

Rated voltage 250 Vac

Rated current 0,3 to 2,0 A

Rated inductance 1,1 to 12 mH

Construction

- Current-compensated ring core double choke with ferrite core
- Polycarbonate case
- Polyurethane potting
- Sector winding

Features

- Vertical and horizontal versions
- Case and potting flame-retardant as per UL 94 V-0
- Approx. 0,8 % stray inductance for symmetrical interference suppression

Applications

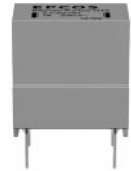
- Compact and narrow electronic ballasts in lamps (T2 lamps)
- Compact, modular and desktop power supplies
- Automation, compact power supplies up to 2 A

Terminals

- Pins 0,5 × 0,5 mm
- Pins fitting standard PCB grid

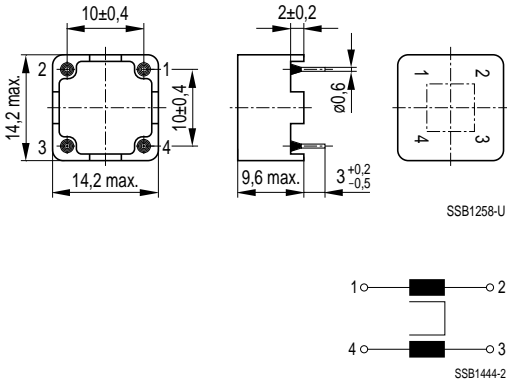
Marking

Manufacturer, ordering code, rated current, rated voltage, rated inductance, graphic symbol, date of manufacture

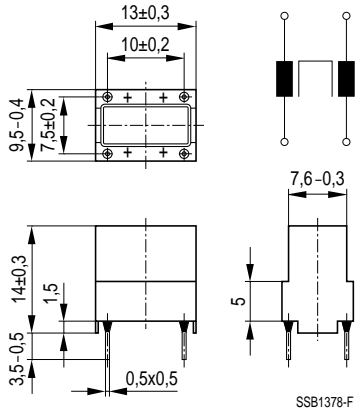


Dimensional drawing and pin configuration

Horizontal version (B82720-A)



Vertical version (B82720-K)


General technical data

Test voltage V_T	1500 Vac, 2 s (line/line)
Rated current I_R	Referred to 50 Hz and 40 °C ambient temperature
Inductance tolerance	- 30/+ 50 %
Weight	Approx. 2,5 g

 For further technical data [see page 334](#)
Characteristics and ordering codes

I_R A	L_R mH	L_S , typ μ H	R_{typ} m Ω	Ordering code	
				horizontal version	vertical version
0,3	12	90	1150	B82720-A2301-N40	B82720-K2301-N40
0,6	4,4	32	430	B82720-A2601-N40	B82720-K2601-N40
1,0	3,0	24	230	B82720-A2102-N40	B82720-K2102-N40
2,0	1,1	7	70	B82720-A2202-N40	B82720-K2202-N40

Impedance $|Z|$ versus frequency f
 (measured with windings in parallel)

