

Structure : Silicon Monolithic Integrated Circuit

Product : 6.1ch Audio Sound Processor

Type : **BD3815KS**

Function : •6ch Master volume (0 to -95dB, MUTE, 1dB/STEP)
 •Tone (-14dB to +14dB, 2dB/STEP) 、 Input gain

○Absolute Maximum Ratings (Ta=25°C)

Item	Symbol	Rating	Unit
Power Supply voltage	VCC-VEE	15	V
Input voltage	VIN	VCC+0.3 to VEE-0.3	V
Power dissipation	Pd	1000※	mW
Operating temperature	Topr	-20 to +75	°C
Storage temperature	Tastg	-55 to +125	°C

※This value decreases 10mW/°C for Ta=25°C or more.

A standard board, 70 × 70 × 1.6mm, shall be mounted.

○Operating Voltage Range (Basic operation shall be available upon Ta=25°C.)

	Symbol	Range	Unit
Power supply (Positive)	VCC-GND	5 to 7.3	V
Power supply (Negative)	VEE-GND	-5 to -7.3	V
Power supply for port	VDD-GND	4 to 6	V

Status of this document

The Japanese version of this document is the formal specification.

A customer may use this translation version only for a reference to help reading the formal version.

If there are any differences in translation version of this document, formal version takes priority.

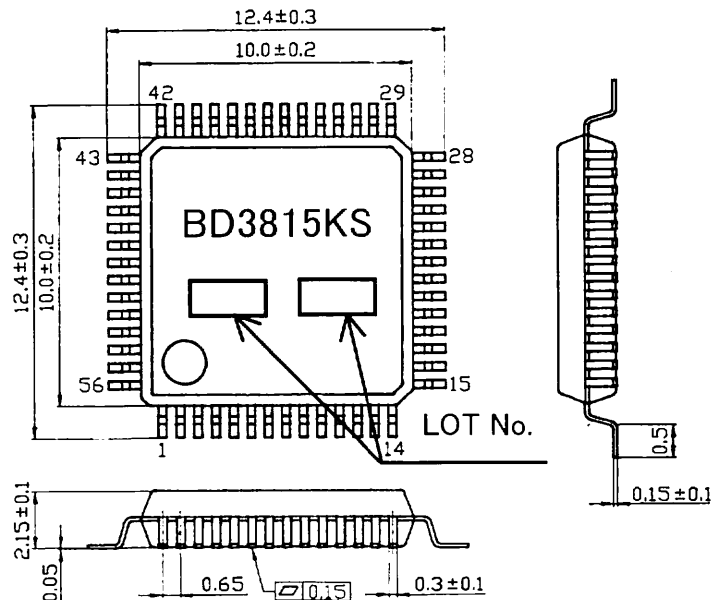
○Electrical Characteristics

Unless specified particularly, Ta=25°C, VCC=7V, VEE=-7V, f=1kHz, VIN=1Vrms, RL=10kΩ, Rg=600Ω
 Input gain=0dB, Master volume=0dB, Bass and Treble=0dB.

Parameter	Symbol	Limit			Unit	Conditions
		Min	Typ	Max		
Circuit current	IQ	—	10	20	mA	No signal
Output voltage gain	Gv	-2	0	2	dB	
Total harmonic distortion ratio	THD	—	0.004	0.05	%	BW=400 to 30kHz
Maximum output voltage	Vomax	3.4	4.2	—	Vrms	THD=1%
Output noise voltage	Vno	—	2.0	12	μVrms	Rg=0Ω, Tone: ON, BW=IHF-A
		—	1.5	8.0	μVrms	Rg=0Ω, Tone: By-pass, BW=IHF-A
Cross-talk between channels	CTC	—	-95	-80	dB	Rg=0Ω, BW=IHF-A
Cross-talk between selectors	CTS	—	-95	-80	dB	Rg=0Ω, BW=IHF-A
Volume control range	GVR	-98	-95	-92	dB	VIN=3Vrms
Volume set error 1	VE1	-2	0	2	dB	0 to -53dB VIN=3Vrms
Volume set error 2	VE2	-3	0	3	dB	-54 to -95dB VIN=3Vrms
Maximum attenuation	Vmin	—	-115	-105	dB	BW=IHF-A VIN=3Vrms
Input gain control range	GIG	16	18	20	dB	VIN=0.4Vrms
Treble maximum boost gain	GTB	12	14	16	dB	f=15kHz, VIN=0.4Vrms
Treble maximum cut gain	GTC	-16	-14	-12	dB	f=15kHz, VIN=0.4Vrms
Bass maximum boost gain	GBB	12	14	16	dB	f=100Hz, Vi=0.4Vrms
Bass maximum cut gain	GBC	-16	-14	-12	dB	f=100Hz, VIN=0.4Vrms
Port H output	PH	4.5	4.9	—	V	VDD=5V, RL=47kΩ

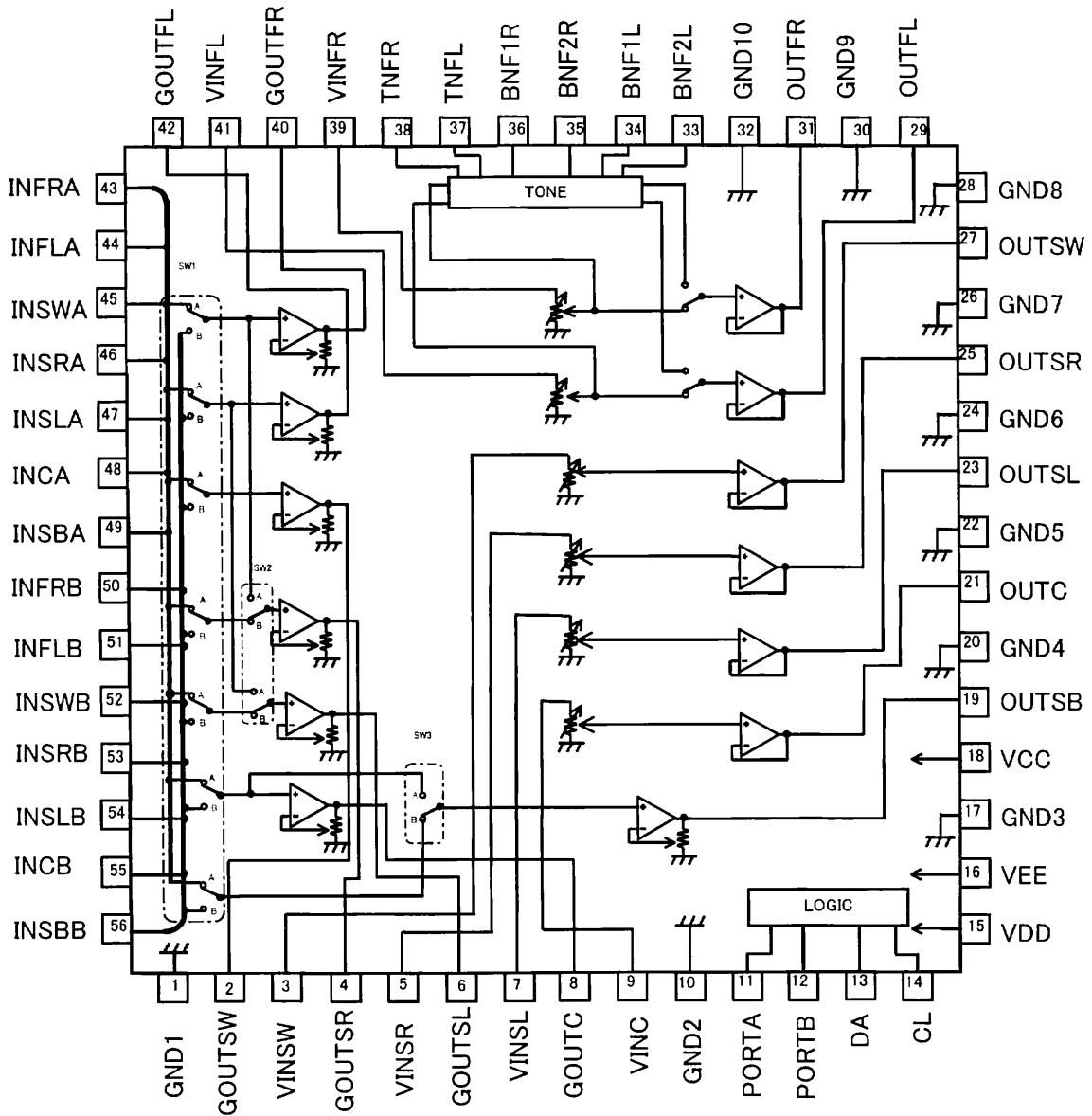
※This product is not of "anti radiation design".

○Outline Dimension



SQFP-56 (Unit: mm)

○Block Diagram



○Terminal Number/ Terminal Name

Terminal Number	Terminal Name	Terminal Number	Terminal Name	Terminal Number	Terminal Name	Terminal Number	Terminal Name
1	GND1	15	VDD	29	OUTFL	43	INFRA
2	GOUTSW	16	VEE	30	GND9	44	INFLA
3	VINSW	17	GND3	31	OUTFR	45	INSWA
4	GOUTSR	18	Vcc	32	GND10	46	INSRA
5	VINSR	19	OUTSB	33	BNF2L	47	INSLA
6	GOUTSL	20	GND4	34	BNF1L	48	INCA
7	VINSL	21	OUTC	35	BNF2R	49	INSBA
8	GOUTC	22	GND5	36	BNF1R	50	INFRB
9	VINC	23	OUTSL	37	TNFL	51	INFLB
10	GND2	24	GND6	38	TNFR	52	INSWB
11	PORTA	25	OUTSR	39	VINFR	53	INSRB
12	PORTB	26	GND7	40	GOUTFR	54	INSLB
13	DA	27	OUTSW	41	VINFL	55	INCB
14	CL	28	GND8	42	GOUTFL	56	INSBB

○Cautions of use

(1) Absolute maximum ratings

If applied voltage, operating temperature range, or other absolute maximum ratings are exceeded, the LSI may be damaged. Do not apply voltages or temperatures that exceed the absolute maximum ratings. If you think of a case in which absolute maximum ratings are exceeded, enforce fuses or other physical safety measures and investigate how not to apply the conditions under which absolute maximum ratings are exceeded to the LSI.

(2) VEE potential

Make the VEE pin voltage such that it is the lowest voltage even when operating below it.

(3) Thermal design

Perform thermal design in which there are adequate margins by taking into account the allowable power dissipation (Pd) in actual states of use.

(4) Operation in strong magnetic fields

Adequately evaluate use in a strong magnetic field, since there is a possibility of malfunction.

Notes

- No technical content pages of this document may be reproduced in any form or transmitted by any means without prior permission of ROHM CO.,LTD.
- The contents described herein are subject to change without notice. The specifications for the product described in this document are for reference only. Upon actual use, therefore, please request that specifications to be separately delivered.
- Application circuit diagrams and circuit constants contained herein are shown as examples of standard use and operation. Please pay careful attention to the peripheral conditions when designing circuits and deciding upon circuit constants in the set.
- Any data, including, but not limited to application circuit diagrams information, described herein are intended only as illustrations of such devices and not as the specifications for such devices. ROHM CO.,LTD. disclaims any warranty that any use of such devices shall be free from infringement of any third party's intellectual property rights or other proprietary rights, and further, assumes no liability of whatsoever nature in the event of any such infringement, or arising from or connected with or related to the use of such devices.
- Upon the sale of any such devices, other than for buyer's right to use such devices itself, resell or otherwise dispose of the same, no express or implied right or license to practice or commercially exploit any intellectual property rights or other proprietary rights owned or controlled by
- ROHM CO., LTD. is granted to any such buyer.
- Products listed in this document are no antiradiation design.

The products listed in this document are designed to be used with ordinary electronic equipment or devices (such as audio visual equipment, office-automation equipment, communications devices, electrical appliances and electronic toys).

Should you intend to use these products with equipment or devices which require an extremely high level of reliability and the malfunction of which would directly endanger human life (such as medical instruments, transportation equipment, aerospace machinery, nuclear-reactor controllers, fuel controllers and other safety devices), please be sure to consult with our sales representative in advance.

About Export Control Order in Japan

Products described herein are the objects of controlled goods in Annex 1 (Item 16) of Export Trade Control Order in Japan.

In case of export from Japan, please confirm if it applies to "objective" criteria or an "informed" (by MITI clause) on the basis of "catch all controls for Non-Proliferation of Weapons of Mass Destruction.

Thank you for your accessing to ROHM product informations.
More detail product informations and catalogs are available,
please contact your nearest sales office.

Please contact our sales offices for details ;

U.S.A / San Diego	TEL : +1(858)625-3630	FAX : +1(858)625-3670
Atlanta	TEL : +1(770)754-5972	FAX : +1(770)754-0691
Dallas	TEL : +1(972)312-8818	FAX : +1(972)312-0330
Germany / Dusseldorf	TEL : +49(2154)9210	FAX : +49(2154)921400
United Kingdom / London	TEL : +44(1)908-282-666	FAX : +44(1)908-282-528
France / Paris	TEL : +33(0)1 56 97 30 60	FAX : +33(0) 1 56 97 30 80
China / Hong Kong	TEL : +852(2)740-6262	FAX : +852(2)375-8971
Shanghai	TEL : +86(21)6279-2727	FAX : +86(21)6247-2066
Dilian	TEL : +86(411)8230-8549	FAX : +86(411)8230-8537
Beijing	TEL : +86(10)8525-2483	FAX : +86(10)8525-2489
Taiwan / Taipei	TEL : +866(2)2500-6956	FAX : +866(2)2503-2869
Korea / Seoul	TEL : +82(2)8182-700	FAX : +82(2)8182-715
Singapore	TEL : +65-6332-2322	FAX : +65-6332-5662
Malaysia / Kuala Lumpur	TEL : +60(3)7958-8355	FAX : +60(3)7958-8377
Philippines / Manila	TEL : +63(2)807-6872	FAX : +63(2)809-1422
Thailand / Bangkok	TEL : +66(2)254-4890	FAX : +66(2)256-6334

Japan /
(Internal Sales)

Tokyo	2-1-1, Yaesu, Chuo-ku, Tokyo 104-0082	TEL : +81(3)5203-0321	FAX : +81(3)5203-0300
Yokohama	2-4-8, Shin Yokohama, Kohoku-ku, Yokohama, Kanagawa 222-8575	TEL : +81(45)476-2131	FAX : +81(45)476-2128
Nagoya	Dainagayo Building 9F 3-28-12, Meieki, Nakamura-ku, Nagoya, Aichi 450-0002	TEL : +81(52)581-8521	FAX : +81(52)561-2173
Kyoto	579-32 Higashi Shiokouji-cho, Karasuma Nishi-iru, Shiokoujidori, Shimogyo-ku, Kyoto 600-8216	TEL : +81(75)311-2121	FAX : +81(75)314-6559

(Contact address for overseas customers in Japan)

Yokohama	TEL : +81(45)476-9270	FAX : +81(045)476-9271
----------	-----------------------	------------------------