

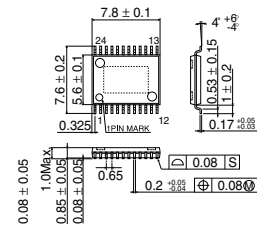
Stepping Motor Driver

BD6775EFV

● Description

BD6775EFV is a general-purpose stepping motor driver for OA Equipment. This driver is a bipolar type, available for 2 phase, 1-2 phase, and W1-2 phase motors.

● Dimension (Unit : mm)



● Features

- 1) MOS FET output(External diode is not necessary.)
- 2) Output OFF time is determined by external C, R value
- 3) High efficiency due to synchronous rectifier drive
- 4) Small and High power package(Exposed PAD)

● Applications

OA Equipment(Printer, Scanner etc...)

● Absolute Maximum Ratings (Ta=25°C)

Parameter	Symbol	Limits	Unit
Supply voltage V_{CC}	V_{CC}	7	V
Supply voltage V_M	V_M	40	V
Input voltage	V_{IN}	V_{CC}	V
Power dissipation	P_d	1.1 ¹	W
Operating temperature range	T_{opr}	-20 to +75	°C
Storage temperature range	T_{stg}	-55 to +150 ²	°C
Junction temperature	T_j	+150	°C
Maximum output current	I_{out}	800	mA

¹ Debating in done at 8.8mW/°C for operating above Ta=25°C. 70mmX70mmX1.6mm glass epoxy board.

² Do not, however exceed P_d , ASO and $T_j=150^\circ\text{C}$.

● Recommended Operating Conditions (Ta=25°C)

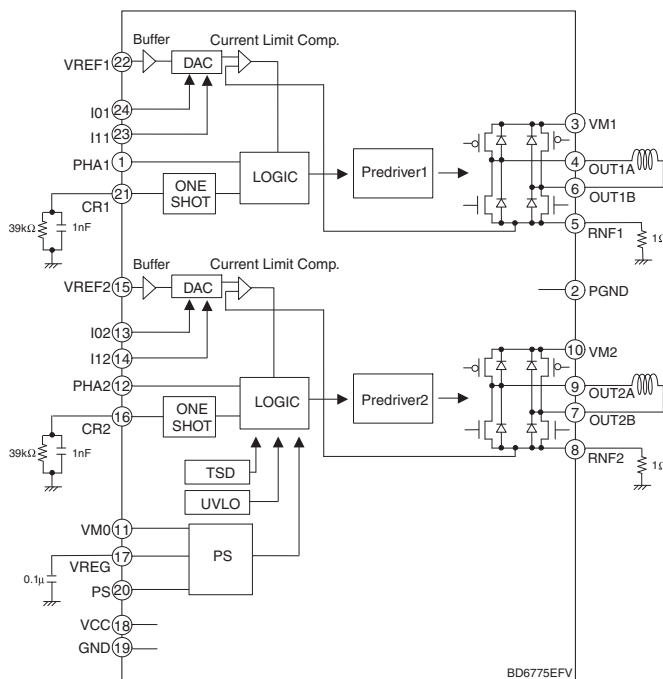
Parameter	Symbol	Min.	Typ.	Max.	Unit
Supply voltage V _{CC}	V _{CC}	4.5	—	6.0	V
Supply voltage V _M	V _M	10	—	37	V

This product described in this specification isn't judged whether it applies to COCOM regulations.
Please confirm in case of export.

● Electrical characteristics (Ta=25°C, V_{CC}=5V, V_M=35V)

Parameter	Symbol	Min.	Typ.	Max.	Unit	Conditions
Circuit current at standby	I _{CCST}	250	360	400	μA	PS=0V
Circuit current	I _{CC}	4.4	5.8	7.2	mA	PS=H
V _M current at standby	I _{VMST}	—	0	10	μA	PS=0V
V _M Circuit current	I _{VM}	2	3	4	mA	PS=H
[Control input]						
H level input voltage	V _{INH}	2.0	—	—	V	PHA1, PHA2, I01, I11, I02, I12
L level input voltage	V _{INL}	—	—	0.8	V	PHA1, PHA2, I01, I11, I02, I12
[Output]						
Output ON Resistance	R _{ON}	—	3	3.6	Ω	I _o =±300mA, Sum of on-resistance of upside and bottom side
Output leak current	I _{LEAK}	—	0	10	μA	
[Current Control Part]						
RNFX input current	I _{RNF}	-2	-0.6	—	μA	RNF=0V
VREFX input current	I _{VREF}	-1	-0.1	—	μA	
VREFX input voltage	V _{REF}	0	—	2.0	V	
Comparator threshold (100%)	C _{THLL}	0.34	0.4	0.46	V	V _{REF} =2V, I _o =L, I ₁ =L
Comparator threshold (67%)	C _{THHL}	0.227	0.267	0.307	V	V _{REF} =2V, I _o =H, I ₁ =L
Comparator threshold (33%)	C _{THLH}	0.133	0.133	0.153	V	V _{REF} =2V, I _o =L, I ₁ =H
Minimum ON time	T _{MINON}	0.3	0.5	1.0	μS	R=39kΩ, C=1nF

● Application Circuit



Notes

- No technical content pages of this document may be reproduced in any form or transmitted by any means without prior permission of ROHM CO.,LTD.
- The contents described herein are subject to change without notice. The specifications for the product described in this document are for reference only. Upon actual use, therefore, please request that specifications to be separately delivered.
- Application circuit diagrams and circuit constants contained herein are shown as examples of standard use and operation. Please pay careful attention to the peripheral conditions when designing circuits and deciding upon circuit constants in the set.
- Any data, including, but not limited to application circuit diagrams information, described herein are intended only as illustrations of such devices and not as the specifications for such devices. ROHM CO.,LTD. disclaims any warranty that any use of such devices shall be free from infringement of any third party's intellectual property rights or other proprietary rights, and further, assumes no liability of whatsoever nature in the event of any such infringement, or arising from or connected with or related to the use of such devices.
- Upon the sale of any such devices, other than for buyer's right to use such devices itself, resell or otherwise dispose of the same, no express or implied right or license to practice or commercially exploit any intellectual property rights or other proprietary rights owned or controlled by
- ROHM CO., LTD. is granted to any such buyer.
- Products listed in this document are no antiradiation design.

The products listed in this document are designed to be used with ordinary electronic equipment or devices (such as audio visual equipment, office-automation equipment, communications devices, electrical appliances and electronic toys).

Should you intend to use these products with equipment or devices which require an extremely high level of reliability and the malfunction of which would directly endanger human life (such as medical instruments, transportation equipment, aerospace machinery, nuclear-reactor controllers, fuel controllers and other safety devices), please be sure to consult with our sales representative in advance.

About Export Control Order in Japan

Products described herein are the objects of controlled goods in Annex 1 (Item 16) of Export Trade Control Order in Japan.

In case of export from Japan, please confirm if it applies to "objective" criteria or an "informed" (by MITI clause) on the basis of "catch all controls for Non-Proliferation of Weapons of Mass Destruction.