

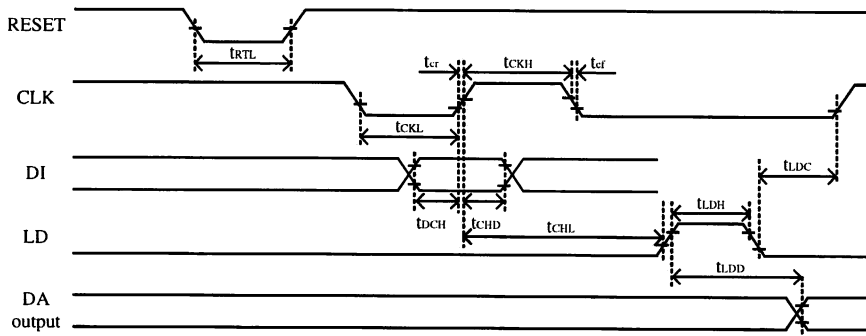
◇Electrical Characteristics (VCC=5V, VrefH=5V, VrefL=0V, Ta=25°C, unless otherwise noted)

Parameter	Symbol	Limits			Unit	Test conditions
		MIN.	TYP.	MAX.		
<<Digital part>>						
Circuit current	ICC	-	0.85	2.8	mA	CLK=10MHz operation, VCC=5V, IAO=0μA
Input leak current	IILK	-5	-	5	μA	VIN=0~VCC
Input low voltage	VIL	-	-	0.8	V	
Input high voltage	VIH	2.0	-	-	V	
Output low voltage	VOL	0	-	0.4	V	IOL=2.5mA
Output high voltage	VOH	4.6	-	5	V	IOH=-2.5mA
<< Analog part >>						
Current dissipation	IrefH	-	4.5	7.5	mA	VrefH =5V, VrefL=0V Data condition:Maximum Current
		-	2.0	3.4	mA(*1)	
D/A converter upper reference voltage range	VrefH	3.0	-	5	V	Reference voltage can not always be set to any value in this range, because it is restricted to the buffer amplifier output voltage range
D/A converter lower reference voltage range	VrefL	0	-	1.5	V	
Buffer amplifier output driver voltage range	VO	0.1	-	4.9	V	IO=±100μA
		0.2	-	4.75		IO=±1.0mA
Buffer amplifier output voltage range	IO	-2	-	2	mA	Upper saturation voltage=0.35V Lower saturation voltage=0.23V
Accuracy	Differential nonlinearity error	SDL	-1.0	-	1.0	LSB
	Nonlinearity error	SL	-3.5	-	3.5	
	Zero code error	SZERO	-25	-	25	mV
	Full scale error	SFULL	-25	-	25	
Buffer amplifier output impedance	RO	-	5	15	Ω	
Pull-up I/O-cell internal R value	Rup	12.5	25	37.5	kΩ	Vin:0V (Resistance value alters by the applied voltage.)

*1 This is a value when the use of the power-on reset function, and CH1 ~ CH4 are specified for the maximum current setting.

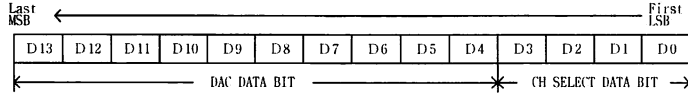
◇Timing characteristic (VCC=5V, VrefH=5V, VrefL=0V, Ta=25°C, unless otherwise noted)

Parameter	Symbol	Limits			Unit	Test conditions
		MIN.	TYP.	MAX.		
The threshold voltage is 80%·20% of VCC						
Reset "L" pulse width	tRTL	50	-	-	nS	
Clock "L" pulse width	tCKL	50	-	-		
Clock "H" pulse width	tCKH	50	-	-		
Clock rise time	tcr	-	-	50		
Clock fall time	tcf	-	-	-		
Data set up time	tDCH	20	-	-		
Data hold time	tCHD	40	-	-		
LD set up time	tCHL	50	-	-		
LD hold time	tLDC	50	-	-		
LD "H" pulse duration	tLDH	50	-	-		
D/A output setting time	tLDD	-	7	20	μS	CL≤1000pF VO:0.5V⇔4.5V The time until the becomes the final value of 1/2 LSB.

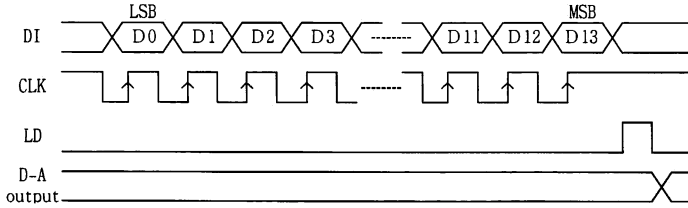


◇ Command transmission

○ DIGITAL DATA FORMAT [data : LSBfirst]



○ TIMING CHART(MODEL)



D3	D2	D1	D0	DAC selection
0	0	0	0	Command for test
0	0	0	1	Command for test
0	0	1	0	AO1 selection
0	0	1	1	AO2 selection
0	1	0	0	Command for test
0	1	0	1	Command for test
0	1	1	0	Command for test
0	1	1	1	Command for test
1	0	0	0	AO3 selection
1	0	0	1	AO4 selection
1	0	1	0	Command for test
1	0	1	1	Command for test
1	1	0	0	Command for test
1	1	0	1	Command for test
1	1	1	0	Command for test
1	1	1	1	Command for test

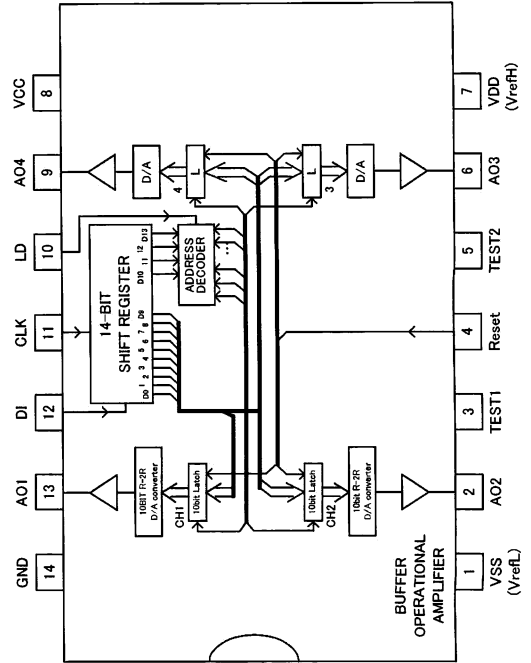
D13	D12	D11	D10	D9	D8	D7	D6	D5	D4	D/A output (VrefH=VDD, VrefL=VSS)
0	0	0	0	0	0	0	0	0	0	VrefL
0	0	0	0	0	0	0	0	0	1	$(VrefH-VrefL)/1024 \times 1 + VrefL$
0	0	0	0	0	0	0	0	1	0	$(VrefH-VrefL)/1024 \times 2 + VrefL$
0	0	0	0	0	0	0	0	1	1	$(VrefH-VrefL)/1024 \times 3 + VrefL$
:	:	:	:	:	:	:	:	:	:	:
1	1	1	1	1	1	1	1	1	0	$(VrefH-VrefL)/1024 \times 1022 + VrefL$
1	1	1	1	1	1	1	1	1	1	$(VrefH-VrefL)/1024 \times 1023 + VrefL$

◇Explanation Of Terminals / Block Diagram

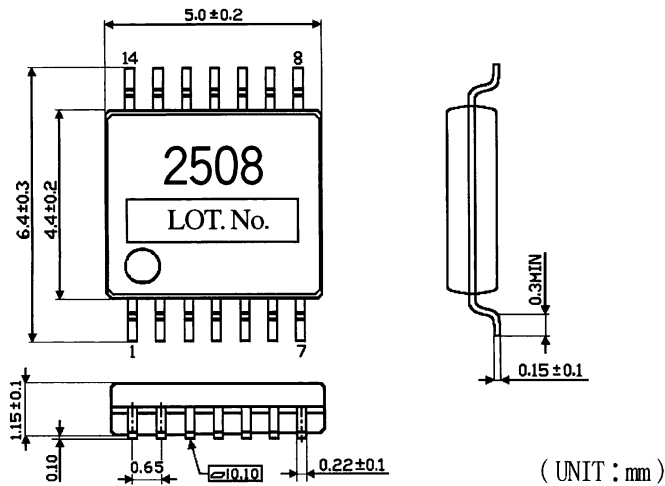
Pin No.	Symbol	Function
1	VSS	D/A converter lower reference voltage input terminal
2	AO2	10bit D/A converter output terminal (CH 2)
3	TEST1	Terminal for test
4	Reset	The analog output of all channels is fixed for "L".
5	TEST2	Terminal for test
6	AO3	10bit D/A converter output terminal (CH 3)
7	VDD	D/A converter upper reference voltage input terminal
8	VCC	Power supply terminal
9	AO4	10bit D/A converter output terminal (CH 4)
10	LD	When H-level signal is input to this terminal, the value stored in 14-bit shift register is loaded in decoder and D/A converter output register
11	CLK	Shift clock input terminal. Input signal at DI pin is input to 14-bit shift register at rise of shift clock pulse
12	DI	Serial data input terminal to input 14-bit long serial data
13	AO1	10bit D/A converter output terminal (CH 1)
14	GND	GND terminal

Please use TEST1 terminal and TEST2 terminal in open condition.

Please refer to directions also when using it.



◇External Dimensions



Notes

- No technical content pages of this document may be reproduced in any form or transmitted by any means without prior permission of ROHM CO.,LTD.
- The contents described herein are subject to change without notice. The specifications for the product described in this document are for reference only. Upon actual use, therefore, please request that specifications to be separately delivered.
- Application circuit diagrams and circuit constants contained herein are shown as examples of standard use and operation. Please pay careful attention to the peripheral conditions when designing circuits and deciding upon circuit constants in the set.
- Any data, including, but not limited to application circuit diagrams information, described herein are intended only as illustrations of such devices and not as the specifications for such devices. ROHM CO.,LTD. disclaims any warranty that any use of such devices shall be free from infringement of any third party's intellectual property rights or other proprietary rights, and further, assumes no liability of whatsoever nature in the event of any such infringement, or arising from or connected with or related to the use of such devices.
- Upon the sale of any such devices, other than for buyer's right to use such devices itself, resell or otherwise dispose of the same, no express or implied right or license to practice or commercially exploit any intellectual property rights or other proprietary rights owned or controlled by
- ROHM CO., LTD. is granted to any such buyer.
- Products listed in this document are no antiradiation design.

The products listed in this document are designed to be used with ordinary electronic equipment or devices (such as audio visual equipment, office-automation equipment, communications devices, electrical appliances and electronic toys).

Should you intend to use these products with equipment or devices which require an extremely high level of reliability and the malfunction of which would directly endanger human life (such as medical instruments, transportation equipment, aerospace machinery, nuclear-reactor controllers, fuel controllers and other safety devices), please be sure to consult with our sales representative in advance.

About Export Control Order in Japan

Products described herein are the objects of controlled goods in Annex 1 (Item 16) of Export Trade Control Order in Japan.

In case of export from Japan, please confirm if it applies to "objective" criteria or an "informed" (by MITI clause) on the basis of "catch all controls for Non-Proliferation of Weapons of Mass Destruction.

Thank you for your accessing to ROHM product informations.
More detail product informations and catalogs are available,
please contact your nearest sales office.

Please contact our sales offices for details ;

U.S.A / San Diego	TEL : +1(858)625-3630	FAX : +1(858)625-3670
Atlanta	TEL : +1(770)754-5972	FAX : +1(770)754-0691
Dallas	TEL : +1(972)312-8818	FAX : +1(972)312-0330
Germany / Dusseldorf	TEL : +49(2154)9210	FAX : +49(2154)921400
United Kingdom / London	TEL : +44(1)908-282-666	FAX : +44(1)908-282-528
France / Paris	TEL : +33(0)1 56 97 30 60	FAX : +33(0) 1 56 97 30 80
China / Hong Kong	TEL : +852(2)740-6262	FAX : +852(2)375-8971
Shanghai	TEL : +86(21)6279-2727	FAX : +86(21)6247-2066
Dilian	TEL : +86(411)8230-8549	FAX : +86(411)8230-8537
Beijing	TEL : +86(10)8525-2483	FAX : +86(10)8525-2489
Taiwan / Taipei	TEL : +866(2)2500-6956	FAX : +866(2)2503-2869
Korea / Seoul	TEL : +82(2)8182-700	FAX : +82(2)8182-715
Singapore	TEL : +65-6332-2322	FAX : +65-6332-5662
Malaysia / Kuala Lumpur	TEL : +60(3)7958-8355	FAX : +60(3)7958-8377
Philippines / Manila	TEL : +63(2)807-6872	FAX : +63(2)809-1422
Thailand / Bangkok	TEL : +66(2)254-4890	FAX : +66(2)256-6334

Japan /
(Internal Sales)

Tokyo	2-1-1, Yaesu, Chuo-ku, Tokyo 104-0082	TEL : +81(3)5203-0321	FAX : +81(3)5203-0300
Yokohama	2-4-8, Shin Yokohama, Kohoku-ku, Yokohama, Kanagawa 222-8575	TEL : +81(45)476-2131	FAX : +81(45)476-2128
Nagoya	Dainagayo Building 9F 3-28-12, Meieki, Nakamura-ku, Nagoya, Aichi 450-0002	TEL : +81(52)581-8521	FAX : +81(52)561-2173
Kyoto	579-32 Higashi Shiokouji-cho, Karasuma Nishi-iru, Shiokoujidori, Shimogyo-ku, Kyoto 600-8216	TEL : +81(75)311-2121	FAX : +81(75)314-6559

(Contact address for overseas customers in Japan)

Yokohama	TEL : +81(45)476-9270	FAX : +81(045)476-9271
----------	-----------------------	------------------------