

BOURNS®

Features

- HIGH PERFORMANCE TERMINATION NETWORK
- Miniaturized circuitry and packaging for space reduction
- Designed for gigabit communication networks
- Controlled impedance

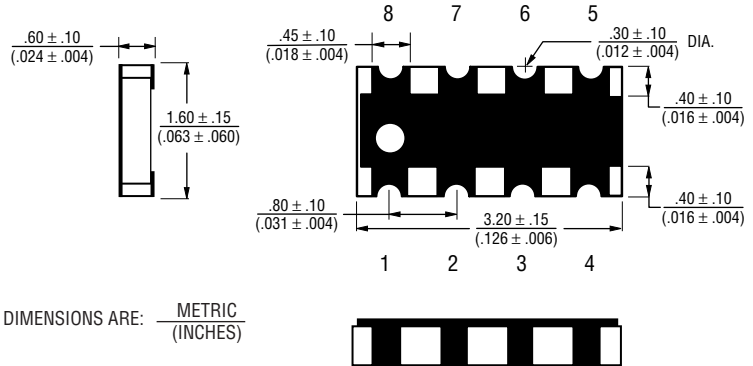
CAT16-LV2F6 - Concave Chip Array

Electrical Characteristics

Resistance

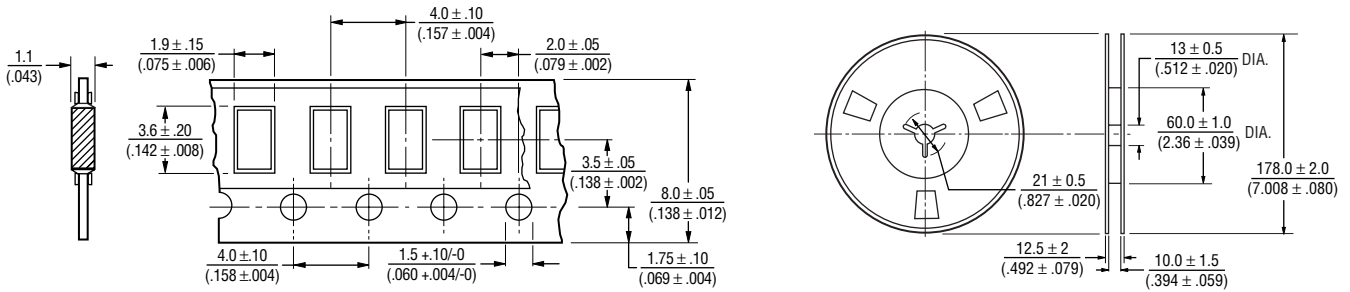
R1	165 ohms
R2	140 ohms
TCR	±200ppm/°C
Temperature Range	-55°C to +125°C
Max. Operating Voltage	5 VDC
Max. Power Resistance0625W
Solderability	>95% Coverage

Product Dimensions

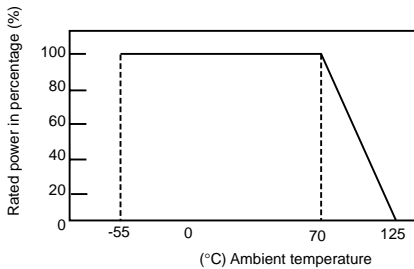


Packaging Specifications

5000 pcs - per 7" reel



Derating Curve



Schematic

