



SOT-23-3L Encapsulate Three Terminal Voltage Regulator

CJ79L08 Three-terminal negative voltage regulator

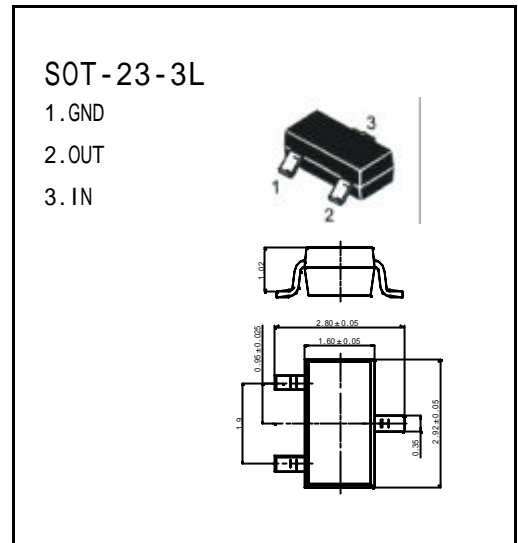
FEATURES

Maximum Output current

I_{OM} : 0.1 A

Output voltage

V_o : -8V



ABSOLUTE MAXIMUM RATINGS (Operating temperature range applies unless otherwise specified)

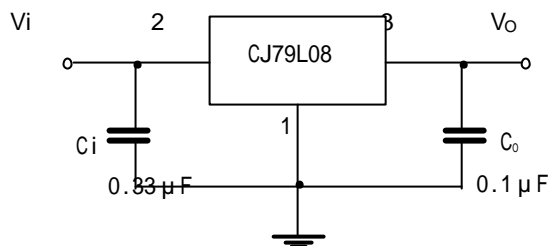
Parameter	Symbol	Value	Units
Input Voltage	V_i	-30	V
Operating Junction Temperature Range	T_{OPR}	0—+125	
Storage Temperature Range	T_{STG}	-55—+150	

ELECTRICAL CHARACTERISTICS

($V_i = -14V, I_o = 40mA, 0 < T_j < 125$, $C_1 = 0.33 \mu F, C_o = 0.1 \mu F$, unless otherwise specified)

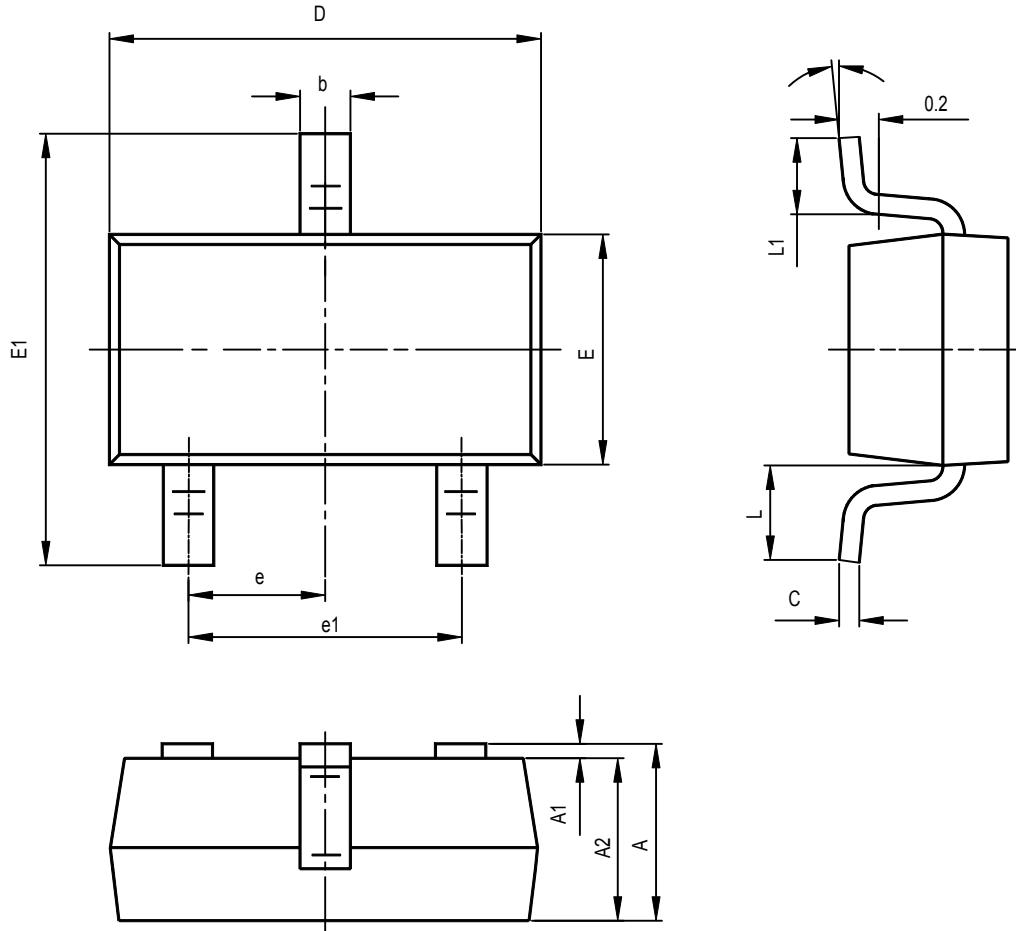
Parameter	Symbol	Test conditions	MIN	TYP	MAX	UNIT
Output voltage	V_o	$V_{IN} = -14V, I_o = 40mA$	-7.7	-8.0	-8.3	V
Line Regulation	$V_o - V_{IN}$	$V_{IN} = -10.5 \sim -23V, I_o = 40mA$		42	200	mV
Load Regulation	$V_o - I_o$	$V_{IN} = -14V, I_o = 1 \sim 100mA$		30	100	mV
Quiescent Current	I_q	$V_{IN} = -14V, I_o = 40mA$			6.0	mA
Ripple Rejection	RR	$V_{IN} = -11V \sim -21V, I_o = 40mA, e_{iN} = 1V_{P-P}, f = 120Hz$	37	46		dB
Output Noise Voltage	V_{NO}	$V_{IN} = -14V, f = 10Hz \sim 100KH, I_o = 40mA$		54		μV

TYPICAL APPLICATION



Note 1: Bypass capacitors are recommended for optimum stability and transient response and should be located as close as possible to the regulators.

SOT-23-3L PACKAGE OUTLINE DIMENSIONS



Symbol	Dimensions In Millimeters		Dimensions In Inches	
	Min	Max	Min	Max
A	1.050	1.250	0.041	0.049
A1	0.000	0.100	0.000	0.004
A2	1.050	1.150	0.041	0.045
b	0.300	0.400	0.012	0.016
c	0.100	0.200	0.004	0.008
D	2.820	3.020	0.111	0.119
E	1.500	1.700	0.059	0.067
E1	2.650	2.950	0.104	0.116
e	0.950TPY		0.037TPY	
e1	1.800	2.000	0.071	0.079
L	0.700REF		0.028REF	
L1	0.300	0.600	0.012	0.024
θ	0°	8°	0°	8°