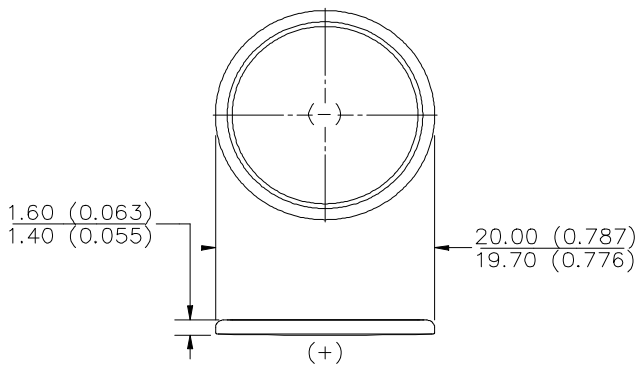


ENERGIZER NO. CR2016



Industry Standard Dimensions in mm (inches)



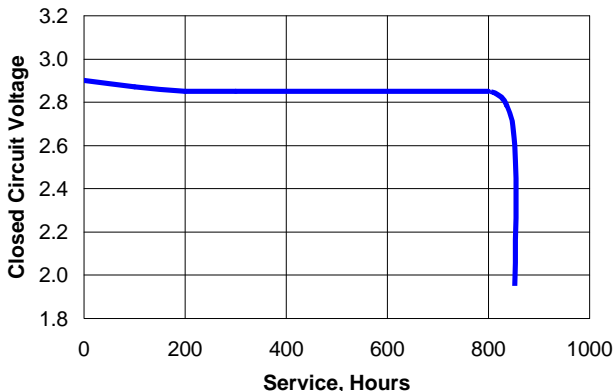
THIS BATTERY HAS UNDERWRITERS LABORATORIES COMPONENT RECOGNITION

Chemical System: Lithium / Manganese Dioxide (Li/MnO₂)

Designation: ANSI / NEDA-5000LC, IEC-CR2016
Battery Voltage: 3.0 Volts
Average Weight: 1.9 grams (0.07 oz.)
Volume: 0.5 cubic centimeters (0.03 cubic inch)
Average Capacity: 80 mAh to 2.0 volts
 (Rated at 30k ohms continuous at 21°C)
Maximum Reverse Charge Current: 1 microampere
Energy Density: 122 milliwatt hr/g, 464 milliwatt hr/cc

TYPICAL DISCHARGE CURVE

Simulated Test @ 21°C (70°F)



Simulated Application Test Estimated Average Service at 21°C (70°F)

Schedule:	Typical Drains at 2.9V (microamperes)	Load (ohms)	Cutoff Voltage
			2.0V
24 hours/day	97	30,000	830 Hours

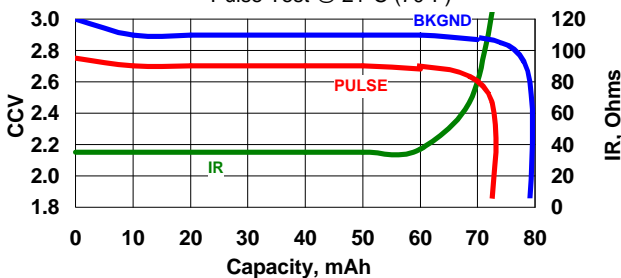
INTERNAL RESISTANCE CHARACTERISTICS

Pulse Test @ 21°C (70°F)

Schedule: Continuous for background
 2 seconds X 12times/day for pulse
Typical Background Drain @ 2.9V (milliamps):
 0.097 milliamperes
Typical Pulse Drain @ 2.6V (milliamps):
 6.50 milliamperes
Background Load:
 30k ohms
Pulse Load:
 400 ohms

IR CHARACTERISTICS

Pulse Test @ 21°C (70°F)



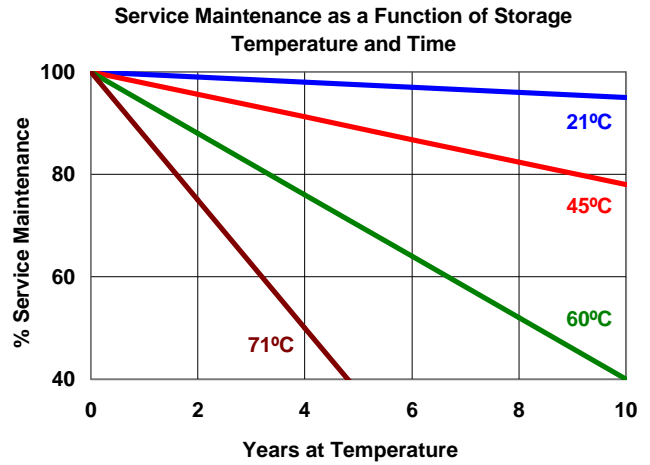
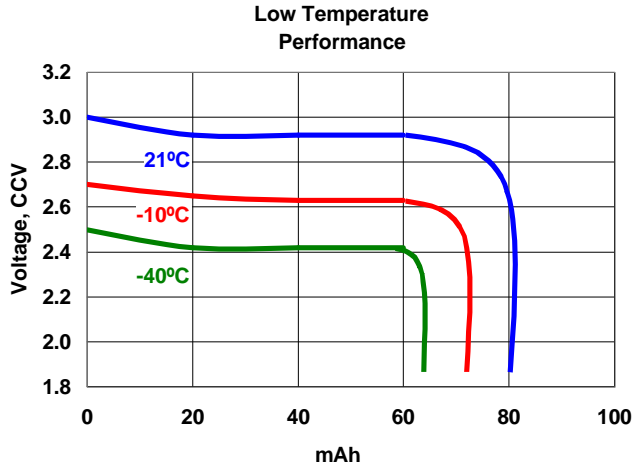
Important Notice

This data sheet contains information specific to batteries manufactured at the time of its publication.

Contents herein do not constitute a warranty.

Copyright © Eveready Battery Co. Inc. - All Rights Reserved

ENERGIZER NO. CR2016



Important Notice

This data sheet contains information specific to batteries manufactured at the time of its publication.

Contents herein do not constitute a warranty.

Copyright © Eveready Battery Co. Inc. - All Rights Reserved