

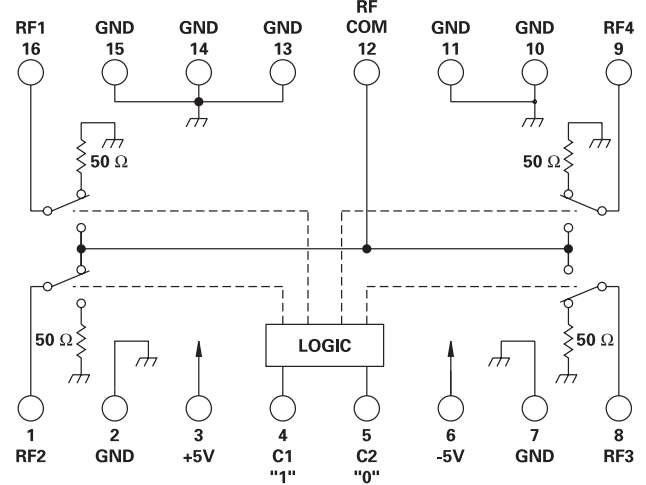
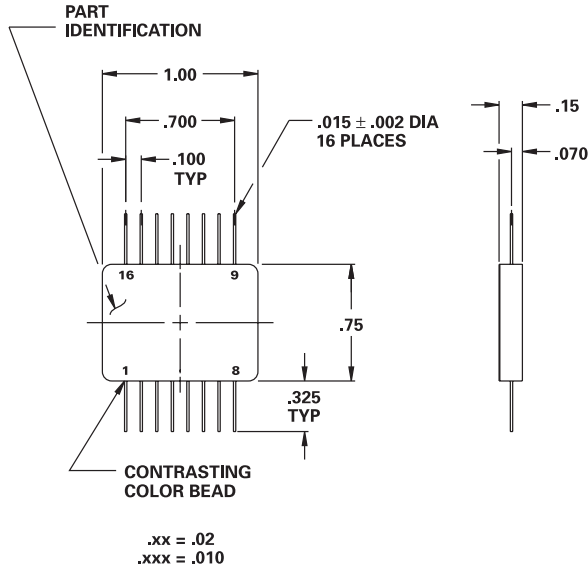
MODEL NUMBER CSW48051

Switch SP4T

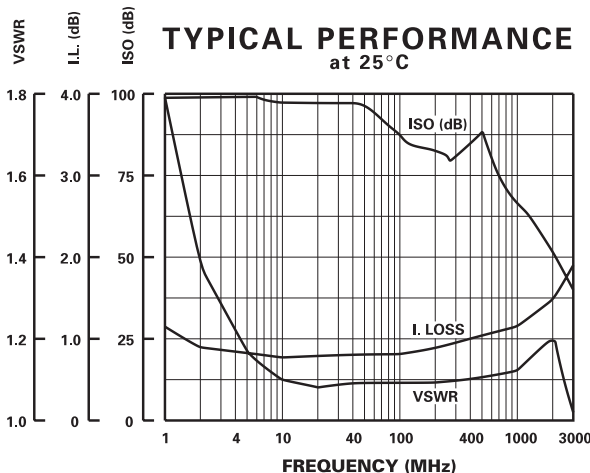
FEATURES

- 20-2800 MHz
- +46 dBm 3rd Order Intercept Point
- 100 nSec Switching Speed
- Flat Pack
- 43 dB Isolation

SP4T



LOGIC TABLE		
CONTROL INPUT		RF COM TO
C2	C1	
0	0	RF1
0	1	RF2
1	0	RF3
1	1	RF4



GUARANTEED PERFORMANCE

Parameter	Min	Typ	Max	Units	Conditions		
Operating Frequency	20		2800	MHz			
DC Current		7.10 0.15	20 10	mA	At +5 VDC Supply At -5 VDC Supply		
Control Type		TTL			See Table		
Control Current		High Low	±1.0 ±1.0	±10 ±10	μA μA	VIH = +2.7 V VIL = +0.5 V	
Insertion Loss			1 1.2 1.8	1.5 2 2.5	dB dB dB	20 - 500 MHz 500 - 1000 MHz 1000 - 2800 MHz	
Isolation	40		43		dB		
VSWR		Thru Termination	1.19/1 1.36/1	1.4/1 1.4/1			
Impedance			50		OHMS		
Switching Speed			30 100		nSec	50% TTL to 90% / 10% RF	
Switching (Video) Transients			78		mV	Peak Value	
Intercept Points		2nd 3rd	+60 +30	+77 +46		dBm dBm	60 / 35 MHz 30 / 35 MHz
RF Power		Operate No Damage	+21 -20	+20 +70		dBm dBm	0.1 dB Compression
Operating Temperature	-20		+25			°C	TA
Storage Temperature	-45		+85			°C	TA