

SHINDENGEN

Super Fast Recovery Rectifiers

Single

D2L40

400V 2A

FEATURES

Low noise
trr50ns
Applicable to Automatic Insertion

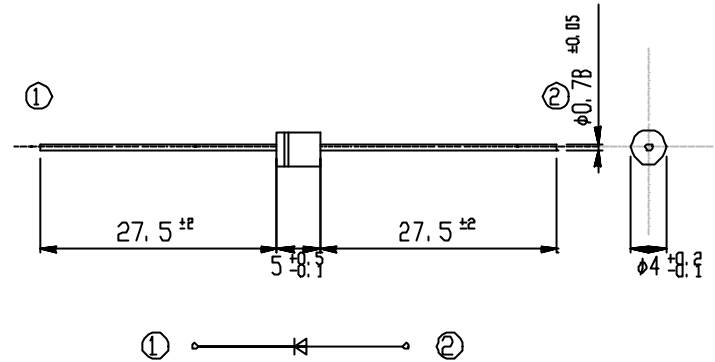
APPLICATION

Switching power supply
Free Wheel
Home Appliances, Office Equipment
Telecommunication, Factory Automation

OUTLINE DIMENSIONS

Case : AX078

(Unit : mm)



RATINGS

Absolute Maximum Ratings (If not specified Tl=25)

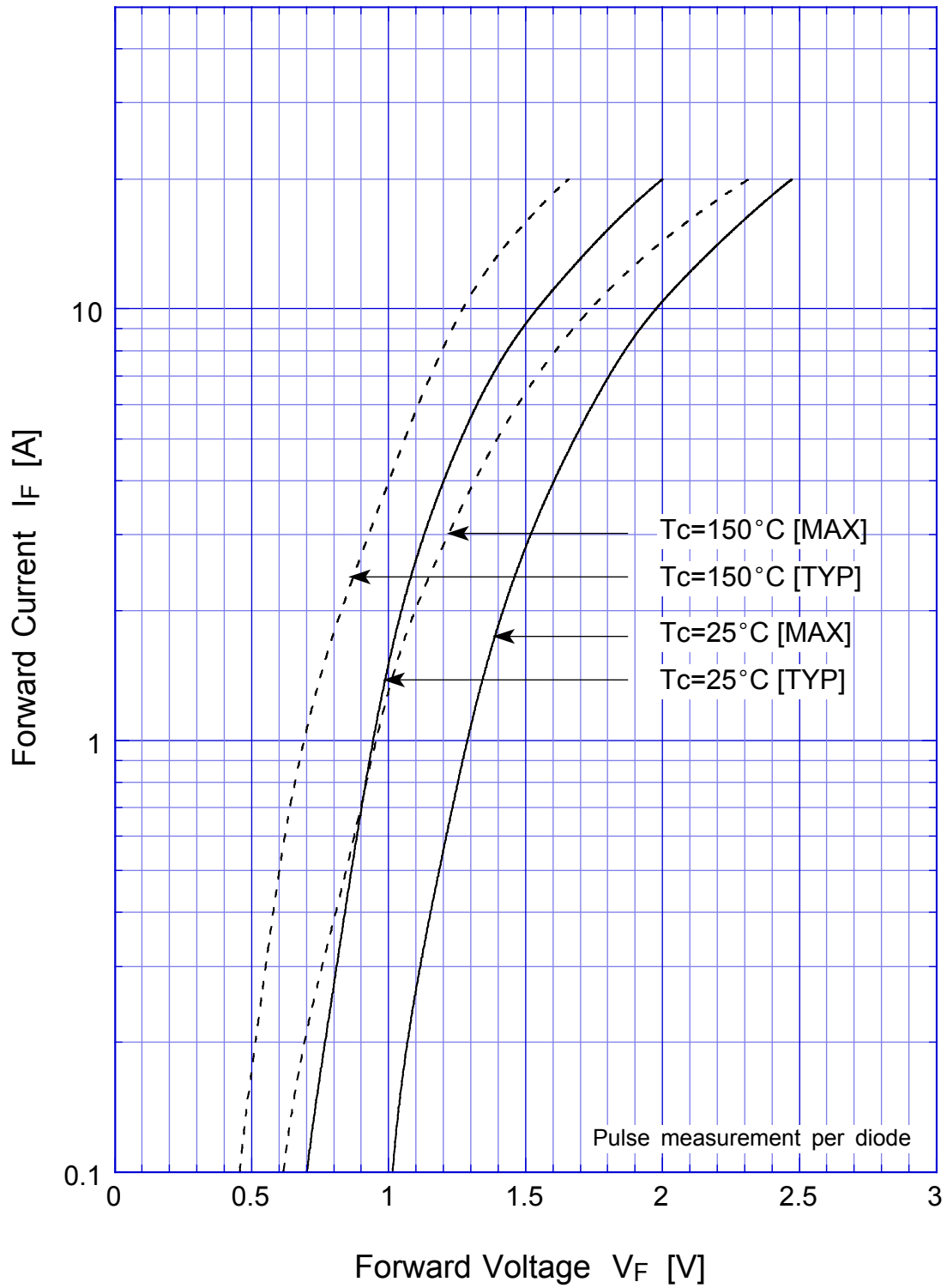
Item	Symbol	Conditions	Ratings	Unit
Storage Temperature	Tstg		-55 ~ 150	
Operating Junction Temperature	Tj		150	
Maximum Reverse Voltage	V _{RM}		400	V
Average Rectified Forward Current	I _O	50Hz sine wave, R-load, Tl=108	1.5	A
Peak Surge Forward Current	I _{FSM}	50Hz sine wave, Non-repetitive 1 cycle peak value, Tj=25	40	A

Electrical Characteristics (If not specified Tl=25)

Item	Symbol	Conditions	Ratings	Unit
Forward Voltage	V _F	I _F =1.1A, Pulse measurement	Max.1.3	V
Reverse Current	I _R	V _R =400V, Pulse measurement	Max.10	μA
Reverse Recovery Time	t _{rr}	I _F =0.5A, I _R =1A	Max.50	ns
Thermal Resistance	θ _{j-l}	junction to lead	Max.17	/W
	θ _{j-a}	junction to ambient	Max.105	

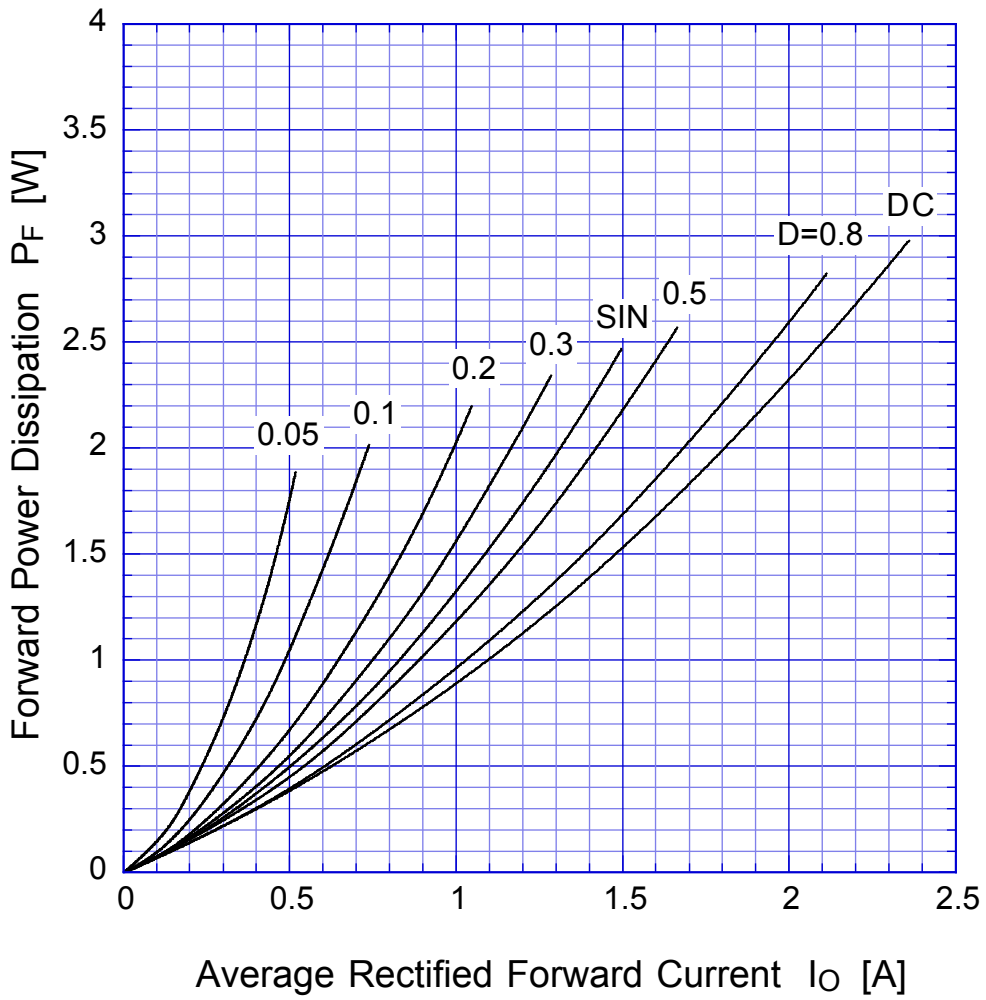
D2L40

Forward Voltage

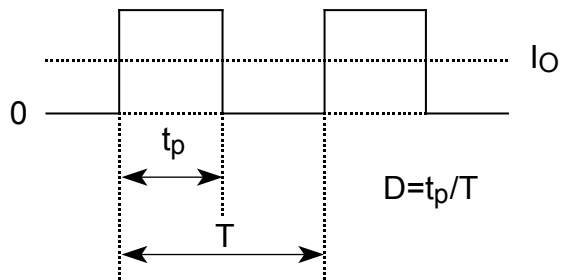


D2L40

Forward Power Dissipation

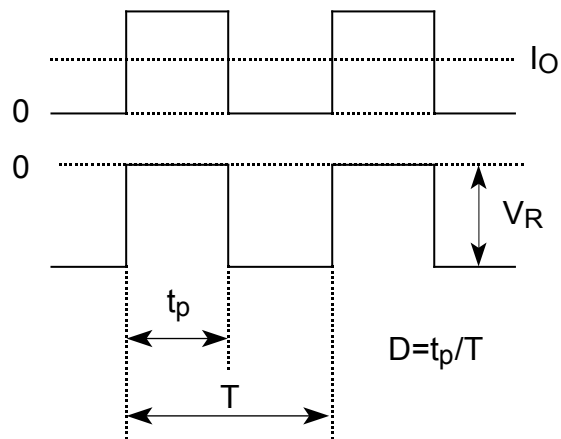
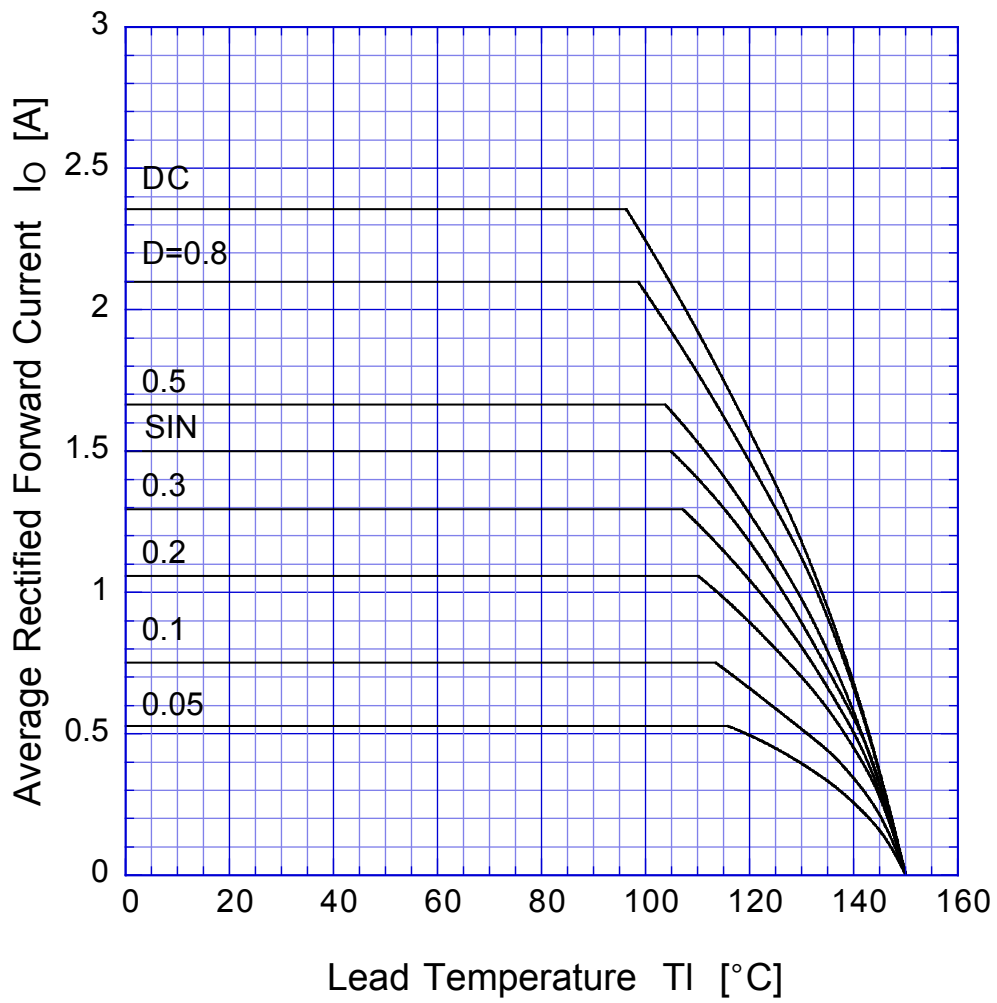


$T_j = 150^\circ\text{C}$



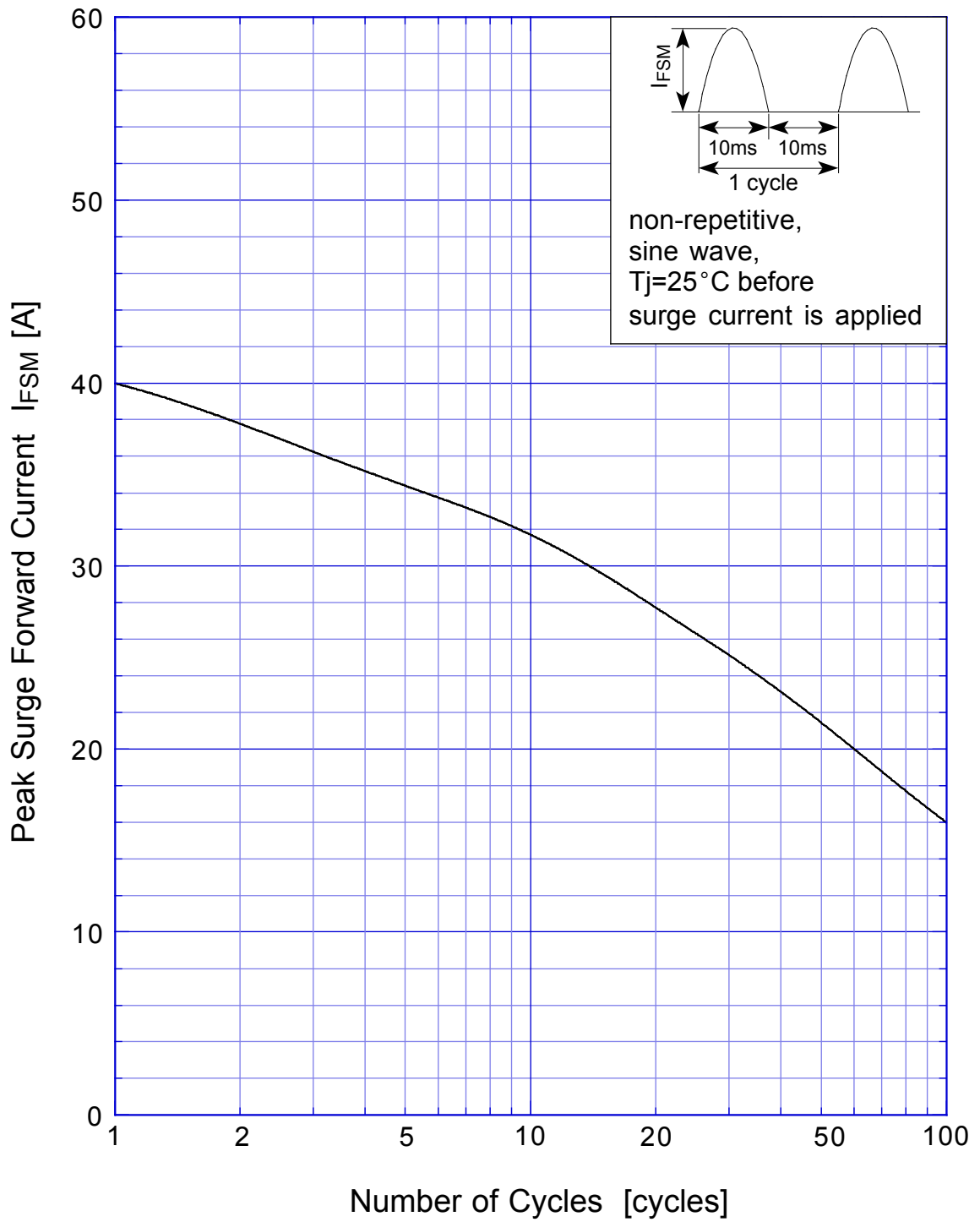
D2L40

Derating Curve



D2L40

Peak Surge Forward Capability



D2L40 Junction Capacitance

