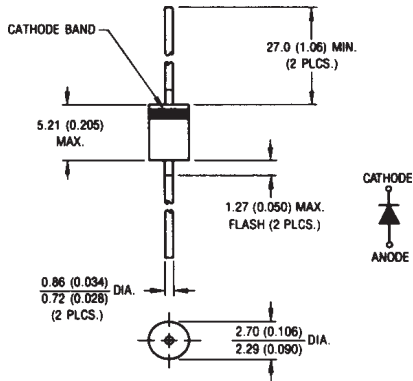
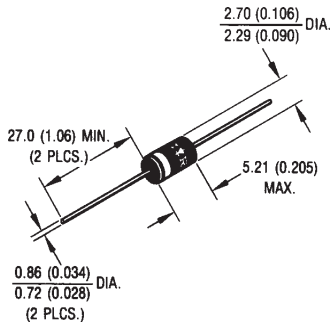


CASE STYLE AND DIMENSIONS



Conform to JEDEC Outline DO-204AL (DO-41)

Dimensions in millimeters and inches