

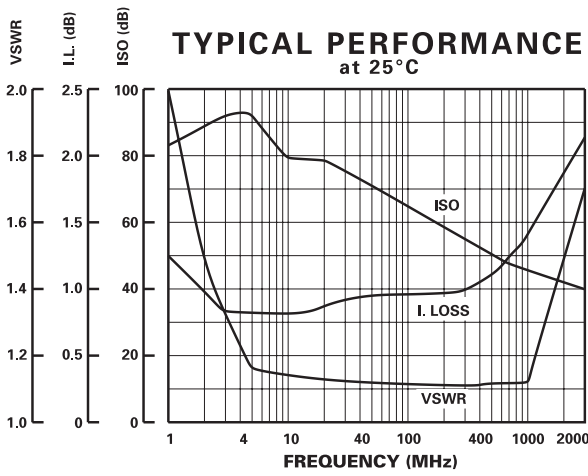
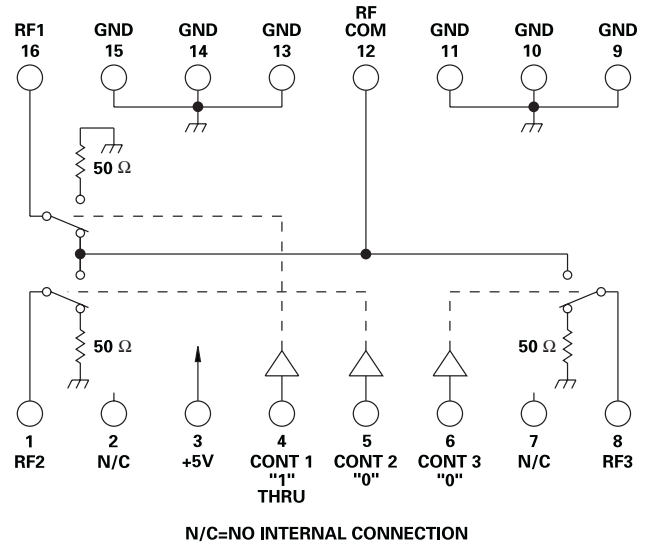
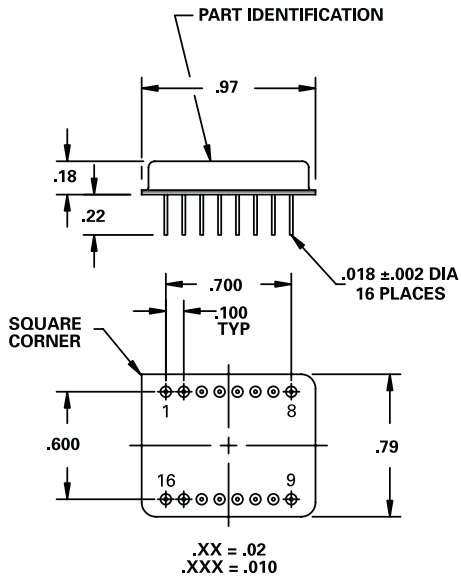
**MODEL NUMBER  
DS0997**

**GaAs SP3T**

**FEATURES**

- 5-2000 MHz
- 10 nSec Transition Time
- 30 nSec Switching Speed
- Non-Reflective
- TTL Drivers
- 16 Pin DIP

**SP3T**



**RF POWER OPERATE COMPRESSION POINT (dBm)**

Frequency (MHz)	0.1 dB		1.0 dB	
	TYP	Max	TYP	Max
5	+11.5	+6	+17.5	+10
20	+14.7	+10	+21.3	+13
50	+16.6	+13	+21.4	+17
500	+17.5	+13	+21.5	+21

**GUARANTEED PERFORMANCE**

Parameter	Min	Typ	Max	Units	Conditions
Operating Frequency	5		2000	MHz	
DC Current		0.3	1	mA	At +5 VDC Supply
CDP		131	200	pF	
Control Type		TTL			3 Lines Logic "1" = Thru Logic "0" = Isolation
Control Current	High Low	1.0 1.0	±10 ±10	μ A	V <sub>IH</sub> = +2.7V V <sub>IL</sub> = +0.5V
Insertion Loss		1.3	1.8	dB	5 - 1000 MHz
		2.1	2.75	dB	1000 - 2000 MHz
Isolation	55	65		dB	5 - 100 MHz
	40	49		dB	100 - 1000 MHz
	35	39		dB	1000 - 2000 MHz
VSWR	Thru	1.2/1	1.5/1		5 - 10 MHz
		1.15/1	1.3/1		10 - 1000 MHz
		1.6/1	2.0/1		1000 - 2000 MHz
Impedance		50		OHMS	
Switching Speed		30	50	nSEC	50% TTL to 90% / 10% RF
Transition (Rise/Fall) Time		10		nSEC	90% / 10% or 10% / 90% RF
Switching (Video) Transients		28	35	mV	Peak Value
Intercept Points	2nd 3rd	+62 +48		dBm	150 MHz / 350 MHz 200 MHz / 250 MHz
RF Power	Operate	+11 +16	+6 +10	dBm	5 - 20 MHz 20 - 2000 MHz
	No Damage		+27	dBm	
Operating Temperature	-55	+25	+125	°C	TA