

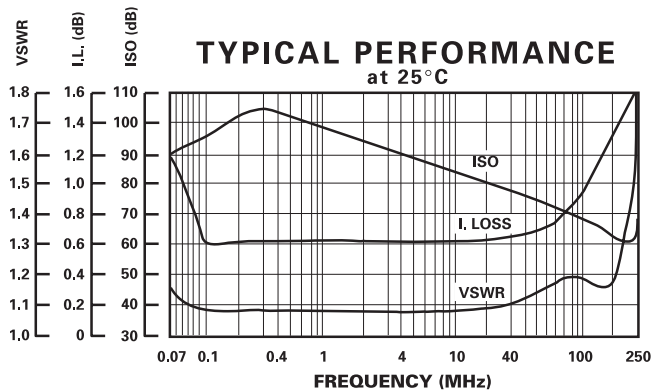
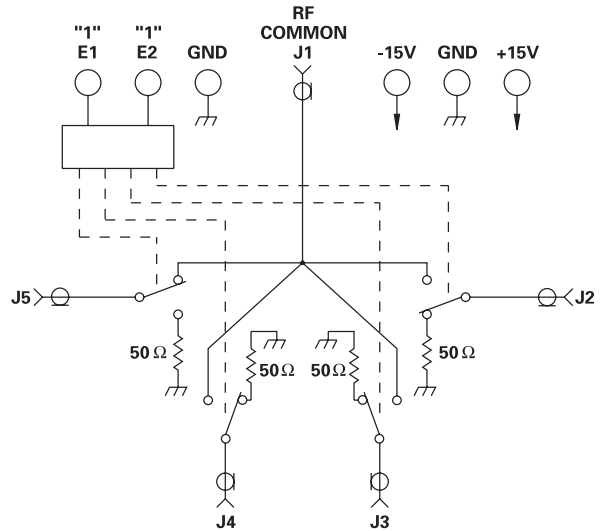
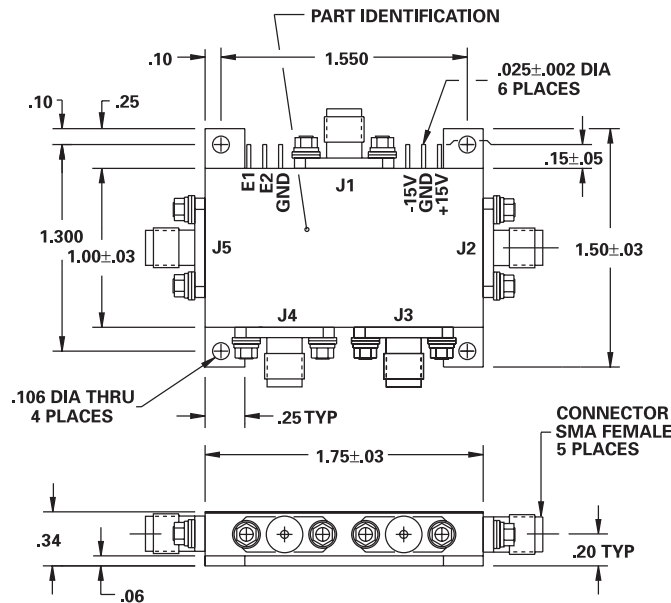
# MODEL NUMBER DSW46190

GaAs SP4T

## FEATURES

- 0.1- 150 MHz
- High Speed
- High Intercept Points
- SMA Connectors

## SP4T



| LOGIC TABLE |    |         |  |
|-------------|----|---------|--|
| E2          | E1 | RF PATH |  |
| 0           | 0  | J1-J2   |  |
| 0           | 1  | J1-J3   |  |
| 1           | 0  | J1-J4   |  |
| 1           | 1  | J1-J5   |  |

## GUARANTEED PERFORMANCE

| Parameter                             | Min              | Typ    | Max   | Units | Conditions                         |
|---------------------------------------|------------------|--------|-------|-------|------------------------------------|
| Operating Frequency                   | 0.1              |        | 150   | MHz   |                                    |
| DC Current                            |                  | 13.2   | 20    | mA    | At +15 VDC Supply                  |
|                                       |                  | 11.1   | 20    | mA    | At -15 VDC Supply                  |
| Control Type                          |                  | TTL    |       |       | See Logic Chart                    |
| Control Current                       | High             | ±1.0   | ±100  | µA    | V <sub>IH</sub> = +2.7V            |
|                                       | Low              | ±1.0   | ±100  | µA    | V <sub>IL</sub> = +0.5V            |
| Isolation                             | 60               | 65     |       | dB    |                                    |
| Insertion Loss                        |                  | 1.2    | 1.4   | dB    |                                    |
| Insertion Loss Variation Port To Port |                  | 0.06   | 0.1   | dB    | Between J2 and any other Port      |
| Phase Difference Port to Port         |                  | 4      | 10    | deg   | Between Port J2 and any other Port |
| VSWR                                  | Thru Termination | 1.17/1 | 1.5/1 |       |                                    |
| Impedance                             |                  | 50     |       | OHMS  |                                    |
| Switching Speed                       |                  | 186    | 500   | nSEC  | 50% TTL to 90% / 10% RF            |
| Transition (Rise/Fall) Time           |                  | 116    |       | nSEC  | 10% / 90% or 90% / 10% RF          |
| Switching (Video) Transients          |                  | 18     |       | mV    | In 3 KHz BW at 1 KHz PRF           |
| Intercept Points                      | 2nd              | +81    | +92   | dBm   | MHz ( Two Tone Outputs             |
|                                       | 3rd              | +36    | +54   | dBm   | At +10 dBm)                        |
| RF Power                              | Operate          | +10.6  | +18   | dBm   | ( 0.1 dB Compression )             |
|                                       | No Damage        | +21.6  | +30   | dBm   | ( 1.0 dB Compression )             |
| Operating Temperature                 | -40              | +25    | +85   | °C    | TA                                 |



DAICO Industries

310.507.3242 • FAX 310.507.5701 • www.daico.com