

LCD - EMI FILTER/TVS ARRAY

APPLICATIONS

- ✓ LCD Displays
- ✓ Cellular Phones
- ✓ Notebooks
- ✓ Personal Digital Assistant (PDA)
- ✓ Ground Positioning System (GPS)
- ✓ SMART Cards

IEC COMPATIBILITY (EN61000-4)

- ✓ 61000-4-2 (ESD): Air - 15kV, Contact - 8kV
- ✓ 61000-4-4 (EFT): 40A - 5/50ns

FEATURES

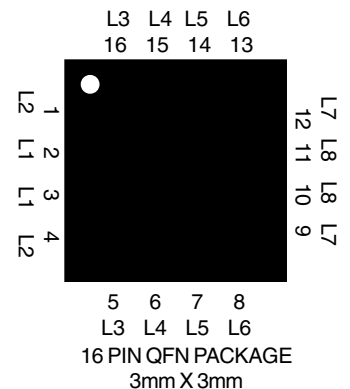
- ✓ ESD Protection > 25 kilovolts
- ✓ Bidirectional EMI Filtering/TVS Low Pass Filters
- ✓ Low Insertion Loss: -3db Roll-Off @ 140MHz
- ✓ Protects Up to Eight(8) Data Lines
- ✓ RoHS Compliant

MECHANICAL CHARACTERISTICS

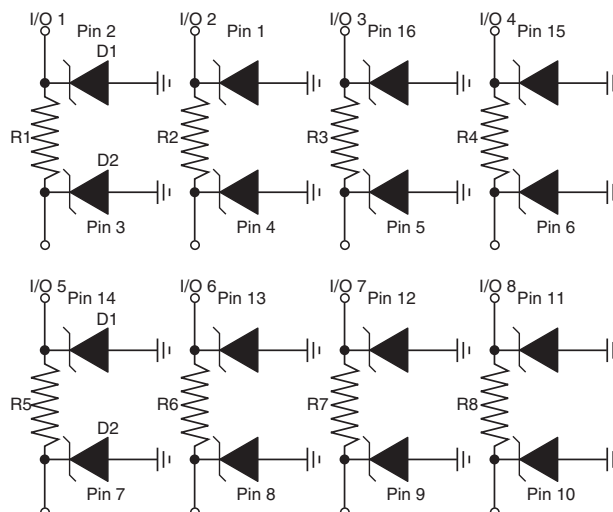
- ✓ QFN-16 Package
- ✓ Weight 0.73 milligrams (Approximate)
- ✓ Available in Lead-Free Pure-Tin Plating(Annealed)
- ✓ Solder Reflow Temperature:
Pure-Tin - Sn, 100: 260-270°C
- ✓ Consult Factory for Leaded Device Availability
- ✓ Flammability Rating UL 94V-0
- ✓ 8mm Tape and Reel Per EIA Standard 481
- ✓ Marking: Logo, Part Number and Pin One Defined By Dot on Package



QFN-16



PIN CONFIGURATION



Note: Center Tab as the Ground.

EM8Q-200

DEVICE CHARACTERISTICS

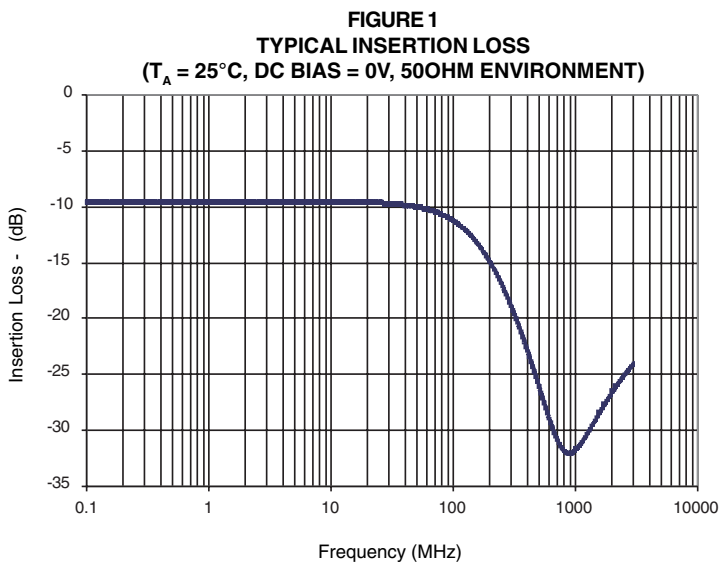
MAXIMUM RATINGS @ 25°C Unless Otherwise Specified

PARAMETER	SYMBOL	VALUE	UNITS
Operating Temperature	T_A	-40 to 85	°C
Storage Temperature	T_{STG}	-55 to 150	°C
DC Power Per Resistor	P	100	mW
Typical Resistance @ ± 15%	R	200	OHMS
Soldering Temperature for 10 seconds	T_L	265	°C

ELECTRICAL CHARACTERISTICS PER LINE @ 25°C Unless Otherwise Specified

PART NUMBER	RATED STAND-OFF VOLTAGE V_{WM} VOLTS	MINIMUM BREAKDOWN VOLTAGE @ 1mA V_{BR} VOLTS	MAXIMUM LEAKAGE CURRENT @ 3V I_b μA	TYPICAL FORWARD VOLTAGE @ 10mA V_F VOLTS	MINIMUM ATTENUATION @ 800-3000 MHz dB	CUT-OFF FREQUENCY (50 Ohms I/O) ZERO BIAS f _c MHz	TYPICAL CAPACITANCE PER LINE @ 2.5V, 1 MHz C pF
EM8Q-200	5.0	6.0	0.1	0.8	25	140	20

Note 1: ±20% tolerance.



GRAPHS

FIGURE 2
RESISTANCE VS TEMPERATURE
(Normalized to Resistance at 25°C)

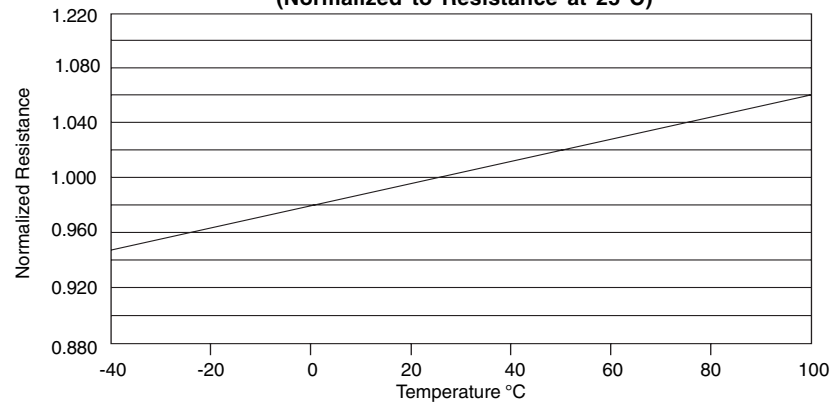
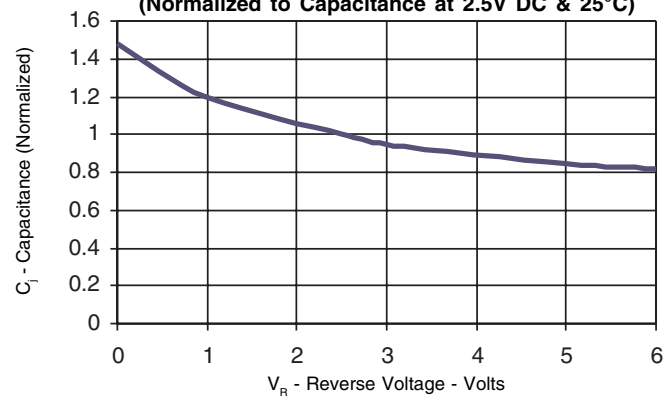


FIGURE 3
CAPACITANCE VS REVERSE VOLTAGE
(Normalized to Capacitance at 2.5V DC & 25°C)



EM8Q-200

QFN-16 PACKAGE OUTLINE & DIMENSIONS

PACKAGE OUTLINE

TOP VIEW **SIDE VIEW**

PACKAGE DIMENSIONS

DIM	MILLIMETERS	INCHES
A	3.000 SQ	0.1181 SQ
B	1.70 SQ ± 0.050	0.067 SQ ± 0.002
C	1.500	0.059
D	0.500 BSC	0.0196 BSC
E	0.230 ± 0.05	0.009 ± 0.002
F	0.400 ± 0.05	0.0157 ± 0.002
G	0.750 ± 0.05	0.0295 ± 0.002
H	0.000 - 0.05	0.000 - 0.002
I	0.203 ± 0.025	0.0079 ± 0.001

NOTES:
 1. Controlling dimensions in inches.
 2. Decimal tolerances for mounting pad and outline: .xxx ± 0.05mm (± 0.002").

TAPE & REEL ORDERING NOMENCLATURE

- Surface mount product is taped and reeled in accordance with EIA 481.
- Suffix-T73 = 7 Inch Reels - 3,000 pieces per 12mm tape, i.e., EM8Q-200-T73.
- Suffix-T13 = 13 Inch Reels - 10,000 pieces per 12mm tape, i.e., EM8Q-200-T13.
- Suffix-LF = Pure Tin Plating, i.e., EM8Q-200-LF-T73.

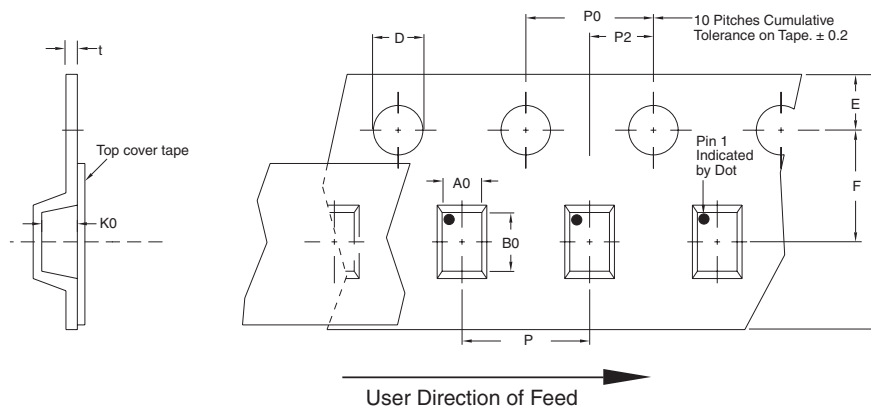
MOUNTING PAD

TYPICAL		
DIM	Millimeters	Inches
1	4.000	0.1574
2	0.700	0.0275
3	1.000	0.0393
4	0.500	0.0196
5	0.300	0.0118

Outline & Dimensions: Rev 0 - 10/06, 06054

Tape & Reel Specifications (Dimensions in millimeters)

Reel Dia.	Tape Width	A0	B0	K0	D	E	F	W	P0	P2	P	tmax
178mm (7")/330mm(13")	12mm	3.30± 0.10	3.30± 0.10	1.00 ± 0.10	1.50 ± 0.10	1.75 ± 0.10	5.50 ± 0.10	12.00 ± 0.30	4.00 ± 0.10	2.00 ± 0.05	8.00 ± 0.10	0.25



COPYRIGHT © ProTek Devices 2006

SPECIFICATIONS: ProTek reserves the right to change the electrical and or mechanical characteristics described herein without notice (except JEDEC).

DESIGN CHANGES: ProTek reserves the right to discontinue product lines without notice, and that the final judgement concerning selection and specifications is the buyer's and that in furnishing engineering and technical assistance, ProTek assumes no responsibility with respect to the selection or specifications of such products.

ProTek Devices
 2929 South Fair Lane, Tempe, AZ 85282
 Tel: 602-431-8101 Fax: 602-431-2288
 E-Mail: sales@protekdevices.com
 Web Site: www.protekdevices.com