

E-Series RF 1:1 Transformer

760 - 960 MHz

ETC1-1-6

V3.00

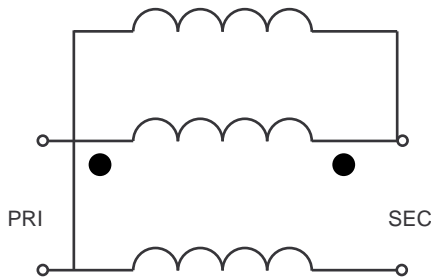
Features

- Surface Mount
- 1:1 Impedance Ratio

Description

M/A-COM's ETC1-1-6 is a 1:1 RF transformer in a low-cost, surface mount package. Ideally suited for high volume cellular and wireless applications.

Schematic



Specifications @ 25°C

Frequency Range: 760 - 960 MHz

Parameter	Maximum	Mean (x)	Sigma (σ)
Insertion Loss ($f_L - f_U$) 760 - 960 MHz	2.0 dB	0.22	0.096
Amplitude Unbalance 760 - 960 MHz	1.2 dB	—	—
Phase Unbalance 760 - 960 MHz	5°	—	—

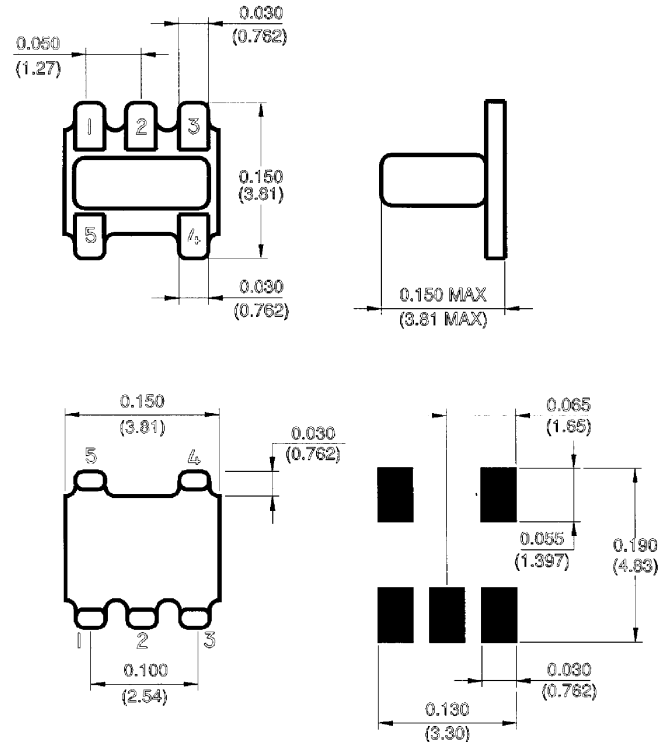
Note: Mean and sigma calculated from average loss at @ $(f_U - f_L)/2 + f_L$.

Ordering Information

Part No.
ETC1-1-6
ETC1-1-6TR

Packaging
Tubes
Tape & Reel

SM-22



Dimensions in () are in mm.
 Unless Otherwise Noted: .x = ± 0.04 (1.00)
 .xx = ± 0.02 (0.50)
 .xxx = ± 0.010 (0.250)

Pin Configuration

Pin No.	Function
1	Secondary dot
2	Not connected
3	Secondary
4	Primary
5	Primary dot

S 0758 E

Specifications Subject to Change Without Notice.

M/A-COM, Inc.

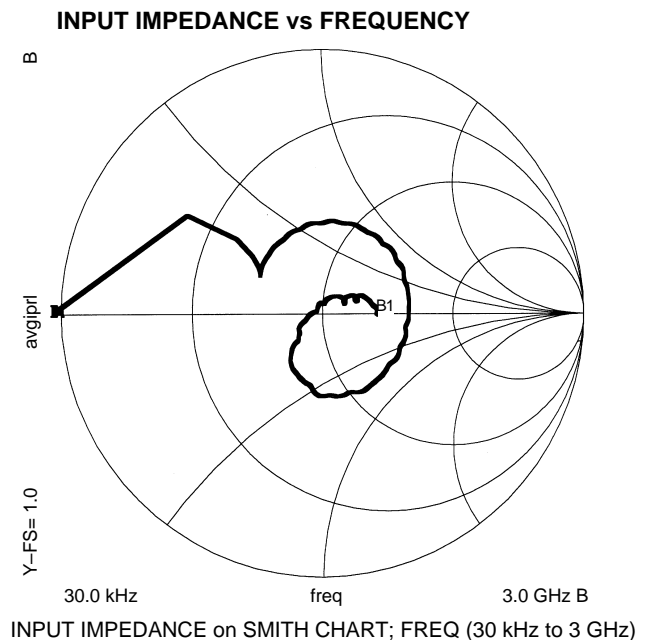
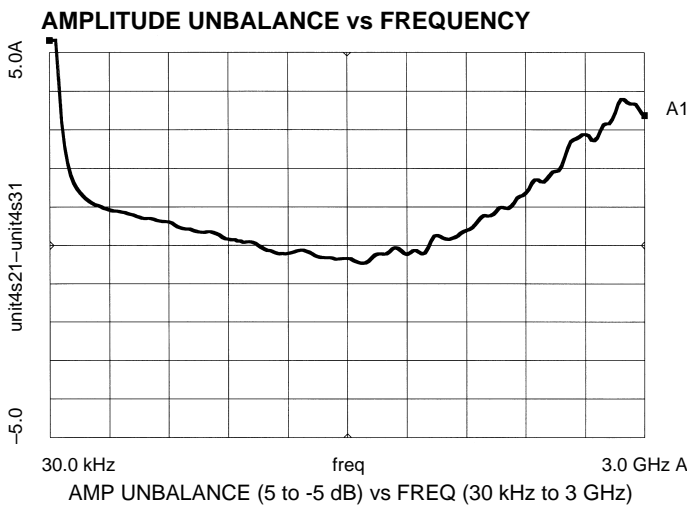
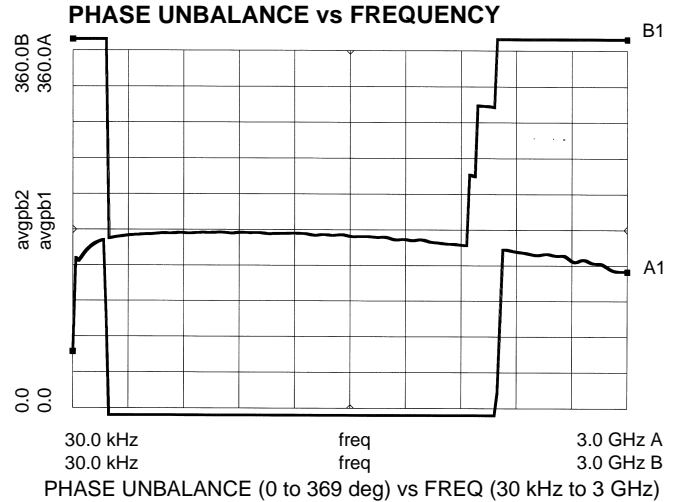
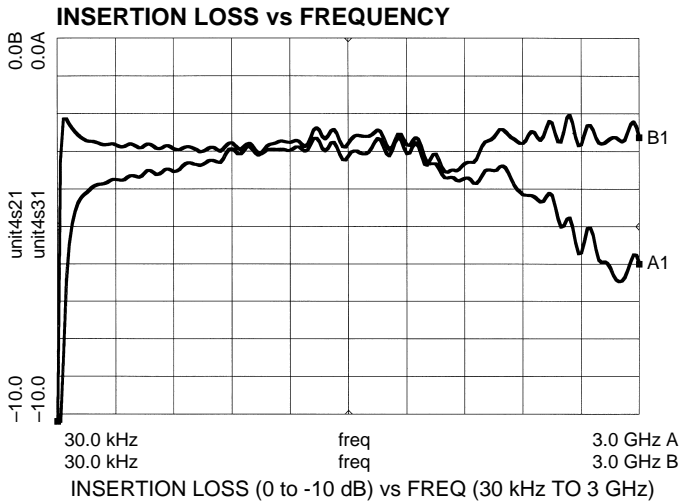
North America: Tel. (800) 366-2266 ■ Asia/Pacific: Tel. +81 (03) 3226-1671 ■ Europe: Tel. +44 (1344) 869 595
 Fax (800) 618-8883 Fax +81 (03) 3226-1451 Fax +44 (1344) 300 020

Absolute Maximum Ratings

Parameter	Absolute Maximum
Parameter	Absolute Maximum
RF Power	250 mW
DC Current	30 mA
Operating/Storage Temp.	-20°C to +85°C

Typical Performance

Over Extended Bandwidth (30 kHz - 3 GHz)



Note: All measurements performed on Hewlett Packard 8753D Network Analyzer (201 sample points, linear scale) in a 50 ohm coplanar waveguide environment. Tables created using MDS software.

S-Parameter data available by E-Mail. Send your request to: eurotec@corp.macom.com.

Specifications Subject to Change Without Notice.