

Customer Name	<b>Standard Specification</b>	FUJITSU MEDIA DEVICES LIMITED	
System	TV-IF	DATE	Jun. 30, 2003
FMD Part Number	FAR-K4SH-36M125-F001	Version_1.2a	<b>Preliminary</b>

*Under development*

**Table 1. Electrical specifications (Channel 1:Bw = 6MHz)**

Pin No.1&2=INPUT, Pin No.3=GROUND

<b>Ta=25°C</b>							
Item	Condition (MHz)	FMD Proposal			Unit	Remarks	
		Min.	Typ.	Max.			
Insertion Loss	36.125	-	21.6	-	dB		
Band Width	3dB down	-	6.0	-	MHz		
	30dB down	-	7.6	-	MHz		
Relative Attenuation	33.125	-	-3.4	-	dB		
	33.595	-	0.0	-	dB		
	36.125	-	0	-	dB	Ref.	
	38.655	-	0.2	-	dB		
	39.125	-	-2.6	-	dB		
	Lower sidelobe	25.000 - 30.125	-	-37	-	dB	
		30.125 - 32.125	-	-34	-	dB	
	Upper sidelobe	40.125 - 42.125	-	-29	-	dB	
	42.125 - 50.000	-	-37	-	dB		
Amplitude Ripple (p-p)	33.125 - 39.125	-	0.8	-	dB		
Group delay Ripple (p-p)	33.125 - 39.125	-	70	-	ns		
Capacitance at 1MHz	Cin	-	18.0	-	pF		
	Cout	-	4.3	-	pF		
Temperature drift	Cf	-	-72	-	ppm/°C		

Customer Name	Standard Specification	FUJITSU MEDIA DEVICES LIMITED	
System	TV-IF	DATE	Jun. 30, 2003
FMD Part Number	FAR-K4SH-36M125-F001	Version_1.2a	<b>Preliminary</b>

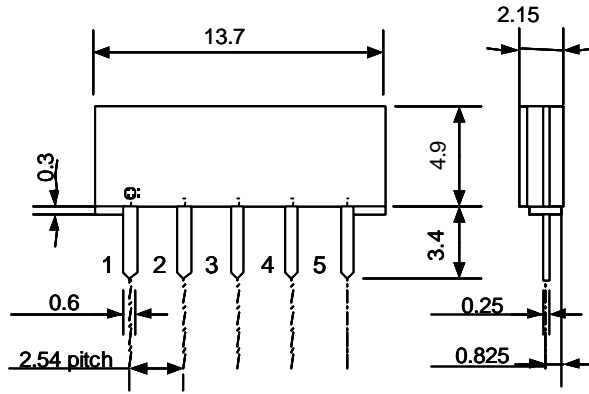
*Under development*

**Table 2. Electrical specifications (Channel 2:Bw = 8MHz)**

Pin No.1INPUT, Pin No.2&3=GROUND

Ta=25 °C							
Item	Condition (MHz)	FMD Proposal			Unit	Remarks	
		Min.	Typ.	Max.			
Insertion Loss	36.125	-	21.1	-	dB		
Band Width	1dB down	-	7.5	-	MHz		
	3dB down	-	7.9	-	MHz		
	30dB down	-	9.5	-	MHz		
Relative Attenuation	31.250	-	-34	-	dB		
	32.130	-	-4.2	-	dB		
	32.320	-	-1.9	-	dB		
	36.125	-	0	-	dB	Ref.	
	39.930	-	-0.7	-	dB		
	40.130	-	-2.7	-	dB		
	40.900	-	-38	-	dB		
	47.250	-	-48	-	dB		
	Lower sidelobe	25.000 - 30.125	-	-32	-	dB	
	Upper sidelobe	42.125 - 50.000	-	-33	-	dB	
Amplitude Ripple (p-p)	32.650 - 39.600	-	0.7	-	dB		
Group delay Ripple (p-p)	32.650 - 39.600	-	40	-	ns		
Capacitance at 1MHz	Cin	-	23.5	-	pF		
	Cout	-	4.3	-	pF		
Temperature drift	Cf	-	-72	-	ppm/°C		

Customer Name	Standard Specification	FUJITSU MEDIA DEVICES LIMITED	
System	TV-IF	DATE	Jun. 30, 2003
FMD Part Number	FAR-K4SH-36M125-F001	Version_1.2a	<b>Preliminary</b>



Pin No. 1	INPUT
2:	SWITCHING
3:	GROUND
4:	OUTPUT
5:	OUTPUT

Figure 1. Package Dimension

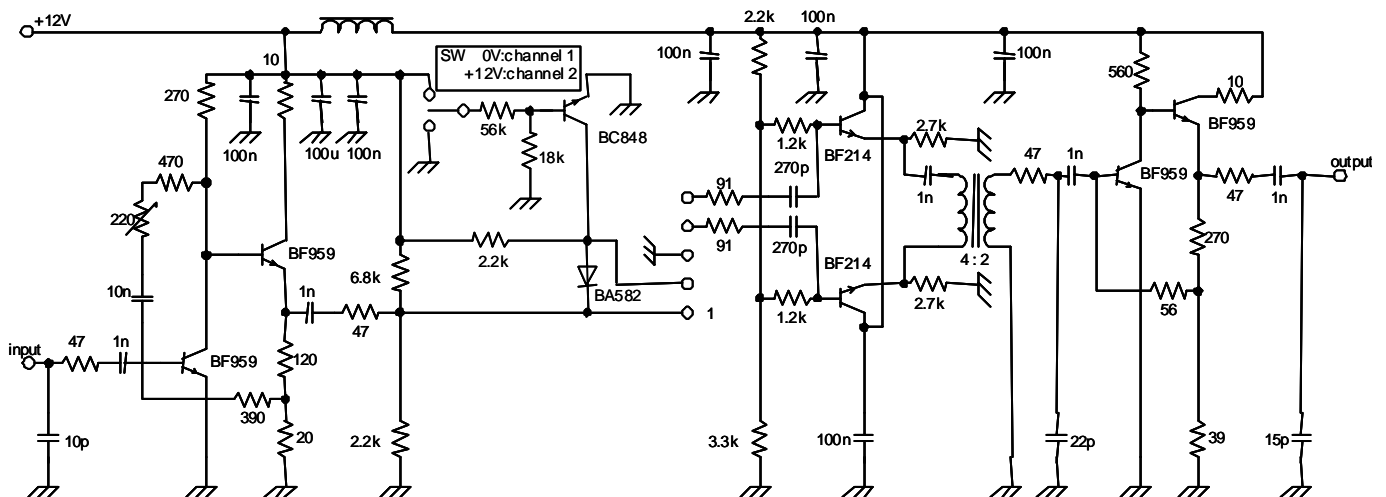
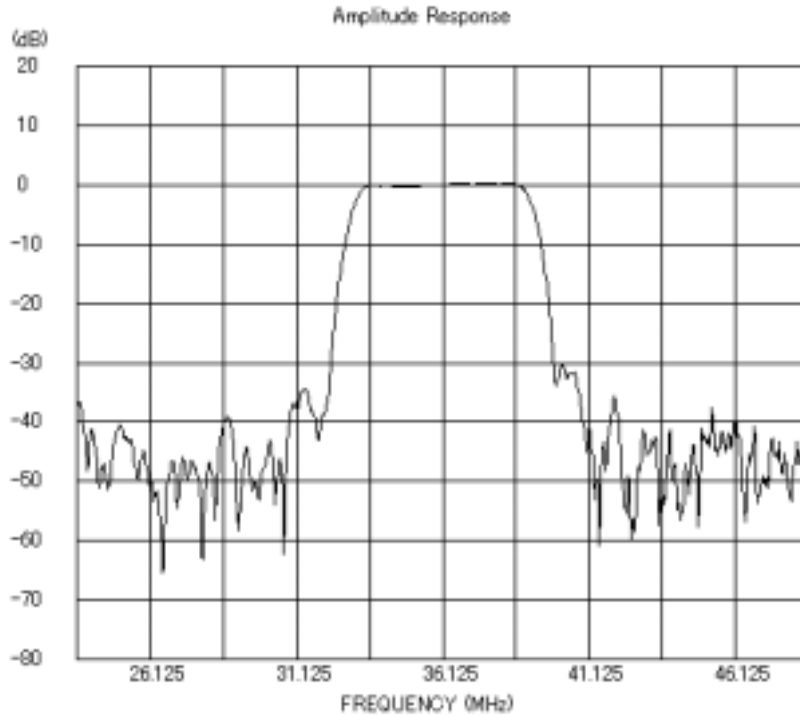


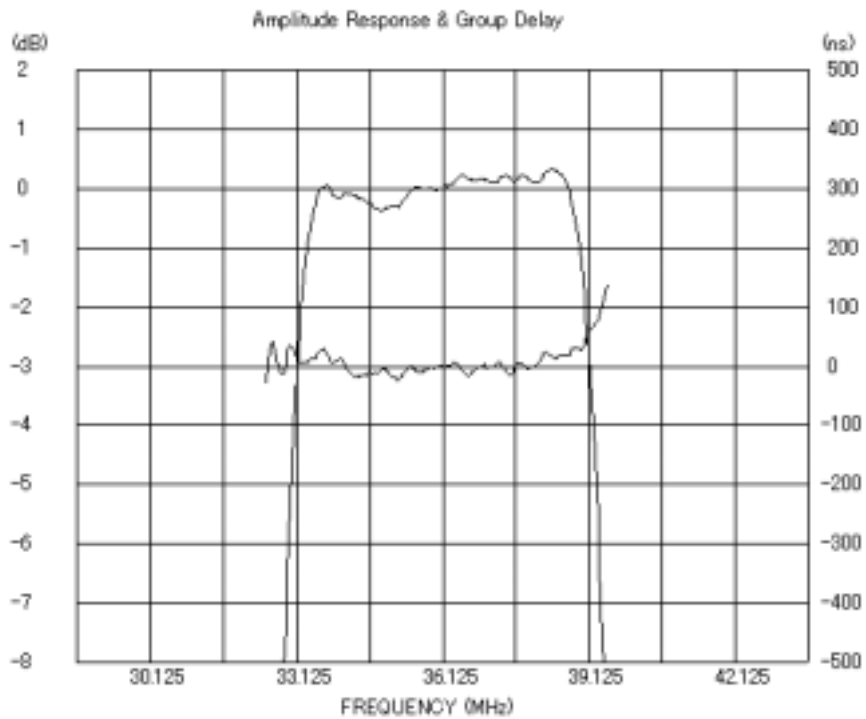
Figure 2. Measurement Circuit

Customer Name	<b>Standard Specification</b>	FUJITSU MEDIA DEVICES LIMITED	
System	TV-IF	DATE	Jun. 30, 2003
FMD Part Number	FAR-K4SH-36M125-F001	Version_1.2a	<b>Preliminary</b>

*Under development*



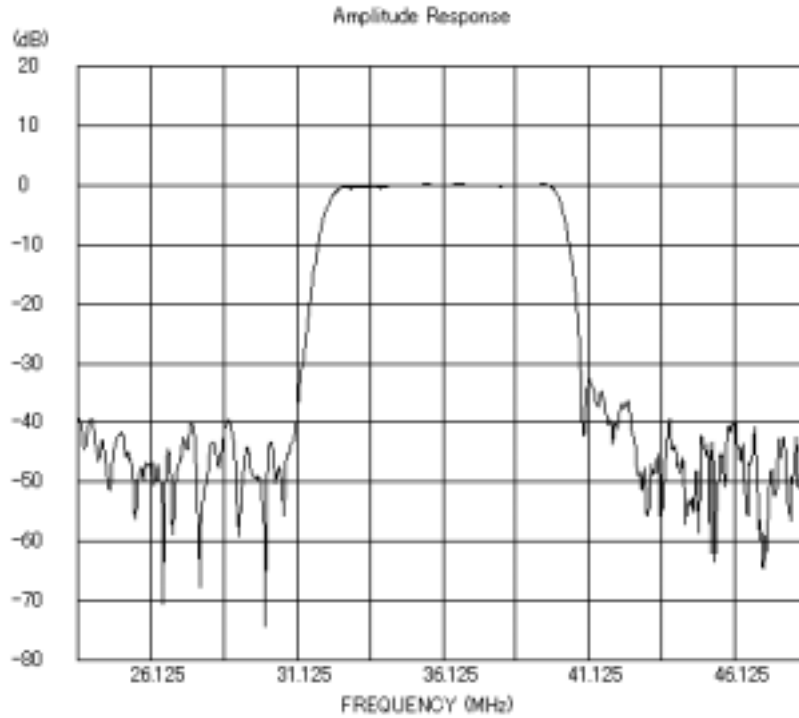
**Figure 3. Full-band characteristics (Channel1)**



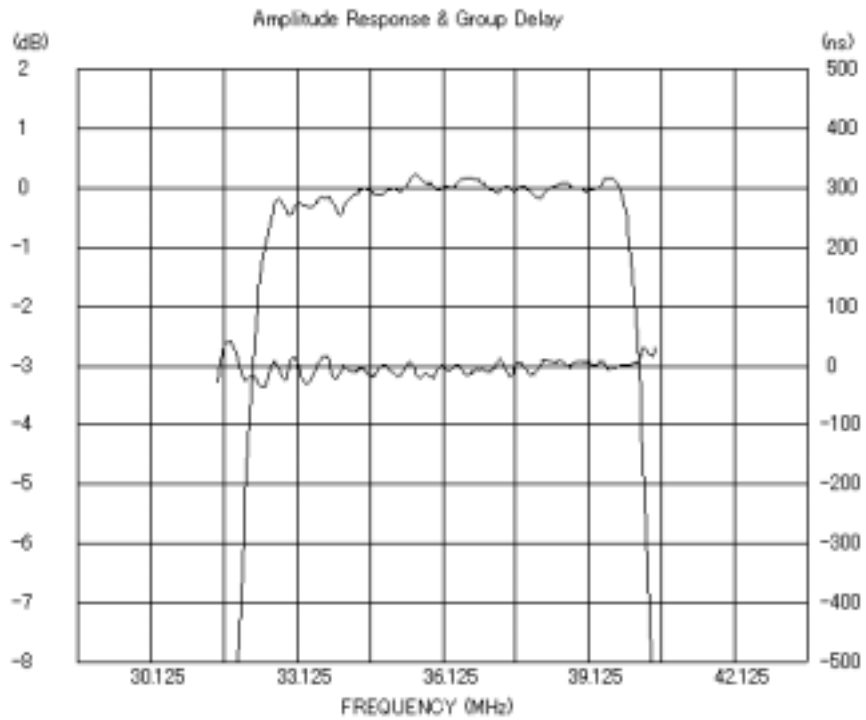
**Figure 4. Pass-band and group delay characteristics (Channel1)**

Customer Name	<b>Standard Specification</b>	FUJITSU MEDIA DEVICES LIMITED	
System	TV-IF	DATE	Jun. 30, 2003
FMD Part Number	FAR-K4SH-36M125-F001	Version_1.2a	<b>Preliminary</b>

*Under development*



**Figure 5. Full-band characteristics (Channel2)**



**Figure 6. Pass-band and group delay characteristics (Channel2)**