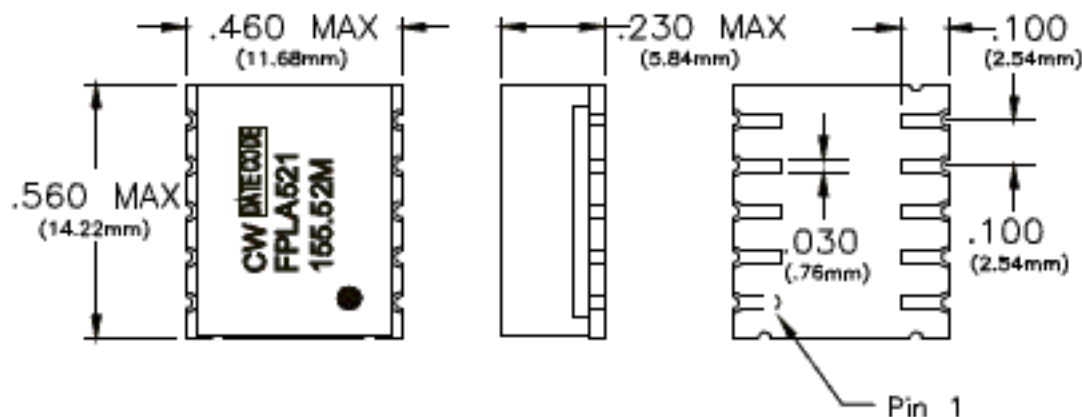


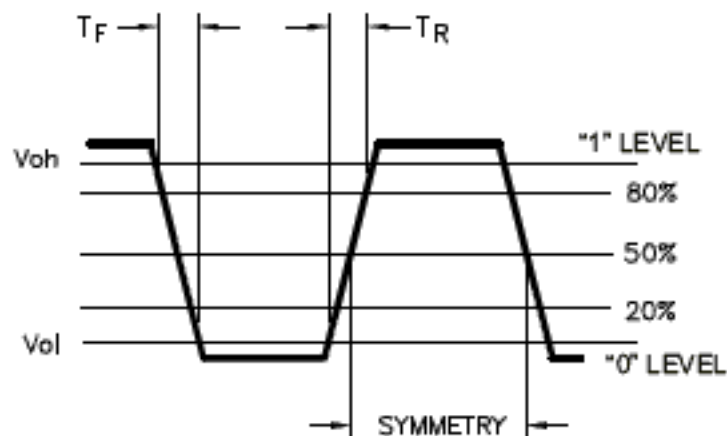


CRYSTAL CONTROLLED OSCILLATORS

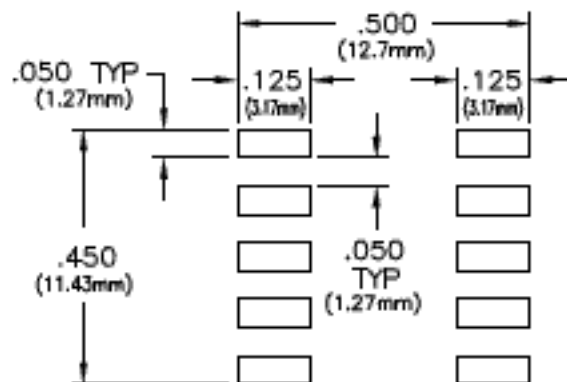


| PIN | CONNECTION |
|-----|------------|
| 1   | NC         |
| 2   | NC         |
| 3   | NC         |
| 4   | GROUND     |
| 5   | NC         |
| 6   | Q OUTPUT   |
| 7   | Q OUTPUT   |
| 8   | NC         |
| 9   | Vcc        |
| 10  | NC         |

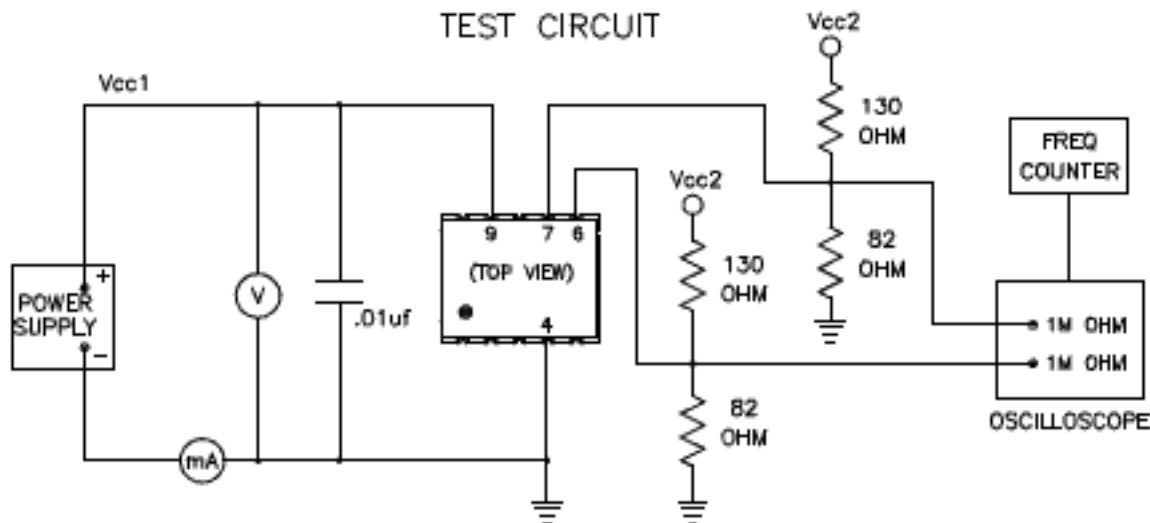
OUTPUT WAVEFORM



SUGGESTED PAD LAYOUT



TEST CIRCUIT



Specifications subject to change without notice.