

Single Junction Surface Mount Circulator
800MHz, 900MHz, 1800MHz, 1900MHz, 2100MHz

FR31 Series
V7

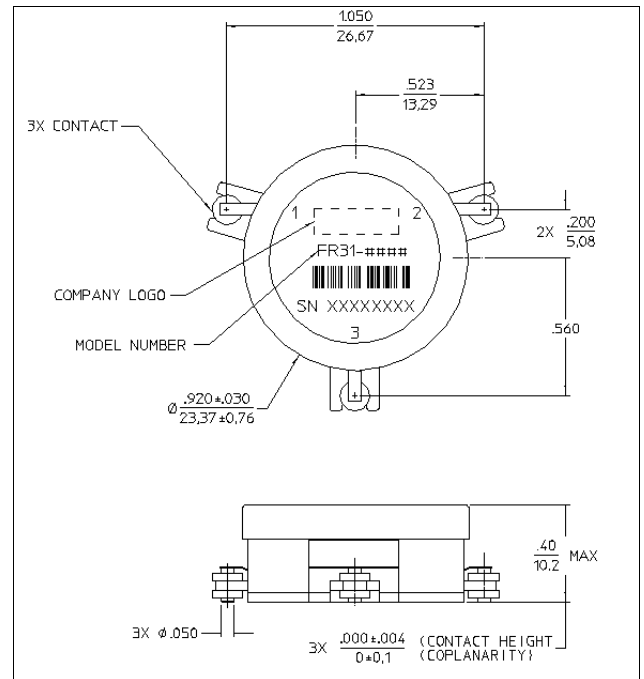
Features

- 20dB Isolation
- 0.35dB Insertion Loss
- Low cost surface mount package
- Custom products available with alternative configurations such as couplers, attenuators, high power termination and reverse circulation.

Description

M/A COM's drop-in circulators and isolators, designed for Wireless base station and power amplifier applications, feature high reliability performance at a low cost. These designs feature a low cost package ideally suited for high volume manufacturing. M/A Com is one of the largest suppliers of isolator and circulators in the world.

Outline Drawing



Electrical Specifications: $Z_0 = 50W$

| Parameter | -30°C to +85°C |
|-----------------|----------------|
| Isolation | 20dB minimum |
| Insertion Loss | 0.35dB maximum |
| VSWR, all ports | 1.22:1 |
| Circulation | Clockwise |

Absolute Maximum Ratings ¹

| Parameter | Absolute Maximum |
|-----------------------|------------------|
| Forward Power | 65 Watts |
| Operating Temperature | -30°C to +85°C |
| Storage Temperature | -45°C to +125°C |

1. Operation of this device above any one of these parameters may cause permanent damage.

Ordering Information

| Part Number | Frequency Range (MHz) |
|-------------|-----------------------|
| FR31-0001 | 869—894 |
| FR31-0002 | 925—960 |
| FR31-0003 | 1805—1880 |
| FR31-0004 | 1930—1990 |
| FR31-0009 | 2110—2170 |

1

M/A-COM Inc. and its affiliates reserve the right to make changes to the product(s) or information contained herein without notice. M/A-COM makes no warranty, representation or guarantee regarding the suitability of its products for any particular purpose, nor does M/A-COM assume any liability whatsoever arising out of the use or application of any product(s) or information.

• **North America** Tel: 800.366.2266 / Fax: 978.366.2266
 • **Europe** Tel: 44.1908.574.200 / Fax: 44.1908.574.300
 • **Asia/Pacific** Tel: 81.44.844.8296 / Fax: 81.44.844.8298

Visit www.macom.com for additional data sheets and product information.