

GHB-3M50-R2

Features

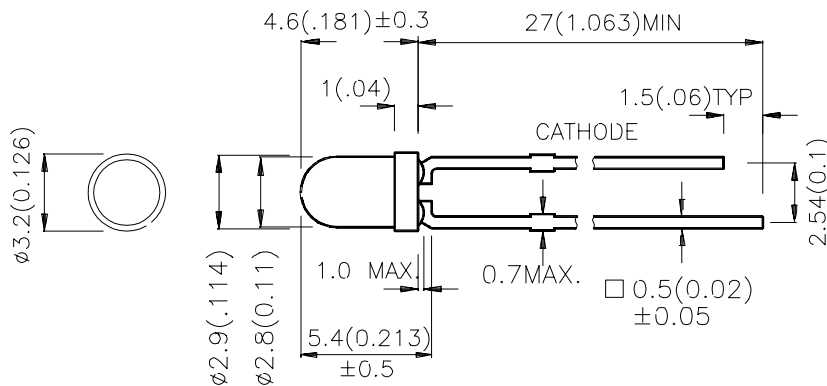
- ✓ LOW POWER CONSUMPTION.
- ✓ POPULAR T-1 DIAMETER PACKAGE.
- ✓ GENERAL PURPOSE LEADS.
- ✓ RELIABLE AND RUGGED.
- ✓ LONG LIFE - SOLID STATE RELIABILITY.
- ✓ AVAILABLE ON TAPE AND REEL.

Description

These devices are made with TS InGaAlP.

T-1 (3mm) SOLID STATE LAMP

Package Dimensions



Notes:

1. All dimensions are in millimeters (inches).
2. Tolerance is 0.25(0.01") unless otherwise noted.
3. Lead spacing is measured where the lead emerge package.
4. Specifications are subject to change without notice.

Selection Guide

Part No.	Dice	Lens Type	Iv (mcd) @ 20 mA		Viewing Angle
			Min.	Typ.	
GHB-3M50-R2	HYPER ORANGE (InGaAlP)	WATER CLEAR	1800	3500	50

Note:

1. 1/2 is the angle from optical centerline where the luminous intensity is 1/2 the optical centerline value.

Electrical / Optical Characteristics at T_A=25 C

Symbol	Parameter	Device	Typ.	Max.	Units	Test Conditions
peak	Peak Wavelength	Hyper Orange	640		nm	I _F =20mA
D	Dominate Wavelength	Hyper Orange	630		nm	I _F =20mA
1/2	Spectral Line Half-width	Hyper Orange	25		nm	I _F =20mA
C	Capacitance	Hyper Orange	27		pF	V _F =0V;f=1MHz
V _F	Forward Voltage	Hyper Orange	2.2	2.8	V	I _F =20mA
I _R	Reverse Current	Hyper Orange		10	μA	V _R = 5V

Absolute Maximum Ratings at T_A=25 C

Parameter	Hyper Orange	Units
Power dissipation	120	mW
DC Forward Current	30	mA
Peak Forward Current [1]	150	mA
Reverse Voltage	5	V
Operating/Storage Temperature	-40 C To +85 C	
Lead Solder Temperature [2]	260 C For 5 Seconds	

Notes:

1. 1/10 Duty Cycle, 0.1ms Pulse Width.
2. 2mm below package base.

