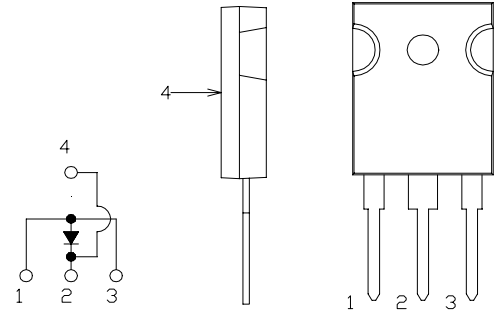


# SBD Type : KSQ60A03LB

OUTLINE DRAWING

### FEATURES

- \* Similar to TO-247AC(TO-3P)Case
- \* Low Forward Voltage Drop
- \* Low Power Loss,High Efficiency
- \* High Surge Current Capability
- \* 30 Volts thru 60 Volts Types Available



### Maximum Ratings

Approx Net Weight: 5.55g

Rating	Symbol	KSQ60A03LB		Unit
Repetitive Peak Reverse Voltage	$V_{RRM}$	30		V
Average Rectified Output Current *1	$I_O$	60	$T_c=106^{\circ}C$ 50 Hz half Sine Wave Resistive Load	A
RMS Forward Current	$I_{F(RMS)}$	94.2		A
Surge Forward Current	$I_{FSM}$	700	50Hz Half Sine Wave ,1cycle Non-repetitive	A
Operating JunctionTemperature Range	$T_{jw}$	-40 to +150		$^{\circ}C$
Storage Temperature Range	$T_{stg}$	-40 to +150		$^{\circ}C$
Mounting torque	$F_{tor}$	recommended torque = 0.5		N•m

\*1:Anode Terminals 1 and 3 Connected

### Electrical • Thermal Characteristics

Characteristics	Symbol	Conditions	Min.	Typ.	Max.	Unit
Peak Reverse Current	$I_{RM}$	$T_j= 25^{\circ}C, V_{RM}= V_{RRM}$	-	-	40	mA
Peak Forward Voltage *1	$V_{FM}$	$T_j= 25^{\circ}C, I_{FM}= 60 A$	-	-	0.54	V
Thermal Resistance Junction to Case	$R_{th(j-c)}$	Junction to Case	-	-	0.75	$^{\circ}C/W$

\*1:Anode Terminals 1 and 3 Connected

KSQ60A03LB OUTLINE DRAWING (Dimensions in mm)

