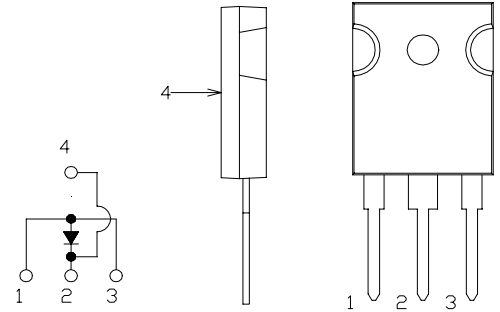


SBD Type : KSQ60A04B

OUTLINE DRAWING

FEATURES

- * Similar to TO-247AC(TO-3P)Case
- * Low Forward Voltage Drop
- * Low Power Loss,High Efficiency
- * High Surge Current Capability
- * 30 Volts thru 60 Volts Types Available



Maximum Ratings

Approx Net Weight: 5.55g

Rating	Symbol	KSQ60A04B			Unit
Repetitive Peak Reverse Voltage	V_{RRM}	40			V
Average Rectified Output Current *1	I_O	60	$T_c=100^{\circ}C$	50 Hz half Sine Wave Resistive Load	A
RMS Forward Current	$I_{F(RMS)}$	94.2			A
Surge Forward Current	I_{FSM}	700	50Hz Half Sine Wave ,1cycle Non-repetitive		A
Operating JunctionTemperature Range	T_{jw}	-40 to +150			$^{\circ}C$
Storage Temperature Range	T_{stg}	-40 to +150			$^{\circ}C$
Mounting torque	F_{tor}	recommended torque = 0.5			N•m

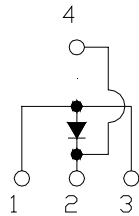
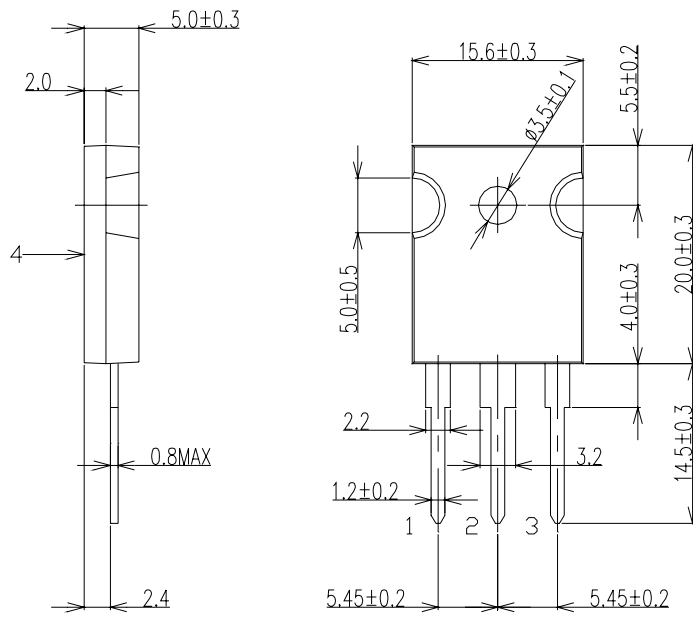
*1:Anode Terminals 1 and 3 Connected

Electrical • Thermal Characteristics

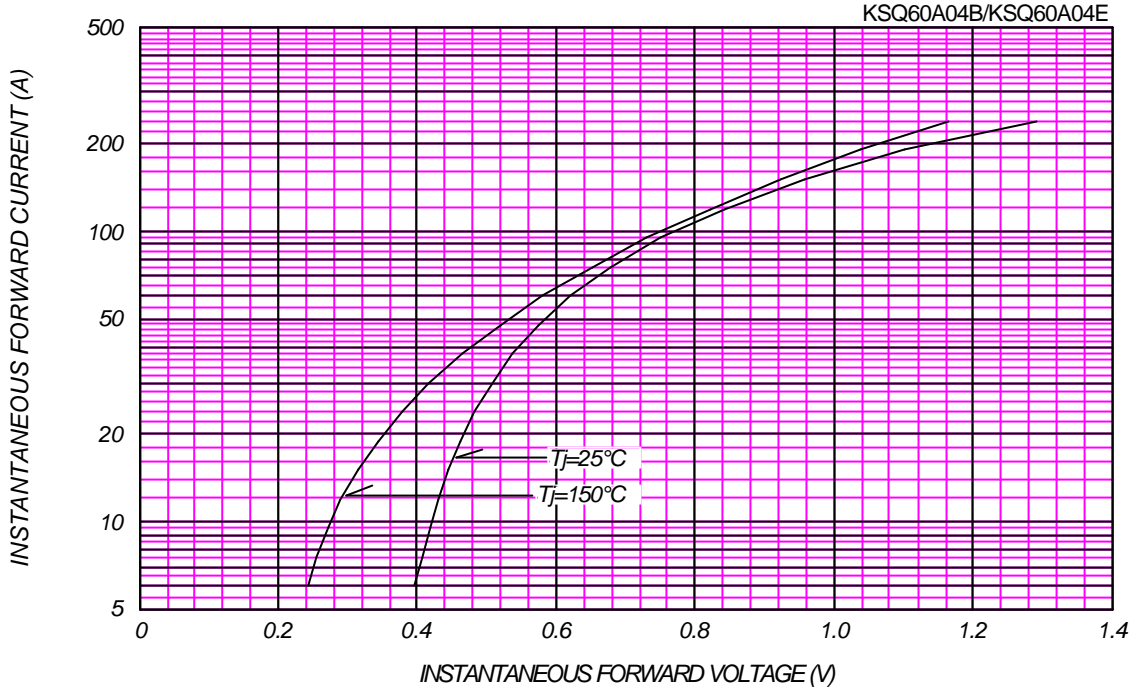
Characteristics	Symbol	Conditions	Min.	Typ.	Max.	Unit
Peak Reverse Current	I_{RM}	$T_j= 25^{\circ}C, V_{RM}= V_{RRM}$	-	-	40	mA
Peak Forward Voltage *1	V_{FM}	$T_j= 25^{\circ}C, I_{FM}= 60 A$	-	-	0.62	V
Thermal Resistance Junction to Case	$R_{th(j-c)}$	Junction to Case	-	-	0.75	$^{\circ}C/W$

*1:Anode Terminals 1 and 3 Connected

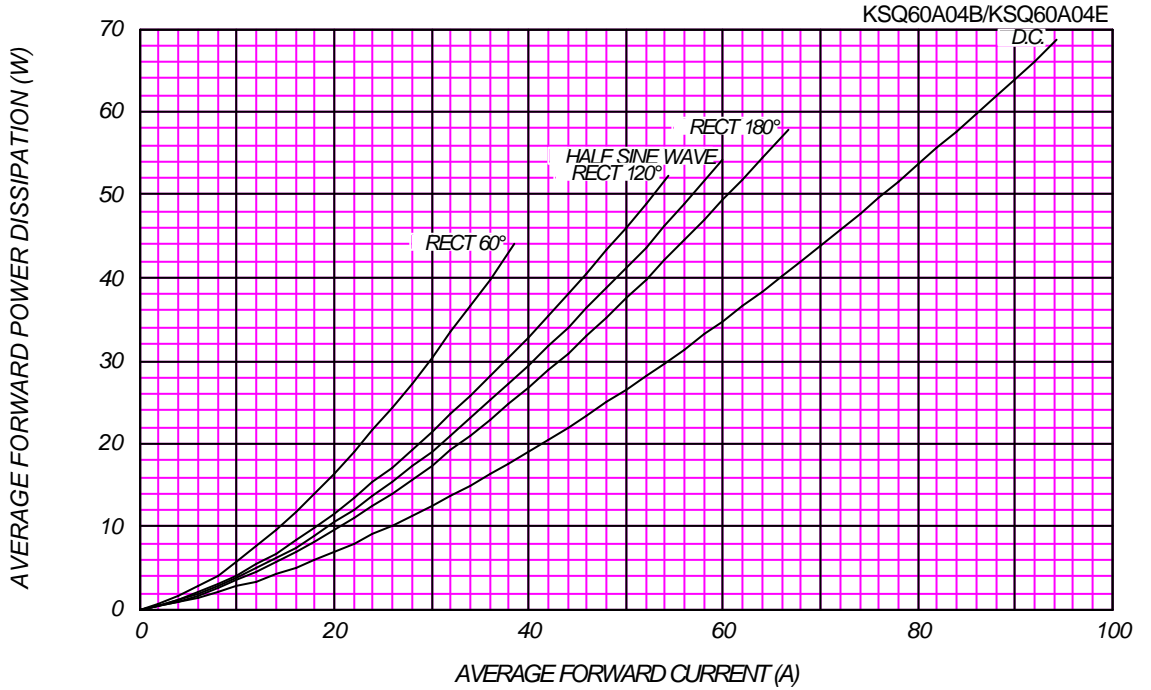
KSQ60A04B OUTLINE DRAWING (Dimensions in mm)



FORWARD CURRENT VS. VOLTAGE



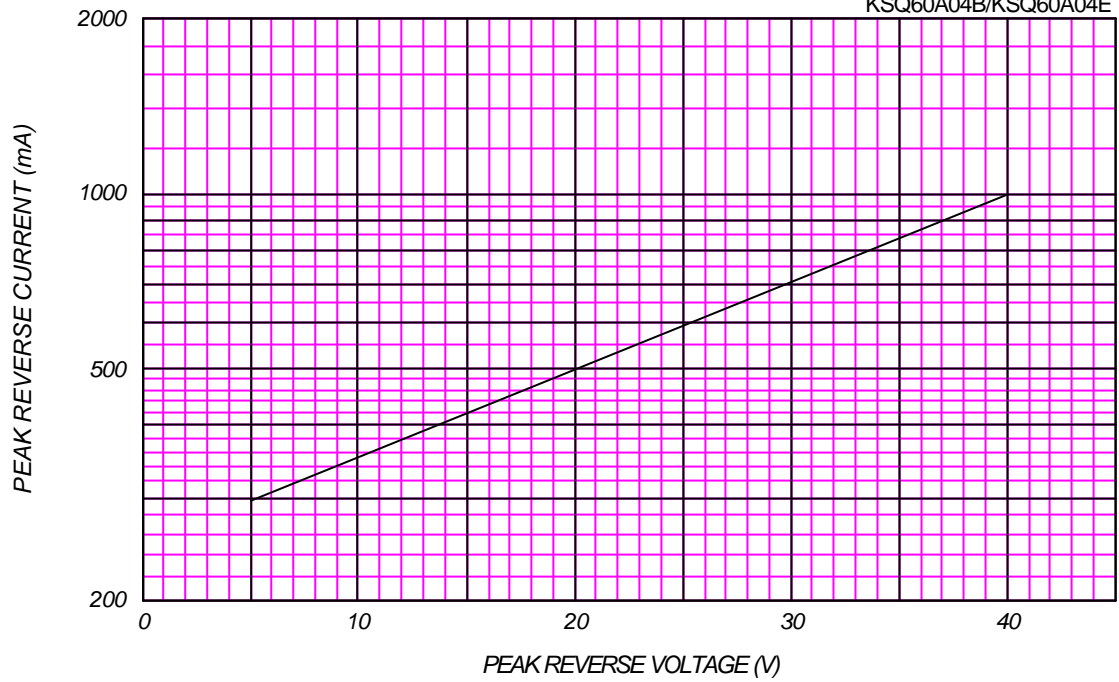
AVERAGE FORWARD POWER DISSIPATION



PEAK REVERSE CURRENT VS. PEAK REVERSE VOLTAGE

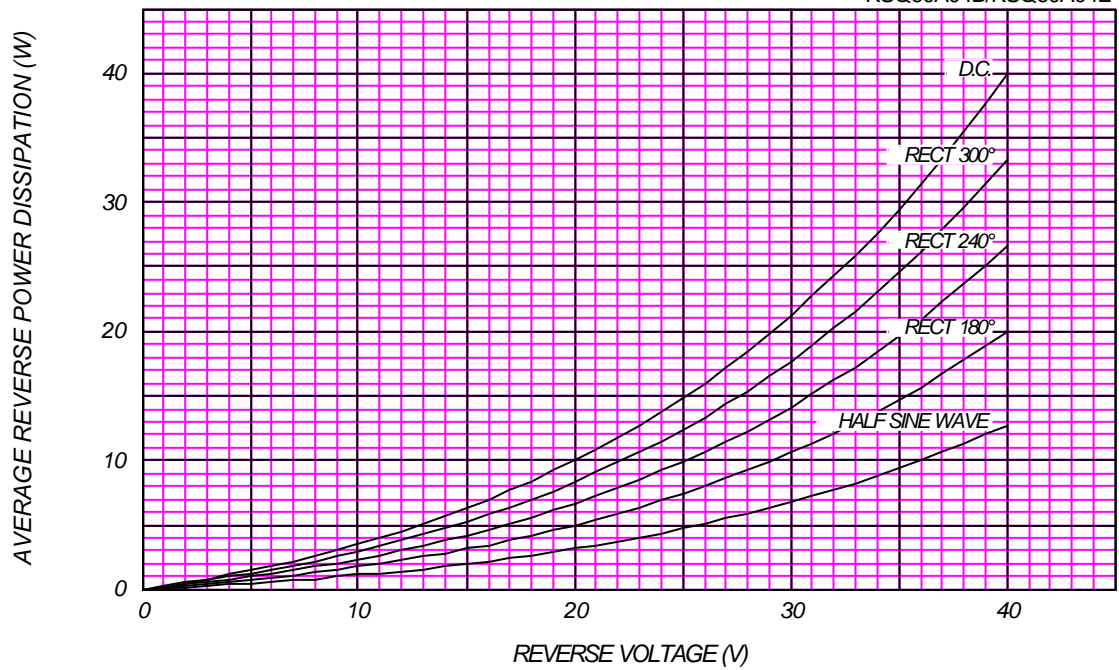
T_j = 150 °C

KSQ60A04B/KSQ60A04E



AVERAGE REVERSE POWER DISSIPATION

KSQ60A04B/KSQ60A04E

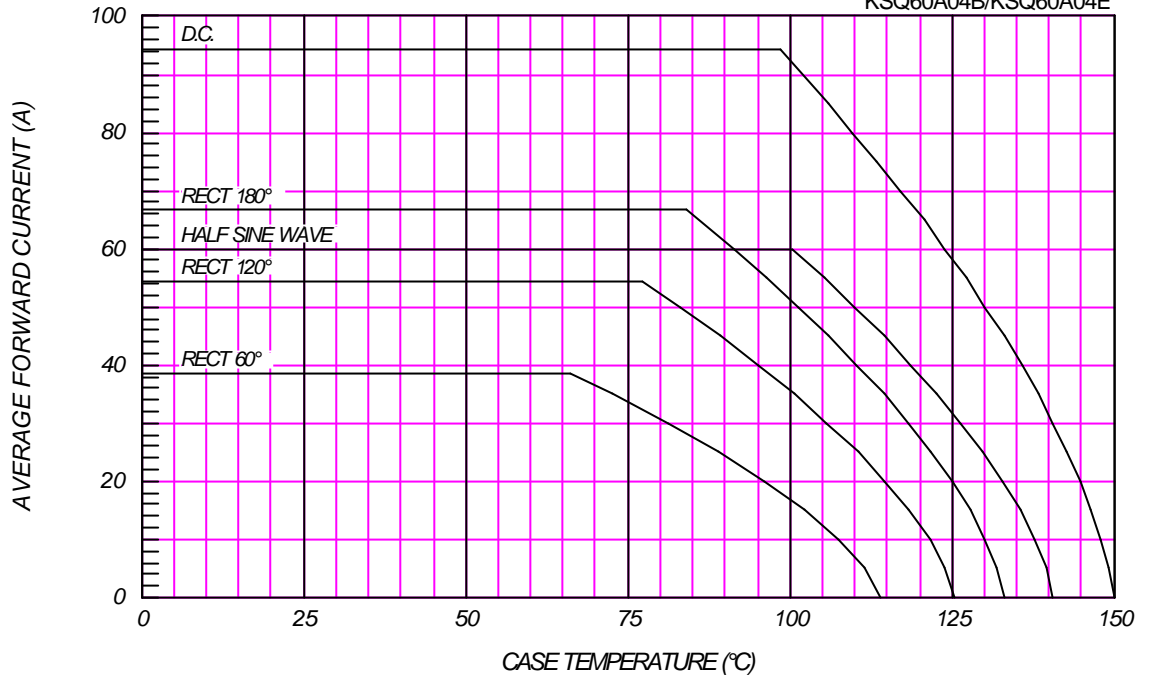




AVERAGE FORWARD CURRENT VS. CASE TEMPERATURE

$V_{RM}=40V$

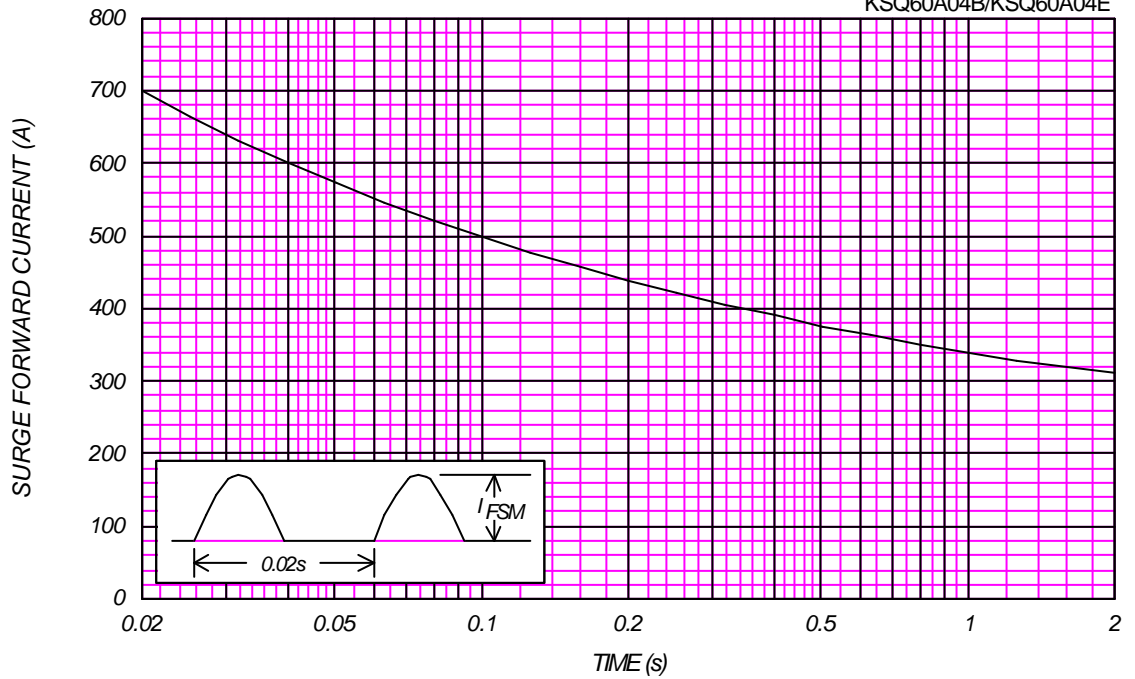
KSQ60A04B/KSQ60A04E



SURGE CURRENT RATINGS

$f=50\text{Hz}$, Half Sine Wave, Non-Repetitive, No Load

KSQ60A04B/KSQ60A04E



JUNCTION CAPACITANCE VS. REVERSE VOLTAGE

$T_j=25^\circ\text{C}$, $V_m=20\text{mV}_{\text{RMS}}$, $f=100\text{kHz}$, Typical Value

KSQ60A04B/KSQ60A04E

