

L-7113NT PURE ORANGE

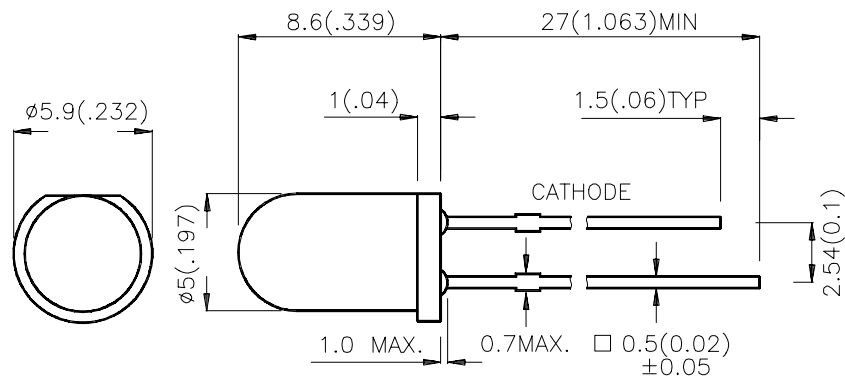
### Features

- LOW POWER CONSUMPTION.
- POPULAR T-1 DIAMETER PACKAGE.
- GENERAL PURPOSE LEADS.
- RELIABLE AND RUGGED.
- LONG LIFE - SOLID STATE RELIABILITY.
- AVAILABLE ON TAPE AND REEL.

### Description

The Pure Orange source color devices are made with Gallium Arsenide Phosphide on Gallium Phosphide Pure Orange Light Emitting Diode.

### Package Dimensions



#### Notes:

1. All dimensions are in millimeters (inches).
2. Tolerance is  $\pm 0.25 (0.01)$  unless otherwise noted.
3. Lead spacing is measured where the lead emerge package.
4. Specifications are subject to change without notice.

## Selection Guide

| Part No. | Dice                   | Lens Type          | Iv (mcd)<br>@ 10 mA |      | Viewing<br>Angle |
|----------|------------------------|--------------------|---------------------|------|------------------|
|          |                        |                    | Min.                | Typ. | 2θ1/2            |
| L-7113NT | PURE ORANGE(GaAsP/GaP) | ORANGE TRANSPARENT | 40                  | 80   | 20°              |

Note:

1. θ1/2 is the angle from optical centerline where the luminous intensity is 1/2 the optical centerline value.

## Electrical / Optical Characteristics at T<sub>A</sub>=25°C

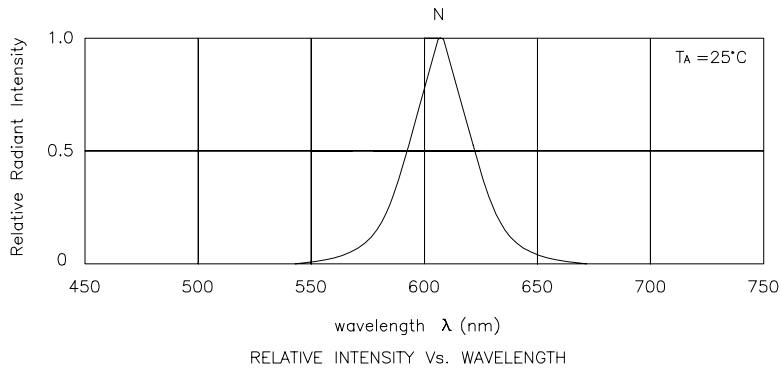
| Symbol            | Parameter                | Device      | Typ. | Max. | Units | Test Conditions           |
|-------------------|--------------------------|-------------|------|------|-------|---------------------------|
| λ <sub>peak</sub> | Peak Wavelength          | Pure Orange | 607  |      | nm    | I <sub>F</sub> =20mA      |
| λ <sub>D</sub>    | Dominate Wavelength      | Pure Orange | 610  |      | nm    | I <sub>F</sub> =20mA      |
| Δλ <sub>1/2</sub> | Spectral Line Half-width | Pure Orange | 35   |      | nm    | I <sub>F</sub> =20mA      |
| C                 | Capacitance              | Pure Orange | 15   |      | pF    | V <sub>F</sub> =0V;f=1MHz |
| V <sub>F</sub>    | Forward Voltage          | Pure Orange | 2.05 | 2.5  | V     | I <sub>F</sub> =20mA      |
| I <sub>R</sub>    | Reverse Current          | Pure Orange |      | 10   | uA    | V <sub>R</sub> = 5V       |

## Absolute Maximum Ratings at T<sub>A</sub>=25°C

| Parameter                     | Pure Orange         | Units |
|-------------------------------|---------------------|-------|
| Power dissipation             | 105                 | mW    |
| DC Forward Current            | 25                  | mA    |
| Peak Forward Current [1]      | 145                 | mA    |
| Reverse Voltage               | 5                   | V     |
| Operating/Storage Temperature | -40°C To +85°C      |       |
| Lead Solder Temperature [2]   | 260°C For 5 Seconds |       |

Notes:

1. 1/10 Duty Cycle, 0.1ms Pulse Width.
2. 2mm below package base.



## Pure Orange L-7113NT

