

INTEGRATED CONNECTOR MODULES

L826-1X4T-23-F Gigabit Ethernet Low Profile Multi-Port MagJack® with LEDs



LED1 POLARITY			LED2 POLARITY		
PIN 13	PIN 14	COLOR	PIN 15	PIN 16	COLOR
-	+	YELLOW	-	+	GREEN
			+	-	ORANGE

ELECTRICAL CHARACTERISTICS @ 25°C

URNS RATIO

TP1	1CT : 1CT ±2%
TP2	1CT : 1CT ±2%
TP3	1CT : 1CT ±2%
TP4	1CT : 1CT ±2%

DCL @ 100kHz/100mVRMS

8mA DC BIAS	350µH MIN.
-------------	------------

INS. LOSS

0.1MHz TO 1MHz	-1.1 dB MAX
1MHz TO 65MHz	-0.5 dB MAX
65MHz TO 100MHz	-0.8 dB MAX
100MHz TO 125MHz	-1.2 dB MAX

RET. LOSS (MIN)

0.5MHz-40MHz	-18 dB
40MHz-100MHz	-12+20LOG(f/80MHz) dB

CM TO CM REJ

100kHz - 100MHz	-30 dB MIN
-----------------	------------

CM TO DM REJ

100kHz - 100MHz	-35 dB MIN
-----------------	------------

HIPOT (Isolation Voltage)

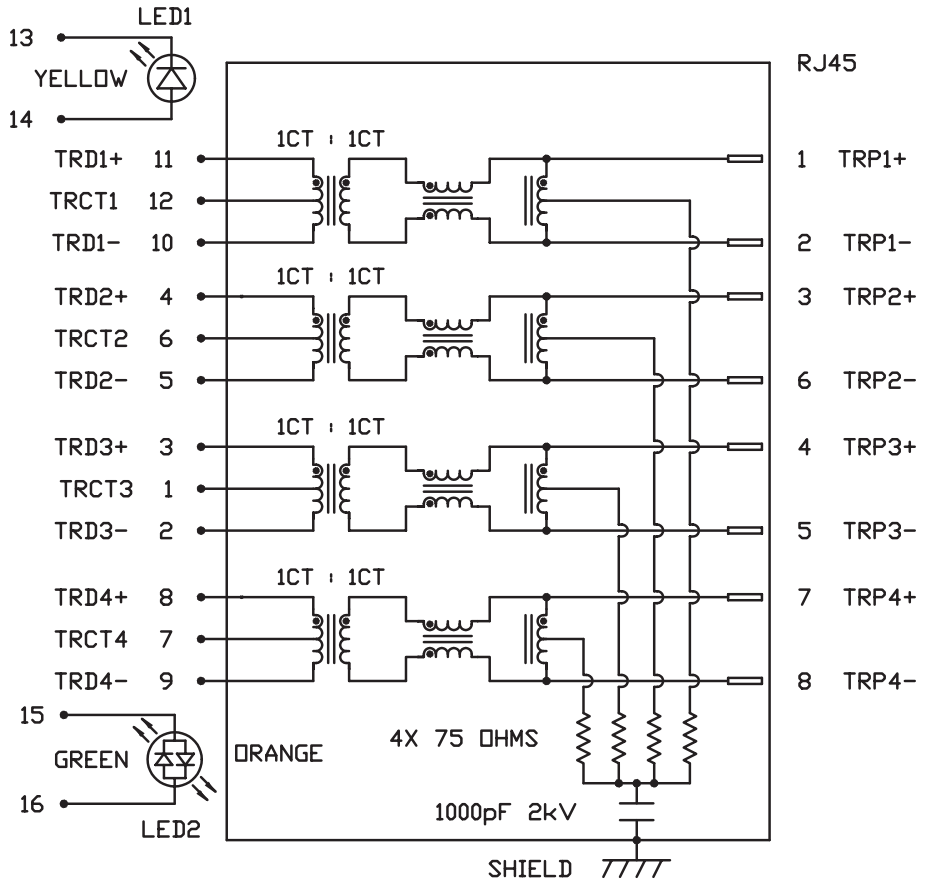
1500 Vrms

LED1

V _F (FORWARD VOLTAGE)	I _F =20mA	YELLOW	2.1V TYP.
λ _D (DOMINANT WAVELENGTH)	I _F =20mA	YELLOW	590nm TYP.

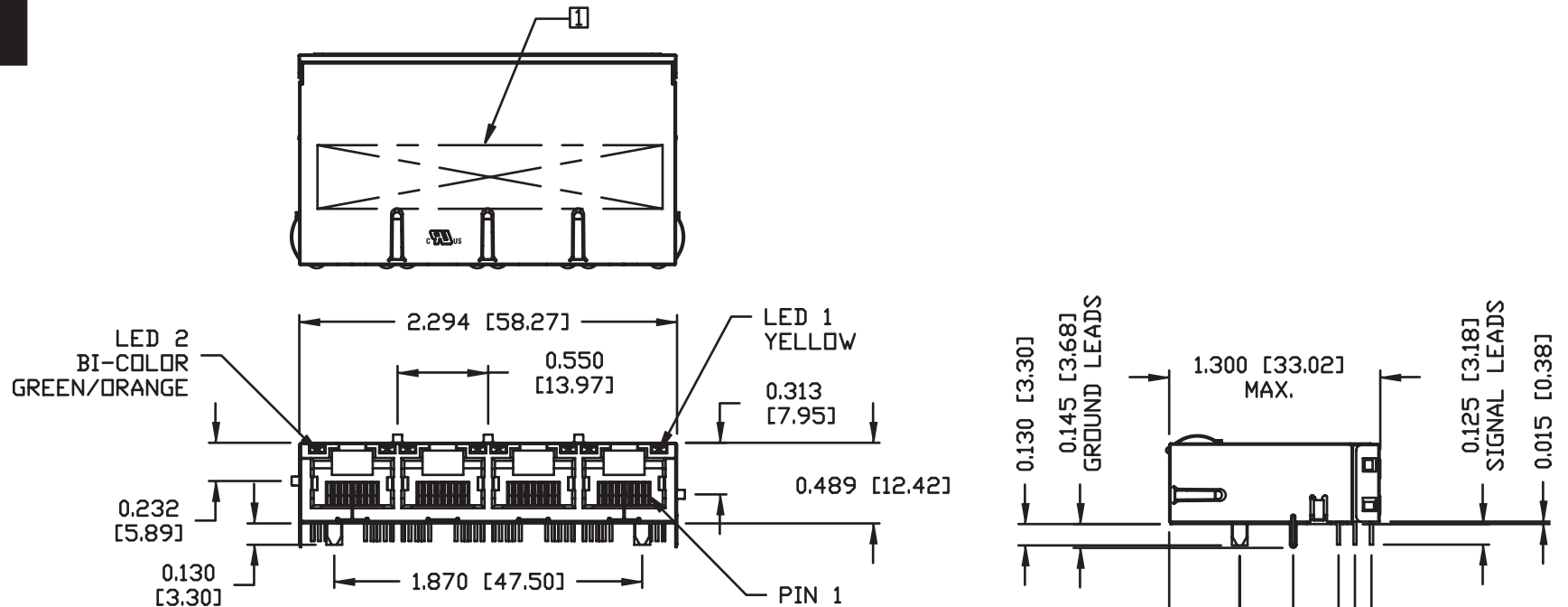
LED2

V _F (FORWARD VOLTAGE)	I _F =20mA	GREEN	2.2V TYP.
		ORANGE	2.0V TYP.
λ _D (DOMINANT WAVELENGTH)	I _F =20mA	GREEN	565nm TYP.
		ORANGE	610nm TYP.



INTEGRATED CONNECTOR MODULES

L826-1X4T-23-F Gigabit Ethernet Low Profile Multi-Port MagJack® with LEDs



NOTES:

- PLASTIC HOUSING: THERMOPLASTIC PBT
FLAMMABILITY RATING UL 94V-0
- CONTACTS PLATING: 50 MICRO-INCH HARD GOLD PLATING
- PINS: TIN-COATED COPPER WIRE, DIA 0.018 INCH.
- METAL SHIELD: NICKEL PLATED PHOSPHOR BRONZE, 0.01 THICK.
(ALL NICKEL PLATED GROUND LEADS ARE SOLDER DIPPING)

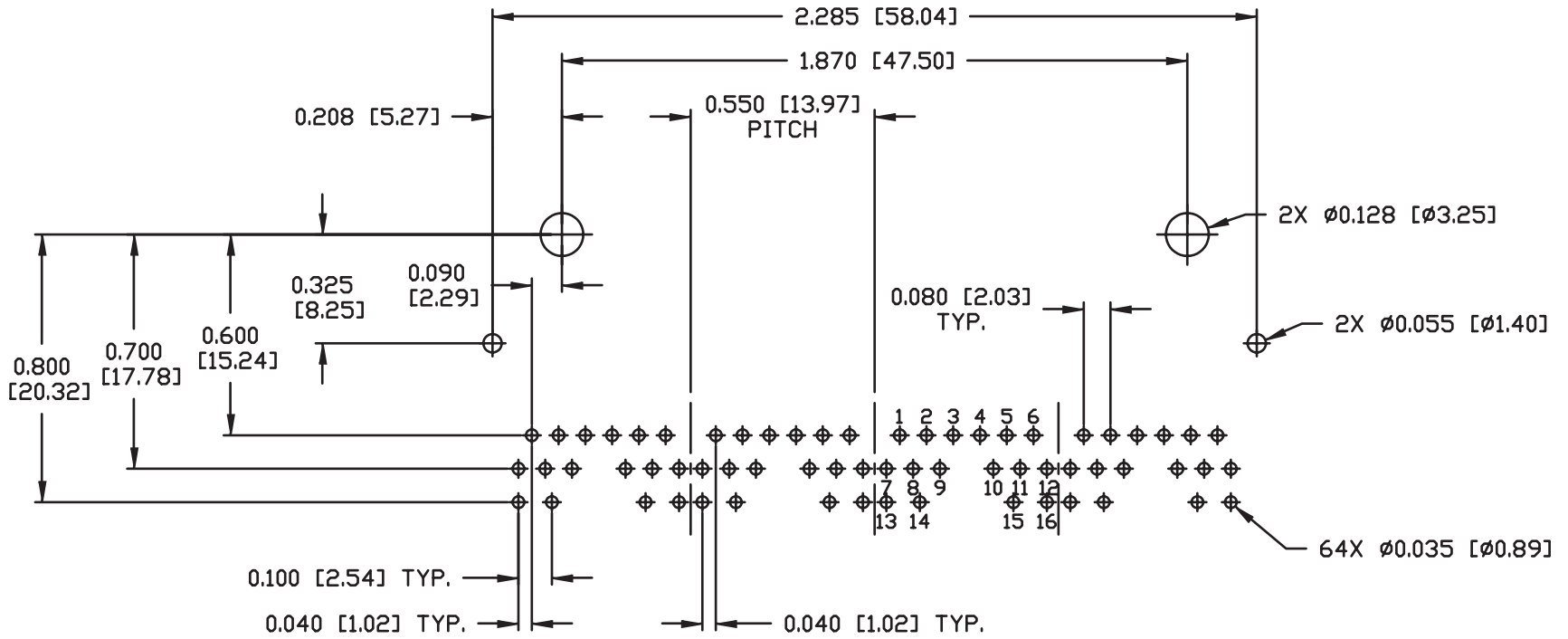
1 MARK PART WITH MFG. LOGO; MFG. NAME; PART NUMBER; DATE CODE.

US UL RECOGNIZED - FILE #E196366 AND E169987.

RoHS COMPLIANCE, PER EU DIRECTIVE 2002/95/EC.

INTEGRATED CONNECTOR MODULES

L826-1X4T-23-F Gigabit Ethernet Low Profile Multi-Port MagJack® with LEDs



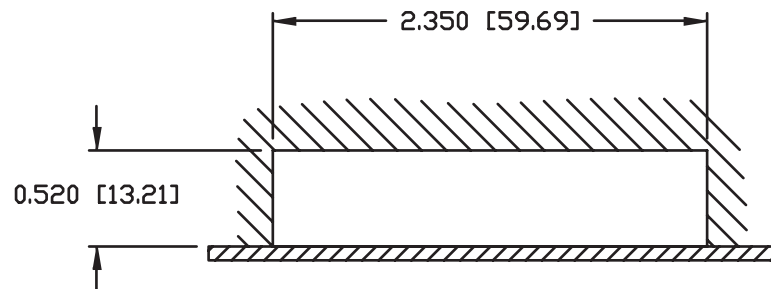
RECOMMENDED PCB FOOTPRINT
(COMPONENT SIDE VIEW)

INTEGRATED CONNECTOR MODULES

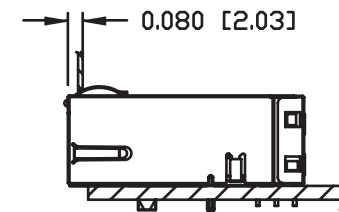
L826-1X4T-23-F Gigabit Ethernet Low Profile Multi-Port MagJack® with LEDs



SUGGESTED PANEL OPENING



METAL PANEL



PCB

NOTE:

THE DISTANCE OF PANEL INSIDE SURFACE RELATIVE TO FRONT SURFACE OF PART IS ONLY A SUGGESTION. IN CASE THIS DISTANCE IS DIFFERENT, THE REQUIRED PANEL OPENING DIMENSIONS CHANGE ACCORDINGLY.

PACKING INFORMATION

PACKING TRAY: 0200-9999-D3 (TOP)

0200-9999-B5 (BOTTOM)

PACKING QUANTITY: 24 PCS FINISHED GOODS PER TRAY

10 TRAYS (240PCS FINISHED GOODS) PER CARTON BOX

NOTE:

THE DISTANCE OF PANEL INSIDE SURFACE RELATIVE TO FRONT SURFACE OF PART IS ONLY A SUGGESTION. IN CASE THIS DISTANCE IS DIFFERENT, THE REQUIRED PANEL OPENING DIMENSIONS CHANGE ACCORDINGLY.