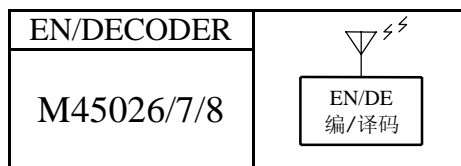




145026 COMPATIBLE

3 STATE 19,683 CODES

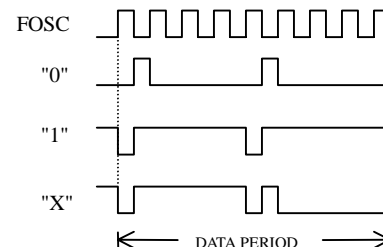
3 态 19,683 码



FEATURES 功能叙述

- 3⁹ difference codes.
- Minimum 2 transmission words.
- Totally pin compatible with 145026.
- S.O.Package — suffix-S.

BIT FORMAT



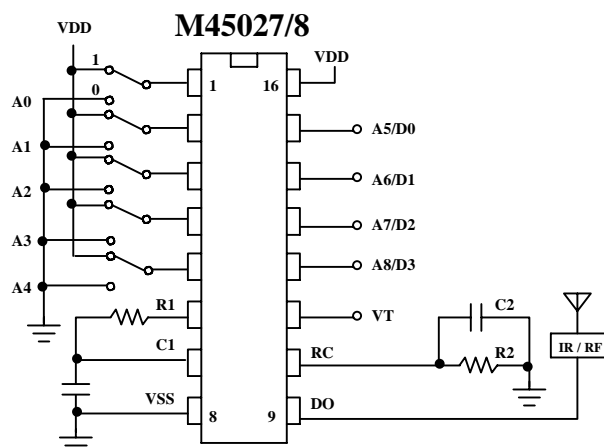
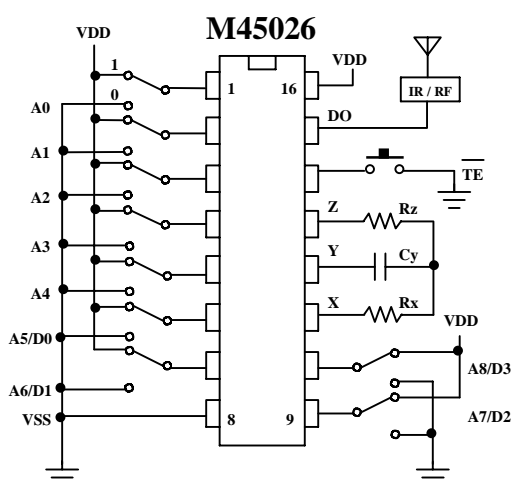
APPLICATION 产品应用

- Security alarm, Remote control. 防盗系统, 任何遥控装置.

ELECTRICAL CHARACTERISTICS 电气规格

Characteristics	Sym.	Min.	Typ.	Max.	Unit	REMARKS
工作电压 Operating Voltage	V _{DD}	3	—	13	V	M318E
工作电流 Operating Current	I _{OP}	—	2	3	mA	No load, Fosc=22 KHz
静态电流 Quiescent Current	I _{SB}	—	0.1	1	μ A	Oscillator stop
推动电流 Driving Current	I _{OL}	—	2	—	mA	@ V _{DS} =1.2V
振荡频率 Oscillator Frequency	F _{OSC}	—	22	—	KHz	External ± 30%
工作温度 Operating Temperature	Temp.	-20	25	70	°C	

APPLICATION DIAGRAM 参考电路图



* @VDD=12V, R_x=20 KΩ, R_z=10KΩ, C_y=500 PF.

* All specs and applications shown above subject to change without prior notice.

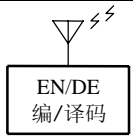
(以上电路及规格仅供参考,本公司得径行修正)

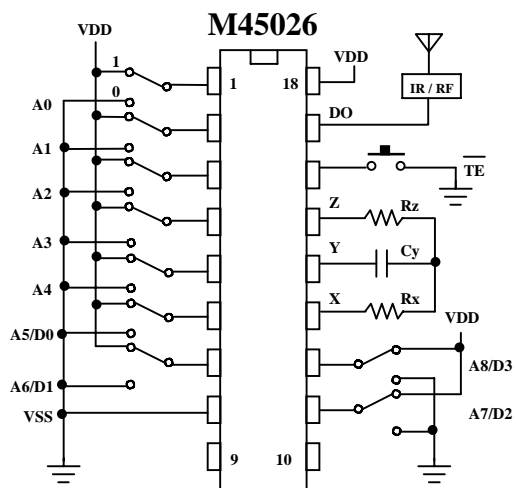


145026 COMPATIBLE

3 STATE 19,683 CODES

3 态 19,683 码

EN/DECODER	
M45026/7/8	



* All specs and applications shown above subject to change without prior notice.
(以上电路及规格仅供参考,本公司得径行修正)