



Obsolescence Notice

This product is obsolete.

This information is available for your convenience only.

For more information on Zarlink's obsolete products and replacement product lists, please visit http://products.zarlink.com/obsolete_products/

MA3864

RADIATION HARD 8192 x 8 BIT MASK-PROGRAMMABLE ROM

The MA3864 64k Mask Programmable ROM is configured as 8192x8 bits and manufactured using CMOS-SOS high performance, radiation hard, 1.5µm technology.

The design has full static operation with no clock or timing strobe required. Address input buffers are deselected when chip select is in the HIGH state.

Programming is performed during fabrication by customising the penultimate layer of the process. Programming data may be supplied in EPROM or as a data file in the standard INTEL Hex format.

Operation Mode	*E	G	I/O	Power
Read	L	L	D OUT	
Output Disable	L	H	High Z	
Standby	H X	X X	High Z X	ISB 2

*E is a mask programmed NAND function of E1,E2,E3,E4 and their inverses.

FEATURES

- 1.5µm CMOS-SOS Technology
- Latch-up Free
- Fast Access Time 60ns Typical
- Total Dose 10⁶ Rad(Si)
- Transient Upset >10¹¹ Rad(Si)/sec
- SEU 4.3 x 10⁻¹¹ Errors/bitday
- Single 5V Supply
- Three State Output
- Low Standby Current 100µA Typical
- -55°C to +125°C Operation
- All Inputs and Outputs Fully TTL or CMOS Compatible
- Fully Static Operation
- Programmable at Via Level for Fast Turnaround
- 4 Mask Programmable Chip Selects

Figure 1: Truth Table

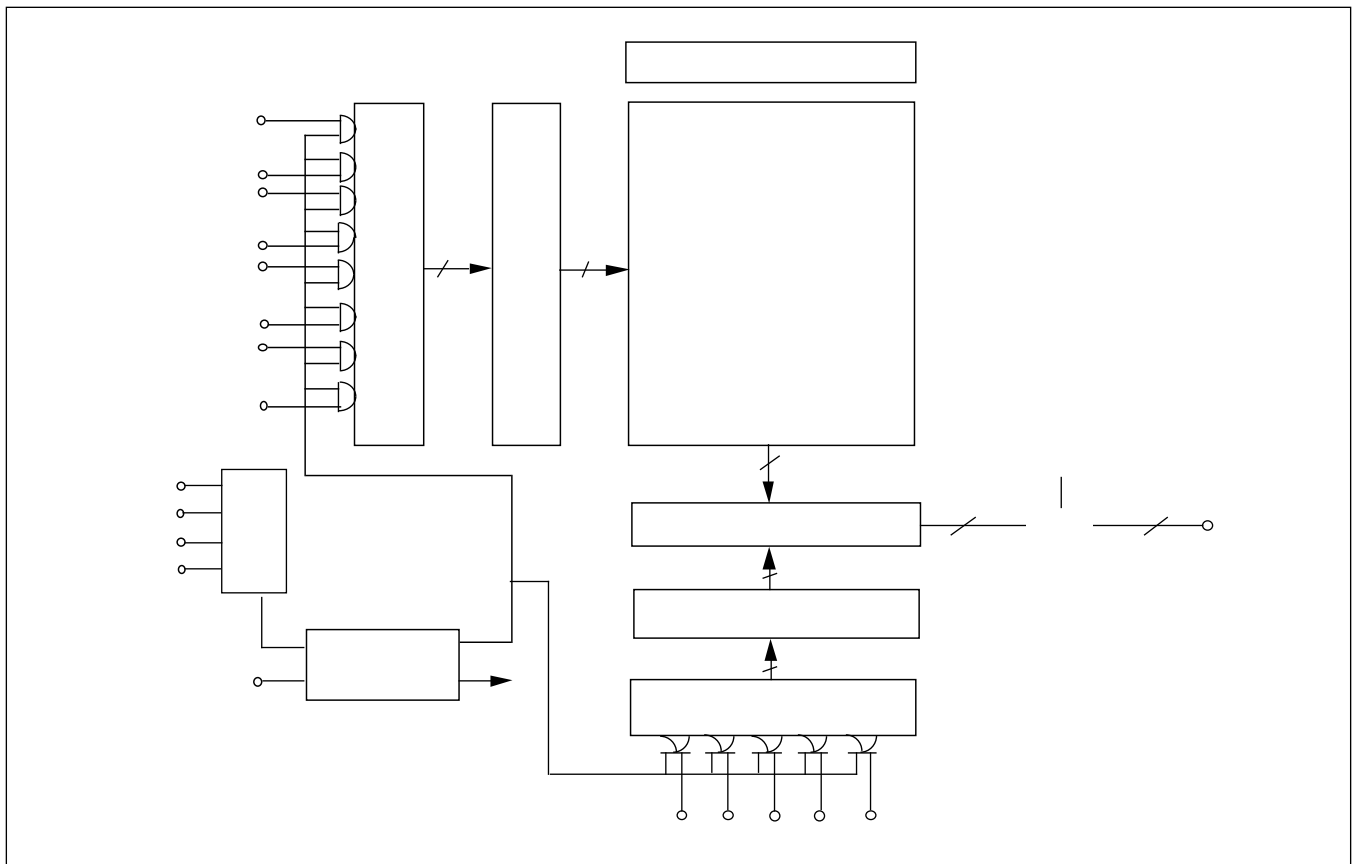


Figure 2: Block Diagram

MA3864

SIGNAL DEFINITIONS

A0-12

Address input pins which select a particular eight bit word within the memory array.

Q0-7

Data output pins

E1, E2, E3, E4

Are mask programmed, to the customer's specification, to form the active LOW chip select function (\overline{E}). \overline{E} is driven by a 4-input NAND gate which has E1,E2,E3,E4 or their inverses as it's

inputs. Unused NAND gate I/Ps will be tied high internally. When chip select (\overline{E}) is low, a read is activated. When it is at a high level it defaults the ROM to a precharge condition and holds the data output drivers in a high impedance state.

G

Output Enable which when at a high level holds the data output drivers in a high impedance state. When at a low level, data output driver state is defined by \overline{CS} . If this signal is not used it must be connected to VSS.

CHARACTERISTICS AND RATINGS

Symbol	Parameter	Min.	Max.	Units
V_{CC}	Supply Voltage	-0.5	7.0	V
V_I	Input Voltage	-0.3	$V_{DD}+0.3$	V
T_A	Operating Temperature	-55	125	°C
T_S	Storage Temperature	-65	150	°C

Stresses above those listed may cause permanent damage to the device. This is a stress rating only and functional operation of the device at these conditions, or at any other condition above those indicated in the operations section of this specification, is not implied. Exposure to absolute maximum rating conditions for extended periods may affect device reliability.

Figure 3: Absolute Maximum Ratings

Notes for Table 4:

Characteristics apply to pre radiation at $T_A = -55^{\circ}\text{C}$ to $+125^{\circ}\text{C}$ with $V_{DD} = 5\text{V} \pm 10\%$ and to post 100k Rad(Si) total dose radiation at $T_A = 25^{\circ}\text{C}$ with $V_{DD} = 5\text{V} \pm 10\%$ (characteristics at higher radiation levels available on request). GROUP A SUBGROUPS 1, 2, 3.

Symbol	Parameter	Conditions	(Option)	Min.	Typ.	Max.	Units
V_{DD}	Supply voltage	-		4.5	5.0	5.5	V
V_{IH}	Logical '1' Input Voltage	-	(TTL) (CMOS)	2.0 $0.8 V_{DD}$	- -	V_{DD} V_{DD}	V V
V_{IL}	Logical '0' Input Voltage	-	(TTL) (CMOS)	V_{SS} V_{SS}	- -	0.8 $0.2 V_{DD}$	V V
V_{OH1}	Logical '1' Output Voltage	$I_{OH1} = -4\text{mA}$		2.4	-	-	V
V_{OH2}	Logical '1' Output Voltage	$I_{OH2} = -3\text{mA}$		$V_{DD} - 0.5$	-	-	V
V_{OL}	Logical '0' Output Voltage	$I_{OL} = 8\text{mA}$		-	-	0.4	V
I_{LI}	Input Leakage Current	$V_{IN} = V_{DD}$ or V_{SS} all inputs		-	-	± 10	μA
I_{LO}	Output Leakage Current	Chip disabled, $V_{OUT} = V_{DD}$ or V_{SS}		-	-	± 10	μA
I_{SB1}	Selected Static Current (CMOS)	All inputs = $V_{DD} - 0.2\text{V}$ except $\overline{CS} = V_{SS} + 0.2\text{V}$		-	0.1	2	mA
I_{DD}	Dynamic Operating Current (CMOS)	$f_{RC} = 1\text{MHz}$, all inputs switching, $V_{IH} = V_{DD} - 0.2\text{V}$		-	3	10	mA
I_{SB2}	Standby Supply Current	$\overline{CS} = V_{DD} - 0.2\text{V}$		-	0.1	2	mA

Figure 4: Electrical Characteristics

AC CHARACTERISTICS

Conditions of Test for Table 5:

1. Input pulse = V_{SS} to 4.5V.
2. Times measurement reference level = 1.5V.
3. Input Rise and Fall times = 5ns.
4. Output load 1TTL gate and CL = 60pF.
5. Transition is measured at $\pm 500\text{mV}$ from steady state (T_{ELQX} , T_{EHQZ} , T_{GHQZ}).
6. These parameters are sampled and not 100% tested (T_{ELQX} , T_{EHQZ} , T_{GHQZ}).

Characteristics apply to pre-radiation at $T_A = -55^\circ\text{C}$ to $+125^\circ\text{C}$ with $V_{DD} = 5V \pm 10\%$ and to post 100k Rad(Si) total dose radiation at $T_A = 25^\circ\text{C}$ with $V_{DD} = 5V \pm 10\%$. GROUP A SUBGROUPS 9, 10, 11.

Symbol	Parameter	Min	Max	Units
T_{AVAX}	Read Cycle Time	60	-	ns
T_{AVQV}	Address Access Time	-	60	ns
* T_{ELQV}	Chip Select Access Time	-	60	ns
T_{GLQV}	Output Enable to Output Valid	-	15	ns
T_{AXQX}	Output Hold Time for Address Access	15	-	ns
* T_{ELQX}	Chip Select Low to Outputs Active	-	30	ns
* T_{EHQZ}	Chip Select High to Outputs Hi-Z	-	30	ns
T_{GHQZ}	Output Enable High to Output Hi-Z	-	10	ns
T_{ELEH}	Chip Select Pulse Width	60	-	ns

*These functions refer to the action of the internal chip select, \underline{E} . The timings given are relative to the last of the pins; E1, E2, E3 and E4 to change which causes the specified transitions of \underline{E} .

Figure 5: Read Cycle AC Electrical Characteristics

Symbol	Parameter	Conditions	Min.	Typ.	Max.	Units
C_{IN}	Input Capacitance	$V_I = 0V$	-	3	5	pF
C_{OUT}	Output Capacitance	$V_{IO} = 0V$	-	5	7	pF

Note: $T_A = 25^\circ\text{C}$ and $f = 1\text{MHz}$. Data obtained by characterisation or analysis; not routinely measured.

Figure 6: Capacitance

MA3864

Symbol	Parameter	Conditions
F_T	Basic Functionality	$V_{DD} = 4.5V - 5.5V$, FREQ = 1MHz $V_{IL} = V_{SS}$, $V_{IH} = V_{DD}$, $V_{OL} = 1.5V$, $V_{OH} = 1.5V$ TEMP = -55°C to +125°C, GPS PATTERN SET GROUP A SUBGROUPS 7, 8A, 8B

Figure 7: Functionality

Subgroup	Definition
1	Static characteristics specified in Table 4 at +25°C
2	Static characteristics specified in Table 4 at +125°C
3	Static characteristics specified in Table 4 at -55°C
7	Functional characteristics specified in Table 7 at +25°C
8A	Functional characteristics specified in Table 7 at +125°C
8B	Functional characteristics specified in Table 7 at -55°C
9	Switching characteristics specified in Table 5 at +25°C
10	Switching characteristics specified in Table 5 at +125°C
11	Switching characteristics specified in Table 5 at -55°C

Figure 8: Definition of Subgroups

TIMING DIAGRAMS

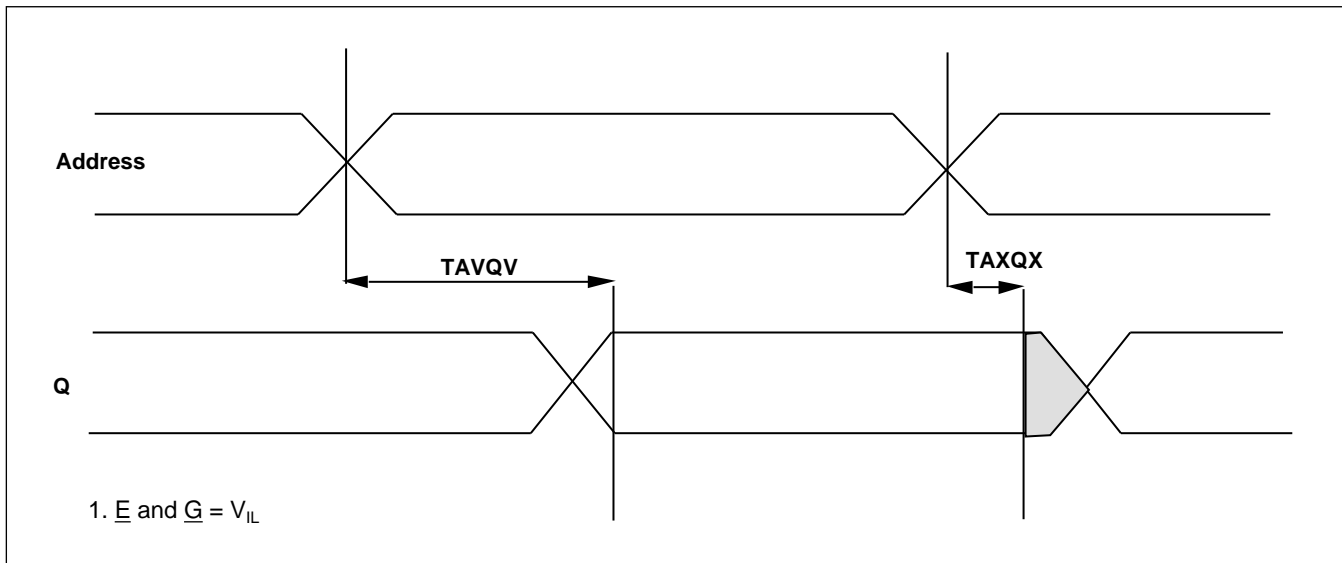


Figure 9: Address Controlled Read Cycle

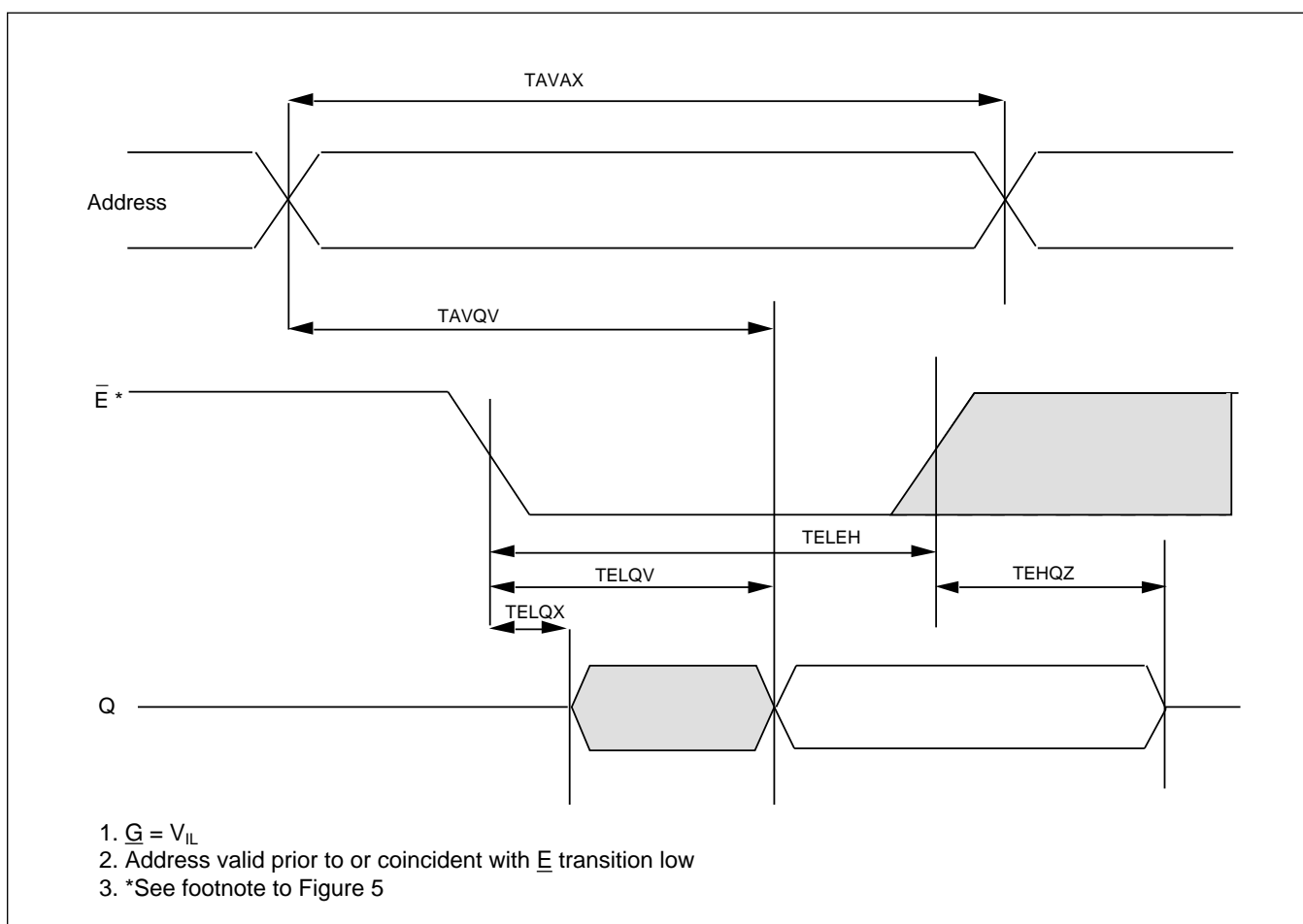


Figure 10: Chip Select Controlled Read Cycle

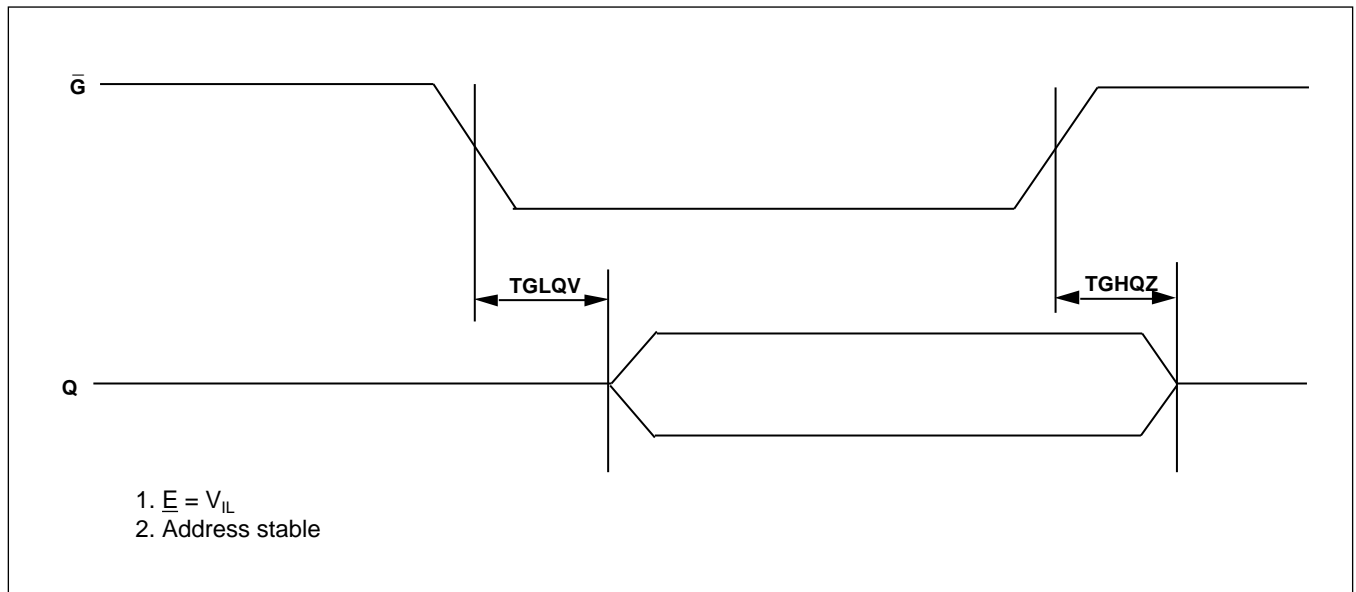
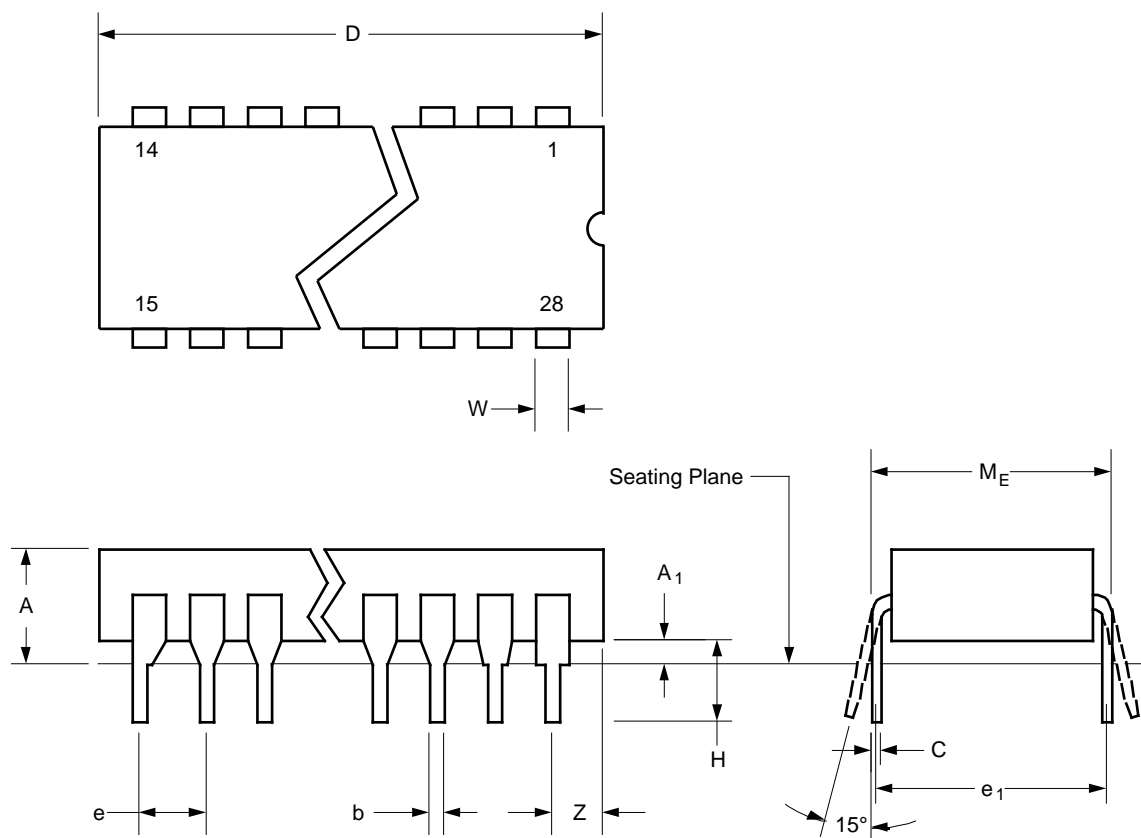


Figure 11: Output Enable Operation

OUTLINES AND PIN ASSIGNMENTS



Ref	Millimetres			Inches		
	Min.	Nom.	Max.	Min.	Nom.	Max.
A	-	-	5.715	-	-	0.225
A1	0.38	-	1.53	0.015	-	0.060
b	0.35	-	0.59	0.014	-	0.023
c	0.20	-	0.36	0.008	-	0.014
D	-	-	36.02	-	-	1.418
e	-	2.54 Typ.	-	-	0.100 Typ.	-
e1	-	15.24 Typ.	-	-	0.600 Typ.	-
H	4.71	-	5.38	0.185	-	0.212
Me	-	-	15.90	-	-	0.626
Z	-	-	1.27	-	-	0.050
W	-	-	1.53	-	-	0.060

XG404

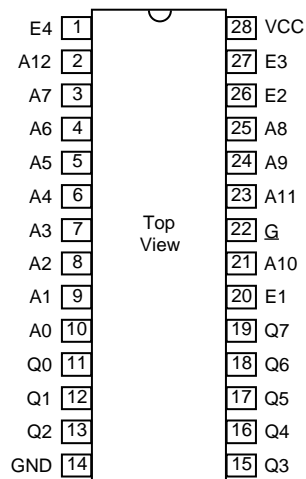
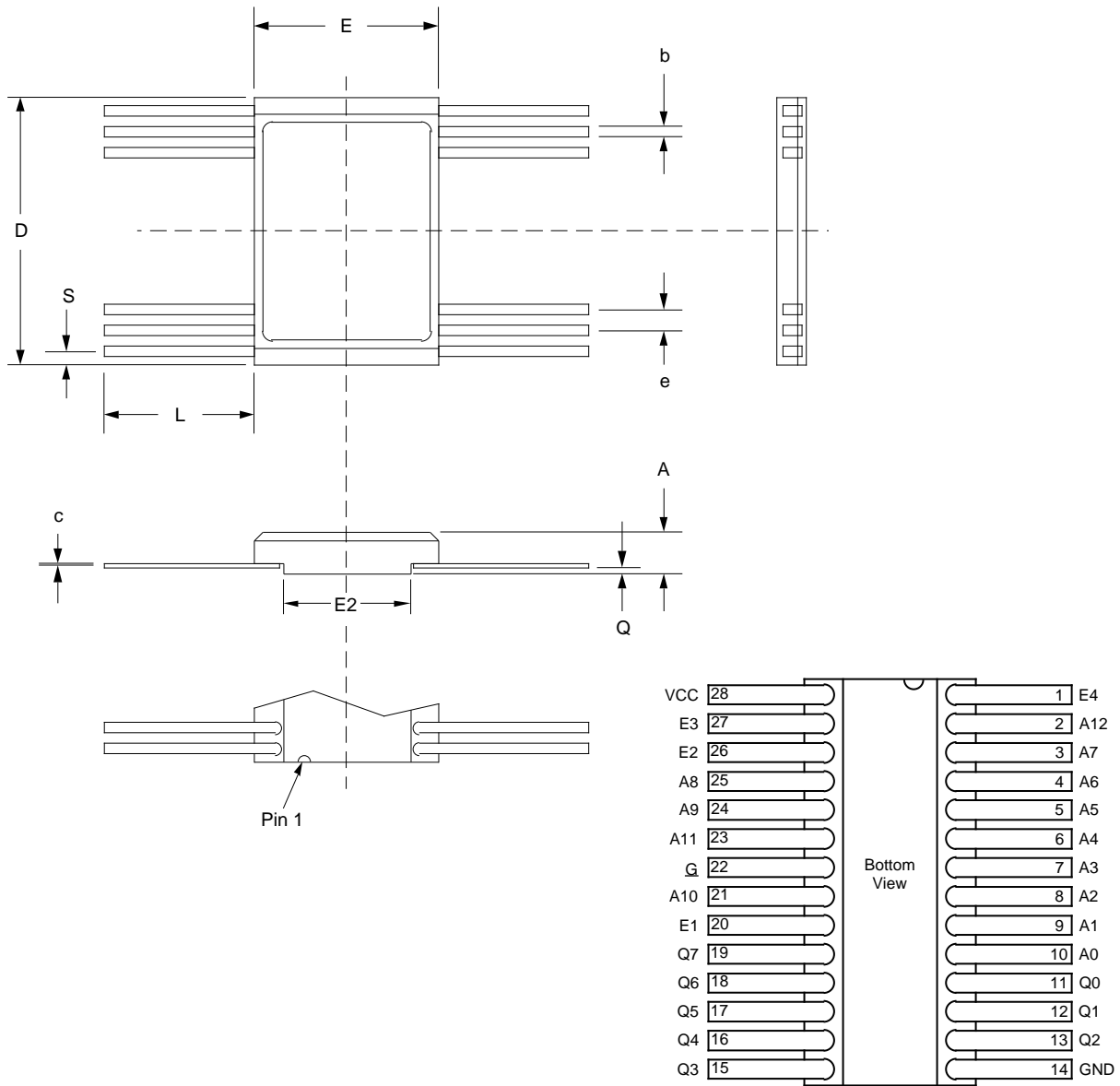


Figure 12: 28-Lead Ceramic DIL (Solder Seal) - Package Style C



Ref	Millimetres			Inches		
	Min.	Nom.	Max.	Min.	Nom.	Max.
A	-	-	2.97	-	-	0.117
b	0.381	-	0.482	0.015	-	0.019
c	0.076	-	0.152	0.003	-	0.006
D	18.08	-	18.49	0.712	-	0.728
E	12.50	-	12.9	0.492	-	0.508
E2	9.45	-	9.85	0.372	-	0.388
e	1.143	-	1.40	0.045	-	0.055
L	8.00	-	9.27	0.315	-	0.365
Q	0.66	-	-	0.026	-	-
S	-	-	1.14	-	-	0.045

XG543

Figure 13: 28-Lead Ceramic Flatpack (Solder Seal) - Package Style F

RADIATION TOLERANCE

Total Dose Radiation Testing

For product procured to guaranteed total dose radiation levels, each wafer lot will be approved when all sample devices from each lot pass the total dose radiation test.

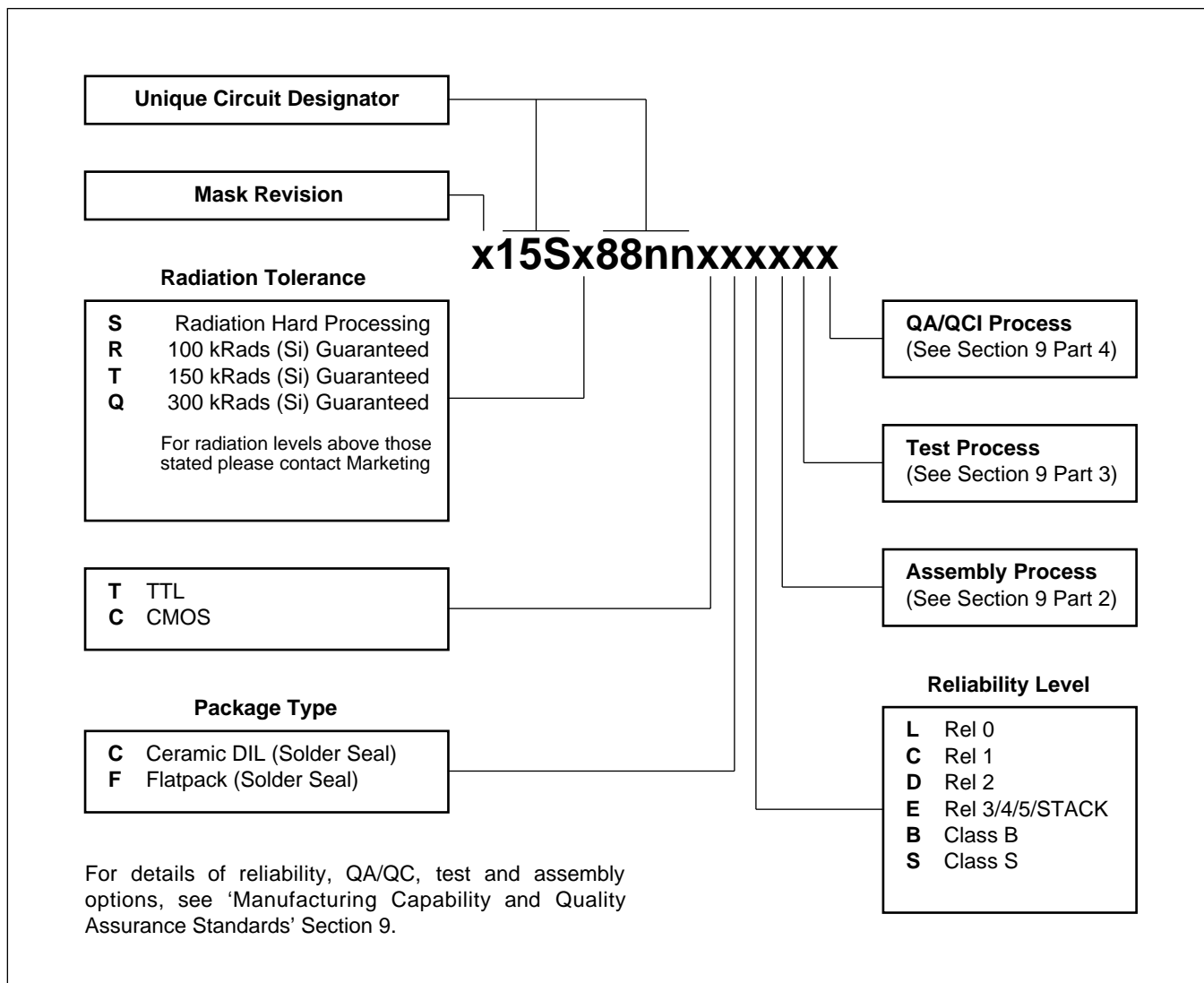
The sample devices will be subjected to the total dose radiation level (Cobalt-60 Source), defined by the ordering code, and must continue to meet the electrical parameters specified in the data sheet. Electrical tests, pre and post irradiation, will be read and recorded.

GEC Plessey Semiconductors can provide radiation testing compliant with MIL-STD-883 test method 1019, Ionizing Radiation (Total Dose).

Total Dose (Basic function)	1x10 ⁵ Rad(Si)
Total Dose (Function to specification)	1x10 ⁶ Rad(Si)
Transient Upset	>10 ¹¹ Rad(Si)/sec
Neutron Hardness (Function to specification)	>10 ¹⁵ neutrons/cm ²
Single Event Upset (GSO 10% worst case)	4.3x10 ⁻¹¹ errors/bitday
Latch-up	Not possible

Figure 14: Typical Radiation Hardness Parameters

ORDERING INFORMATION





HEADQUARTERS OPERATIONS

GEC PLESSEY SEMICONDUCTORS

Cheney Manor, Swindon,
Wiltshire, SN2 2QW, United Kingdom.
Tel: (0793) 518000
Fax: (0793) 518411

GEC PLESSEY SEMICONDUCTORS

P.O. Box 660017,
1500 Green Hills Road, Scotts Valley,
California 95067-0017,
United States of America.
Tel: (408) 438 2900
Fax: (408) 438 5576

CUSTOMER SERVICE CENTRES

- **FRANCE & BENELUX** Les Ulis Cedex Tel: (1) 64 46 23 45 Fax: (1) 64 46 06 07
- **GERMANY** Munich Tel: (089) 3609 06-0 Fax: (089) 3609 06-55
- **ITALY** Milan Tel: (02) 66040867 Fax: (02) 66040993
- **JAPAN** Tokyo Tel: (03) 5276-5501 Fax: (03) 5276-5510
- **NORTH AMERICA** Scotts Valley, USA Tel: (408) 438 2900 Fax: (408) 438 7023
- **SOUTH EAST ASIA** Singapore Tel: (65) 3827708 Fax: (65) 3828872
- **SWEDEN** Stockholm Tel: 46 8 702 97 70 Fax: 46 8 640 47 36
- **TAIWAN, ROC** Taipei Tel: 886 2 5461260 Fax: 886 2 7190260
- **UK, EIRE, DENMARK, FINLAND & NORWAY** Swindon, UK Tel: (0793) 518510
Fax: (0793) 518582

These are supported by Agents and Distributors in major countries world-wide.

© GEC Plessey Semiconductors 1993 Publication No. DS3832-2.1 August 1993

TECHNICAL DOCUMENTATION - NOT FOR RESALE. PRINTED IN UNITED KINGDOM.

This publication is issued to provide information only which (unless agreed by the Company in writing) may not be used, applied or reproduced for any purpose nor form part of any order or contract nor to be regarded as a representation relating to the products or services concerned. No warranty or guarantee express or implied is made regarding the capability, performance or suitability of any product or service. The Company reserves the right to alter without prior knowledge the specification, design or price of any product or service. Information concerning possible methods of use is provided as a guide only and does not constitute any guarantee that such methods of use will be satisfactory in a specific piece of equipment. It is the user's responsibility to fully determine the performance and suitability of any equipment using such information and to ensure that any publication or data used is up to date and has not been superseded. These products are not suitable for use in any medical products whose failure to perform may result in significant injury or death to the user. All products and materials are sold and services provided subject to the Company's conditions of sale, which are available on request.