



## MC-SP150DNB Conventional type

### Features

- Apply For LCD Display, Indicators, Illuminations, etc.
- Compatible With Automatic Placement Equipment
- Compatible With Reflow Solder Process

### Maximum Ratings

- Operating Temperature: -30°C to +80°C
- Storage Temperature: -40°C to +85°C
- 84 mWatt DC Power Dissipation
- Reverse Voltage: 5.0V
- Forward Current: 30 mA
- Peak Forward Current: 100\*\*mA(I<sub>F</sub>)

\*\* Pulse test: Pulse width  $\leq 0.1$ msec, Duty cycle  $\leq 10\%$

## Single Color Surface Mounted Chip LED Size :0805

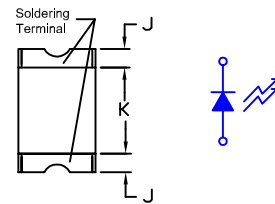
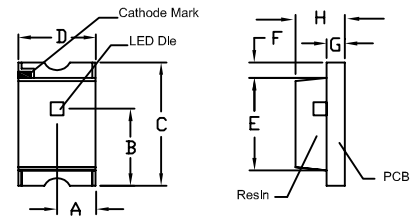
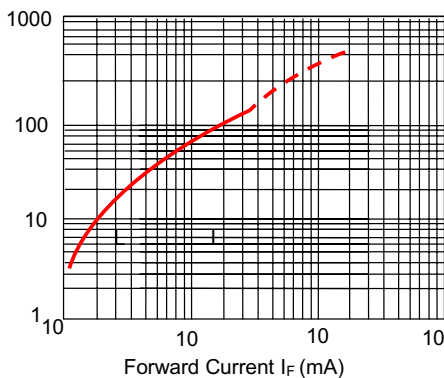
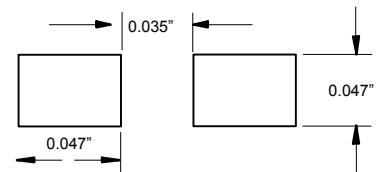


Figure 1  
Luminous Intensity VS .Forward Current



DIM	INCHES		MM		NOTE
	MIN	MAX	MIN	MAX	
A	0.021	0.029	0.525	0.725	
B	0.045	0.053	1.15	1.35	
C	0.075	0.083	1.9	2.1	
D	0.045	0.053	1.15	1.35	
E	0.051	0.059	1.3	1.5	
F	0.008	0.016	0.2	0.4	
G	0.016	0.024	0.4	0.6	
H	0.039	0.047	1.0	1.2	
J	0.012	0.020	0.3	0.5	
K	0.043	0.051	1.1	1.3	

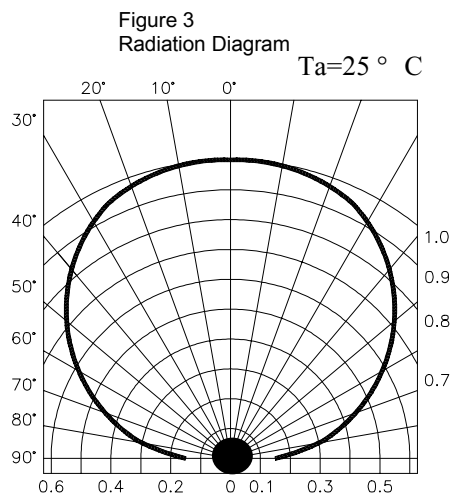
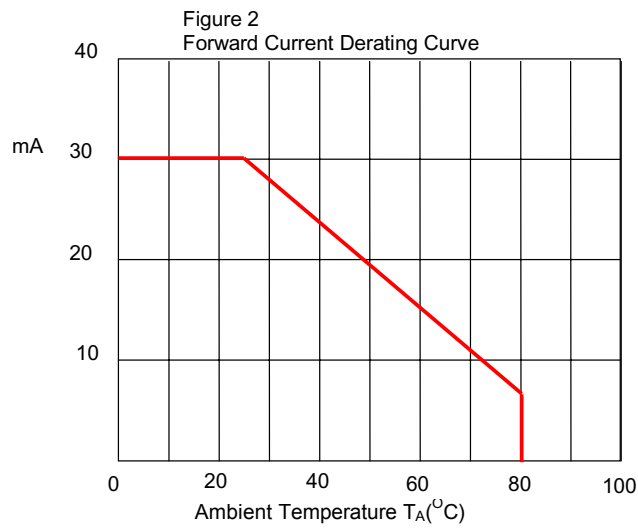
### SUGGESTED SOLDER PAD LAYOUT



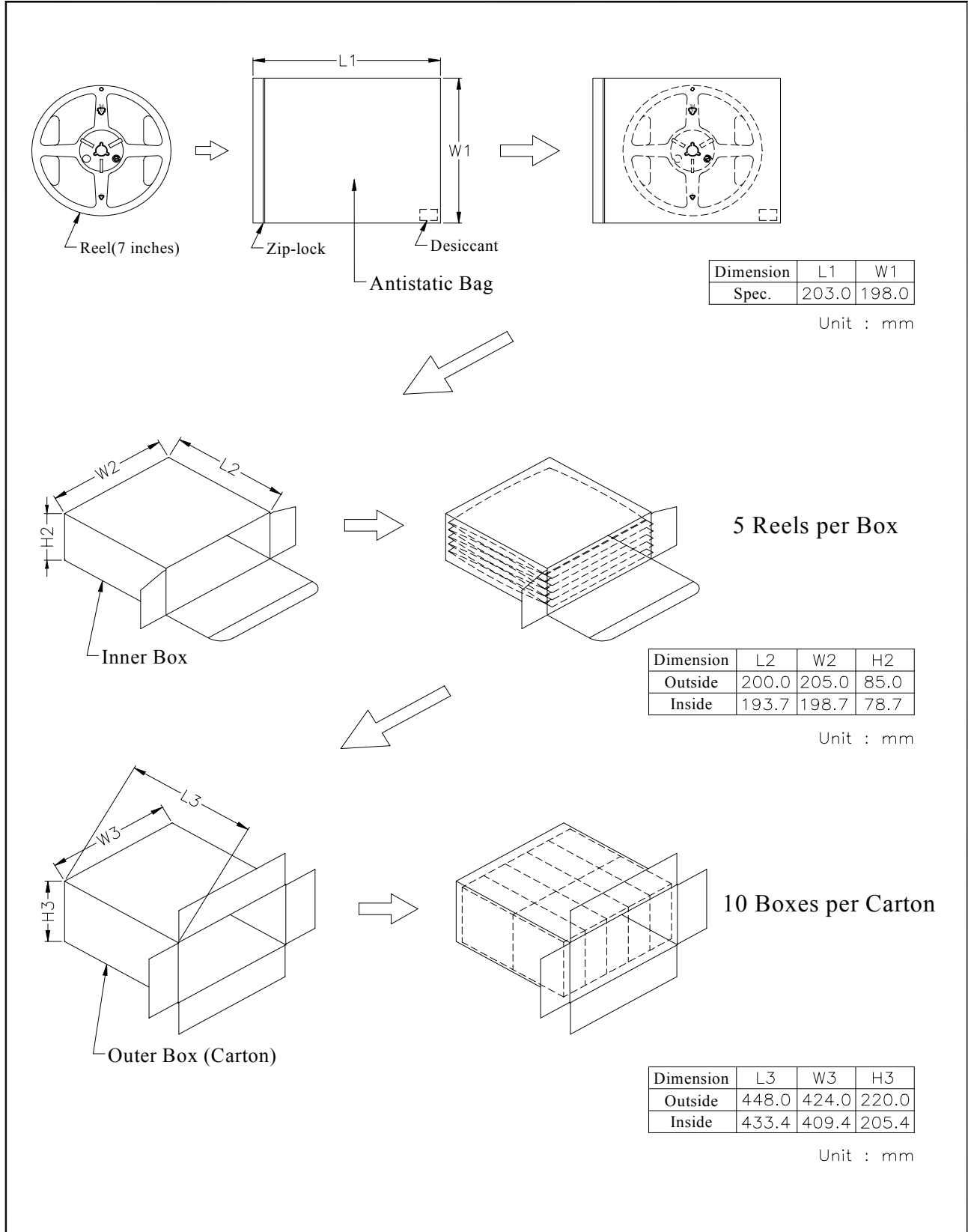
# MC-SP150DNB

## ELECTRICAL CHARACTERISTICS @25°C

MCC PART NUMBER	LIGHTING COLOR	MATERIAL	VF(V)		λ(nm)		VIEW ANGLE	Iv*(mcd) TYP
			TYPE	MAX	λ p	λ D		
MC-SP150DNB	Blue	InGaN	3.5	4.2	468	470	140°	40



◆ Packing and Shipping Spec.



**Tape Specification: 3000pcs Per Reel**

Packing Size												
Item	M	G	L	N	H	R	J	K	P	F	A	B
Spec.	8.00	4.00	1.75	3.50	1.50	1.00	4.00	2.00	1.40	2.30	1.10	0.23
Tolerance	±0.20	±0.10	±0.10	±0.05	+ 0.10 - 0.00	±0.10	±0.05	±0.05	±0.10	±0.10	±0.10	±0.05

