

Monolithic crystal filter

MQF10.0-0760/01 (preliminary specification)



Application

- 2 pol filter
- i.f.- filter
- use in mobile and stationary transceivers

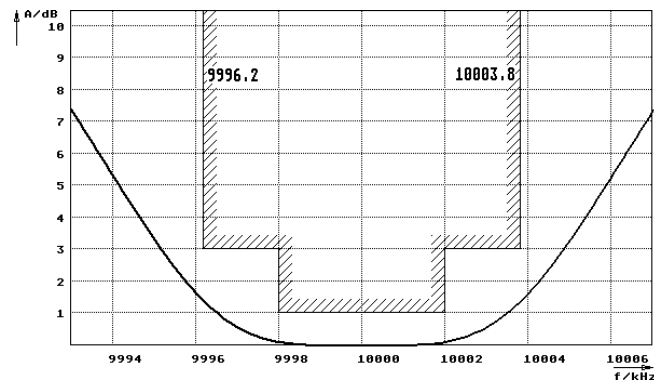
Limiting values		Unit	Value
Nominal frequency	f_0	MHz	10.0
Insertion loss		dB	< 1.0
Pass band at 3.0dB		kHz	$\pm > 3.8$
Ripple in pass band	$f_0 \pm 2 \text{ kHz}$	dB	< 1.0
Stop band attenuation	$f_0 \pm 40 \text{ kHz}$	dB	> 30
Alternate attenuation	$f_0 \pm 60 \dots 600 \text{ kHz}$	dB	> 40
Spurious responses:		dB	> 14

Terminating impedance Z			
R1 C1		Ohm/pF	3900 2
R2 C2		Ohm/pF	3900 2

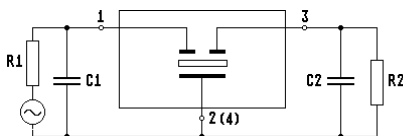
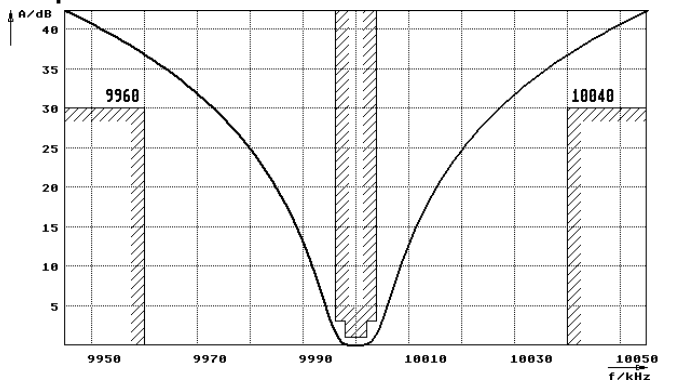
Operating temp. range		°C	-25... +55
-----------------------	--	----	------------

Characteristics MQF10.0-0760/01

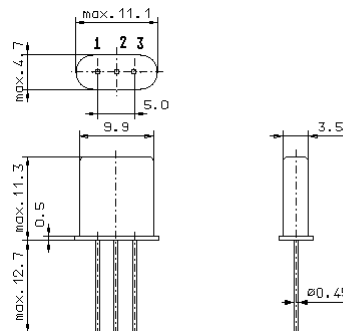
Pass band



Stop band



- Pin connections:
- 1 Input
 - 2 Ground-Input
 - 3 Output
 - 4 Ground-Output



GH3