

Resistor/Capacitor Networks, Molded SIP



ELECTRICAL SPECIFICATIONS - RESISTORS

Resistance Range: 50 ohms to 1 kilohm. Others available.

Resistance Tolerance: $\pm 2\%$, $\pm 5\%$ standard.
 $\pm 1\%$ available.

Temperature Coefficient of Resistance: ± 150 ppm/ $^{\circ}\text{C}$.

Operating Temperature Range: -55°C to $+125^{\circ}\text{C}$.

Operating Voltage: 50 VDC maximum. Higher voltage available.

FEATURES

- Custom schematics available.
- NPO or X7R capacitors for line terminator.
- Wide operating temperature range.
- Molded epoxy case.
- Solder coated copper terminals.
- Solderability per MIL-STD-202 method 208E.
- Marking resistance to solvents per MIL-STD-202 method 215.

ELECTRICAL SPECIFICATIONS - CAPACITORS

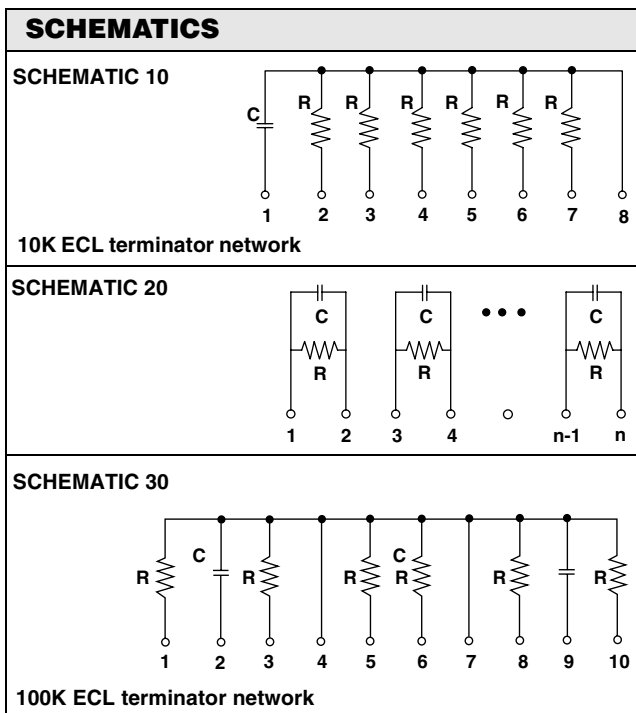
Type: NPO or X7R.

NPO Capacitance Range Standard: 33 pF - 3900 pF, other values available.

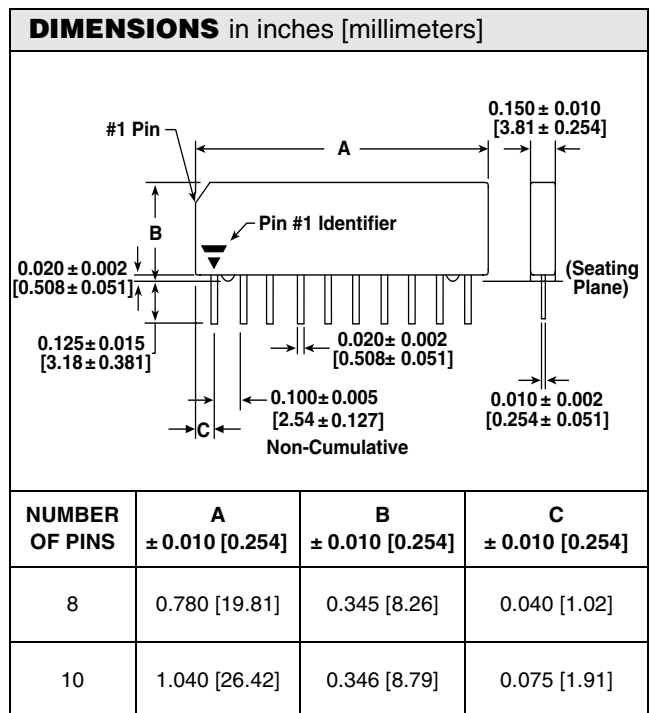
X7R Capacitance Range: 470 pF - 0.1 μF , other values available.

Tolerance: NPO Type = $\pm 10\%$, $\pm 20\%$.
X7R Type = $\pm 10\%$, $\pm 20\%$. Tighter tolerance available.
Consult factory at +1-909-923-3313.

Voltage Rating: 50 VDC. Higher voltage available.



NOTE: Custom schematics available.



ORDERING INFORMATION							
MRCN	XX	XX	XXX	X	XXX	X	e3
MODEL	NUMBER OF PINS	SCHEMATIC	RESISTANCE VALUE (Ohms)	RESISTANCE TOLERANCE	CAPACITANCE VALUE (pF)	CAPACITANCE TOLERANCE*	LEAD TERMINATION
			First two digits are significant, third digit signifies number of zeros to follow.	F = $\pm 1\%$ G = $\pm 2\%$ J = $\pm 5\%$	First two digits are significant, third digit signifies number of zeros to follow.	K = $\pm 10\%$ M = $\pm 20\%$	e3 = SnAg 95/5
*Tighter tolerance available.							



Notice

Specifications of the products displayed herein are subject to change without notice. Vishay Intertechnology, Inc., or anyone on its behalf, assumes no responsibility or liability for any errors or inaccuracies.

Information contained herein is intended to provide a product description only. No license, express or implied, by estoppel or otherwise, to any intellectual property rights is granted by this document. Except as provided in Vishay's terms and conditions of sale for such products, Vishay assumes no liability whatsoever, and disclaims any express or implied warranty, relating to sale and/or use of Vishay products including liability or warranties relating to fitness for a particular purpose, merchantability, or infringement of any patent, copyright, or other intellectual property right.

The products shown herein are not designed for use in medical, life-saving, or life-sustaining applications. Customers using or selling these products for use in such applications do so at their own risk and agree to fully indemnify Vishay for any damages resulting from such improper use or sale.