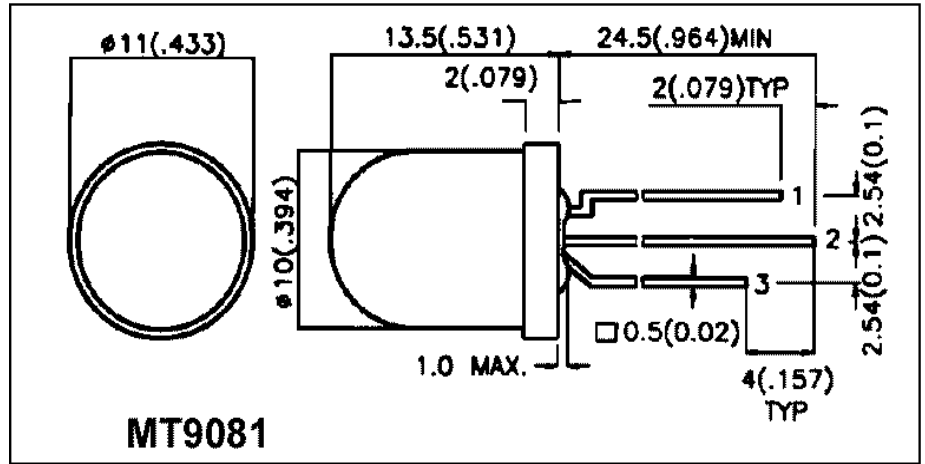


Features

Bi-color LED lamp
White diffused lens



Series Line-Up

Part Number	Color	Material
MT9081-HRG	Ultra Bright High Efficiency Red	InGaAlP
	Green	GaP

Maximum Ratings (Ta=25°C)

Part Number	Forward Current I _F	Reverse Voltage V _R	Power Dissipation P _D	Operating Temperature T _{opr}	Storage Temperature T _{stg}
MT9081-HRG	30	5	85.00	-25 ~ +85	-25 ~ +100
	30	5	85.00	-25 ~ +85	-25 ~ +100
Unit	mA	V	mW	°C	°C

Electrical and Optical Characteristics (Ta=25°C)

Part Number	PWL nm λ_P	Material	View Angle $2\theta_{1/2}$	Luminous Intensity I_v				Forward Voltage V_F				Rev Current I_R	
				min.	typ.	max.	IF@	min.	typ.	max.	IF@	max.	VR@
MT9081-HRG	623	InGaAlP	50°	-	40.00	-	20mA	-	2.00	2.50	20mA	100	5V
	565	GaP	50°	-	40.00	-	20mA	-	2.20	2.50	20mA	100	5V
-	nm	-	deg	mcd				-	V		-	μA	-

NOTES:

- All Dimensions are in millimeters.
- Tolerance is $\pm 0.25\text{mm}$ unless otherwise stated.
- An Epoxy Meniscus may extend about 1mm down the leads.
- Burr around bottom of epoxy may be around 0.5mm MAX.
- Specifications are subject to change without notice.