

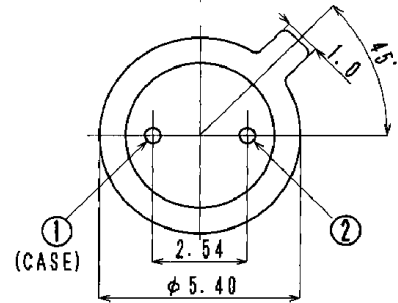
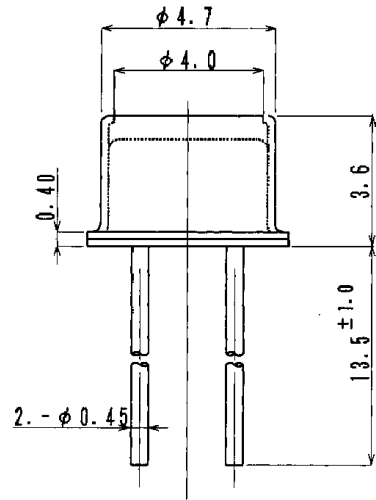
MTPS9087W

Features

- High Power Output
- High Reliability in Demanding Environments
- Point Source LED
- Small Temp. Coefficient of PO
- Emitting Window Diameter 150 μ m

Applications

- Optical Switches
- Optical Instruments



① Cathode ② Anode

Maximum Ratings (Ta=25°C)

Characteristic	Symbol	Max.	Test Condition	Unit
Forward Current	I _F	100	–	mA
Pulsed Forward Current	I _{FP}	.80	tw=10 μ S, T=10mS	A
Reverse Voltage	V _R	5	–	V
Power Dissipation	P _D	180.00	–	mW
Operating Temperature	T _{opr}	-30 ~ +100	–	°C
Storage Temperature	T _{stg}	-40 ~ +125	–	°C
Junction Temperature	T _j	125	–	°C
Soldering Temperature	T _{sol}	260	for 5 sec. max	°C

Opto-Electrical Characteristics (Ta=25°C)

Characteristic	Symbol	Test Condition	Min	Typ	Max	Unit
Forward Voltage	V _F	I _F =50mA	–	1.45	1.80	V
Reverse Current	I _R	V _R =5V	–	–	10	μ A
Power Output	PO	I _F =50mA	3.60	6.00	–	mW
Half Intensity Beam Angle	θ	–	–	$\pm 20^\circ$	–	deg.
Peak Wavelength	λ_p	I _F =50mA	–	880	–	nm
Spectral Line Half Width	$\Delta\lambda$	I _F =50mA	–	40	–	nm
Temp Coefficient of PO	P/T	I _F =10mA	–	–.05	–	%/°C
Temp Coefficient of VF	V/T	I _F =10mA	–	–1.60	–	mV/°C
Junction Capacitance	C _j	1MHz, V=0V	–	65	–	pF
Cut-Off Frequency	f _c	I _{FP} =50mA+20mA _{p-p}	--	6	–	MHz

Company Headquarters

3 Northway Lane North
Latham, New York 12110
Toll Free: 800.984.5337
Fax: 518.785.4725

West Coast Sales Office

950 South Coast Drive, Suite 225
Costa Mesa, California 92626
Toll Free: 800.984.5337
Fax: 714.850.9314

MTPS9087W Graphs

