

FEATURE

- Ultra high brightness red GaAlAs
- 0.39 inch character height
- High Contrast
- Wide Viewing Angle
- Common Anode - MU140A
- Common Cathode - MU140C

ABSOLUTE MAXIMUM RATINGS (Ta=25°C)

Power Dissipation / Segment	P_d	100mW
Peak Forward Current / Segment	$I_{F/Pulse*}$	200mA
Continuous Forward Current / Segment	$I_{F/DC}$	40mA
Reverse Voltage / Segment	V_R	5V
Operating Temperature Range	T_{opr}	-20 to +80°C
Storage Temperature Range	T_{stg}	-20 to +75°C
Lead Soldering Temperature (1/16" from body)		260°C for 5 sec.

* Note : Pulse Width = 1mS, Duty Ratio = 1/10.

ELECTRO-OPTICAL CHARACTERISTICS (Ta=25°C)

PARAMETER	SYMBOL	MIN	TYP	MAX	UNIT	CONDITIONS
Forward Voltage	V_F		1.8	2.4	V	$I_F=20mA$
Luminous Intensity	I_v	1800	3000		μcd	$I_F=10mA$
Segment to Segment Luminous Intensity Ratio				2:1		$I_F=10mA$
Peak Wavelength	λ_p		660		nm	$I_F=20mA$
Spectral Line Half Width	$\Delta\lambda$		20		nm	$I_F=20mA$



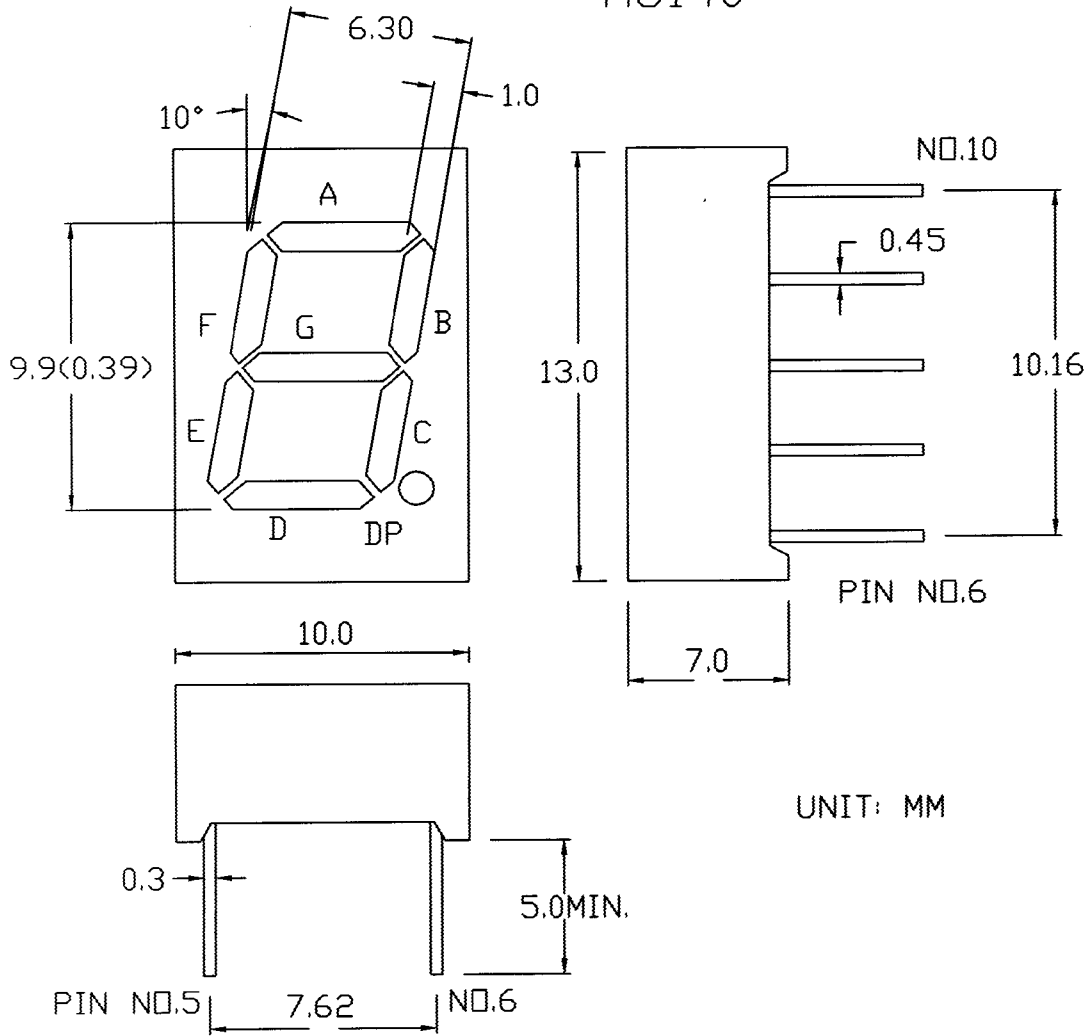
MICRO ELECTRONICS LTD.

38, Hung To Road, Microtron Bulding, Kwun Tong, Kowloon, Hong Kong.
 Kwun Tong P.O. Box 69477 Hong Kong. Fax No. 2341 0321 Telex:43510 Micro Hx. Tel: 2343 0181-5

Nov-96

MECHANICAL OUTLINE:

MU140



UNIT: MM

CIRCUIT DIAGRAM:

