

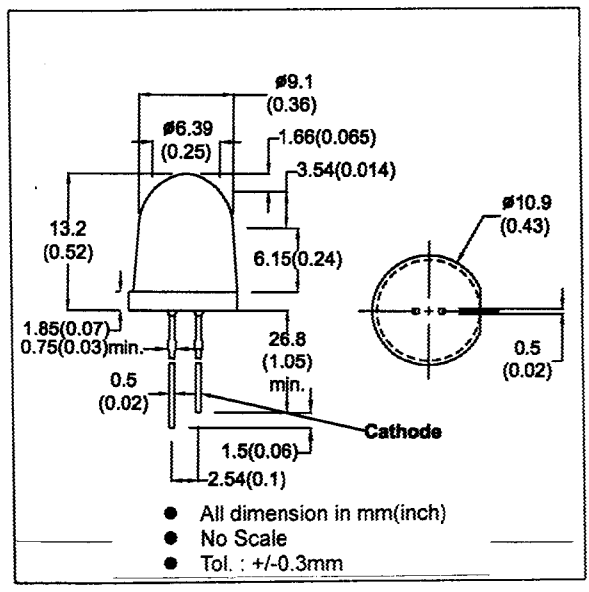
# MICRO

ELECTRON

MYB90TA-2  
ULTRA HIGH  
BRIGHTNESS  
YELLOW LED LAMP

## DESCRIPTION

MYB90TA is high efficiency yellow LED lamp encapsulated in a  $\varnothing$  10mm clear transparent lens.



## ABSOLUTE MAXIMUM RATINGS

Power Dissipation @ Ta=25°C	60mW
Forward Current, DC (IF)	40mA
Reverse Voltage	5V
Operating & Storage Temperature Range	-55 to +100°C
Lead Temperature	260°C

## ELECTRO-OPTICAL CHARACTERISTICS (Ta=25°C)

PARAMETER	SYMBOL	MIN	TYP	MAX	UNIT	CONDITIONS
Forward Voltage	VF			3.0	V	IF=20mA
Reverse Breakdown Voltage	BVR	5			V	IR=100μA
Luminous Intensity	IV				mcd	IF=20mA
	MYB90TA-1	3000	5000		mcd	IF=20mA
	MYB90TA-2	5000	8000		mcd	IF=20mA
	MYB90TA-3	8000	12000		mcd	IF=20mA
Peak Wavelength	λp		585		nm	IF=20mA
Spectral Line Half Width	Δλ		35		nm	IF=20mA



MICRO ELECTRONICS LTD. 美科有限公司  
38, Hung To Road, Microtron Building, Kwun Tong, Kowloon, Hong Kong.  
Kwun Tong P.O. Box 69477 Hong Kong. Fax No. 2341 0321 Telex: 43510 Micro Hx. Tel: 2343 0181-5