



P/ACTIVE PRECISION VOLTAGE DIVIDER NETWORK

Features

- Matched resistor pair
- Tight parametric control
- Long term stability
- SOT-23 package for space critical applications

Applications

- Matched resistor pair
- Precision division
- D/A conversion
- Specific Harris HIP5020 support circuit

Refer to AP-202 Precision Divider Application Note for further information.

Product Description

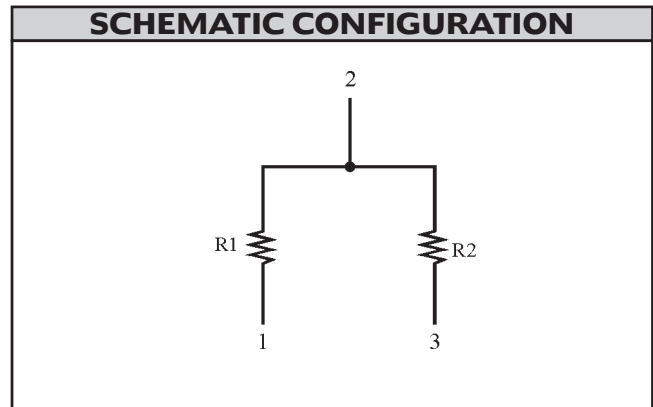
CAMD's PAC27A01 is a precision ratio matched resistor voltage divider network designed to provide tight element-to-element parametric control and long term stability over time and temperature.

The PAC27A01 supports the Harris HIP5020 Integrated Buck Converter Controller and can also serve other requirements for precision voltage division.

STANDARD SPECIFICATIONS	
Absolute Tolerance (R)	±5%
Ratio Tracking ($0^{\circ}\text{C} \leq T_A \leq 70^{\circ}\text{C}$)	±0.5%
Operating Temperature Range	0°C to 70°C
Power Rating/Resistor	25mW @ 70°C
Storage Temperature	-65°C to 150°C
Package Power Rating	0.225W @ 70°C

STANDARD VALUES		
R1(KΩ)	R2(KΩ)	Code
12.4	20	A01T

NON-STANDARD VALUES	
Ratio Tracking ($0^{\circ}\text{C} \leq T_A \leq 70^{\circ}\text{C}$)	±0.5%
R2 range	6Ω to 10KΩ
R2 range	10Ω to 18KΩ



STANDARD PART ORDERING INFORMATION				
Package		Ordering Part Number		
Pins	Style	Tubes	Tape & Reel	Part Marking
3	SOT-23	PAC27A01T/B	PAC27A01T/R	A01T*

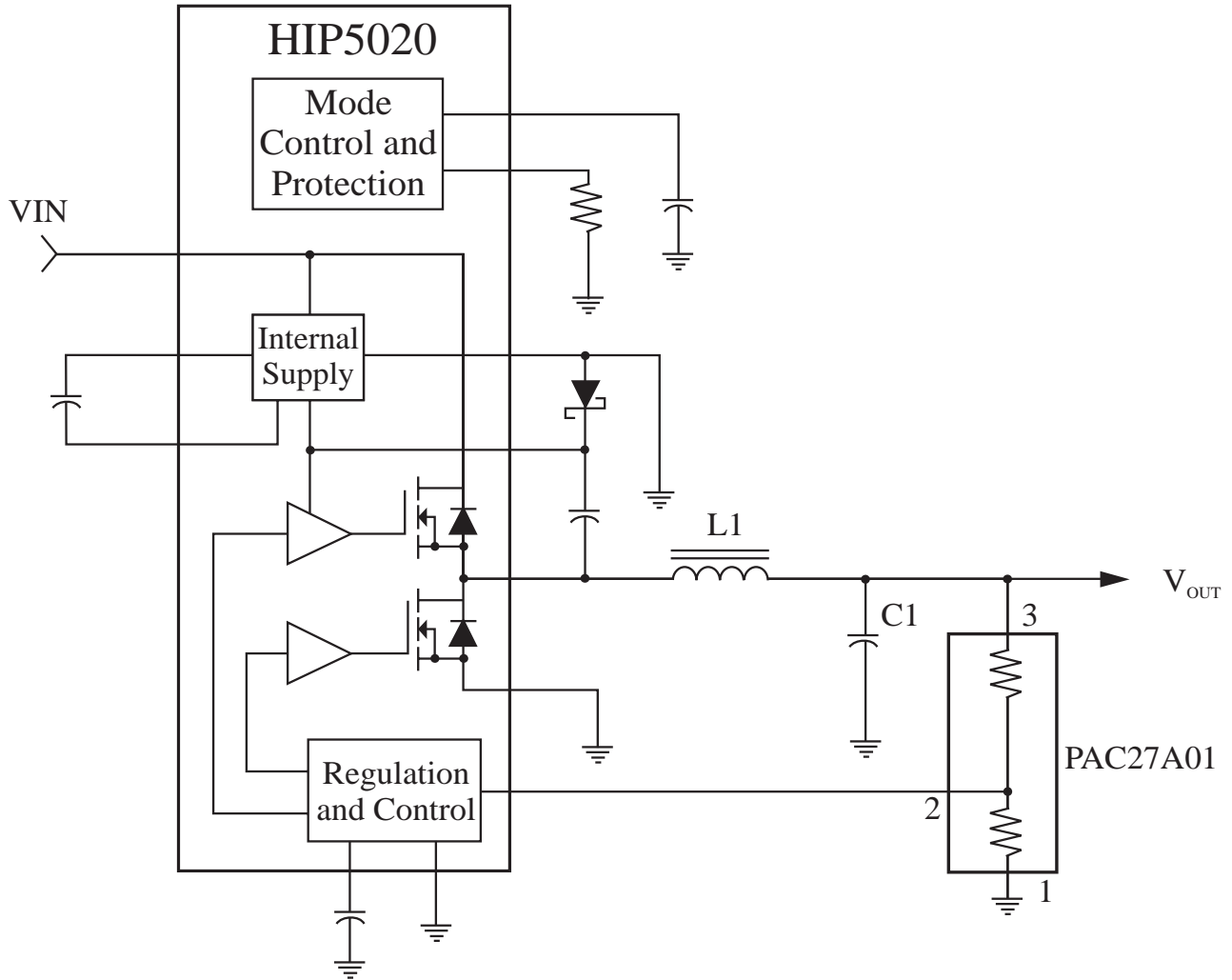
* For Harris 5020 application (R1 = 12.4K, R2 = 20K) only.

STANDARD PART ORDERING INFORMATION				
Package		Ordering Part Number		
Pins	Style	Tubes	Tape & Reel	Part Marking
3	SOT-23	PAC27AXXT/B	PAC27AXXT/R	TBD

Contact factory for other part marking designations.



Application Diagram*



* Harris HIP5020 typical application