

PC1379

LINEAR INTEGRATED CIRCUIT

1-CHIP DEFECTION SYSTEM

DESCRIPTION

The Contek PC1379 consists of a vertical system, including function and a horizontal system, including an AFC function. It is for use in small size color TVs, B/W TV receivers and monitors.

FEATURES

- *Low power consumption, direct deflection coil driving capability(Fly-back voltage two times as high supply voltage is supplied during fly-back period only)
- *Variable circuit of vertical retrace time on chip

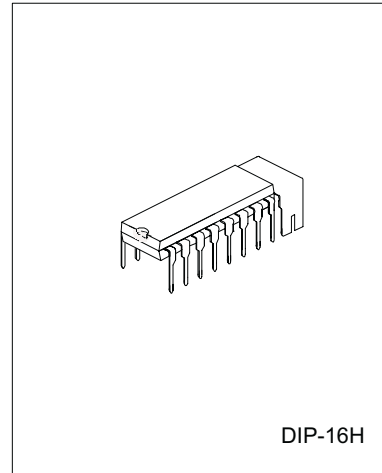
FUNCTIONS

HORIZONTAL SECTION

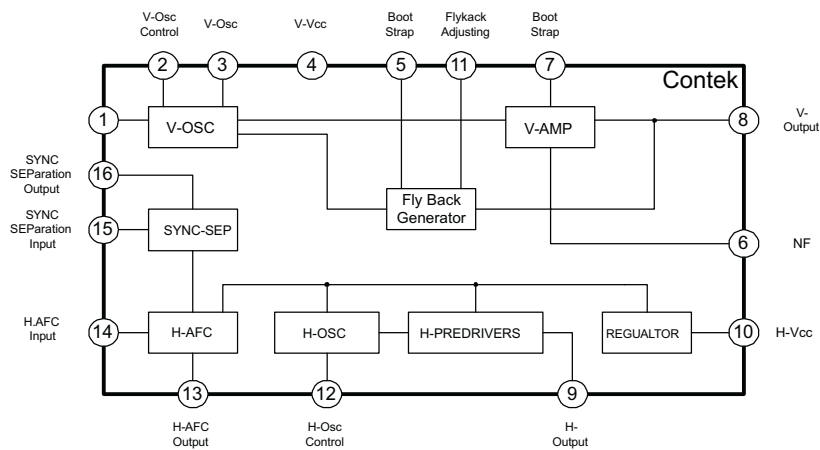
- *SYNC separation
- *Horizontal Oscillators
- *Horizontal Pre-drivers
- *Horizontal AFCs
- *Shunt Regulator(Typical 6.7V)

VERTICAL SECTION

- *Vertical Oscillator
- *Vertical Pre-drivers
- *Vertical Output
- *Fly-back generators



BLOCK DIAGRAM



Contek Microelectronics Co.,Ltd.

<http://www.contek-ic.com> E-mail:sales@contek-ic.com

ABSOLUTE MAXIMUM RATINGS(Ta=25 C)

PARAMETER	SYMBOL	VALUE	UNIT
Vertical Supply Voltage	Vcc	15	V
Horizontal Supply Current	I10	30	mA
Vertical Output Current	I8	-500 ~ +500	ma peak
Horizontal Output Current(pulse)	I9	-15 ~ +5	mA
Fly-back Generator Output Current	I6	-500 ~ +500	ma peak
Operating Temperature	Topr	-20 ~ +75	C
Storage Temperature	Tstg	-55 ~ +155	C
Power Dissipation	Pd	1.3	W

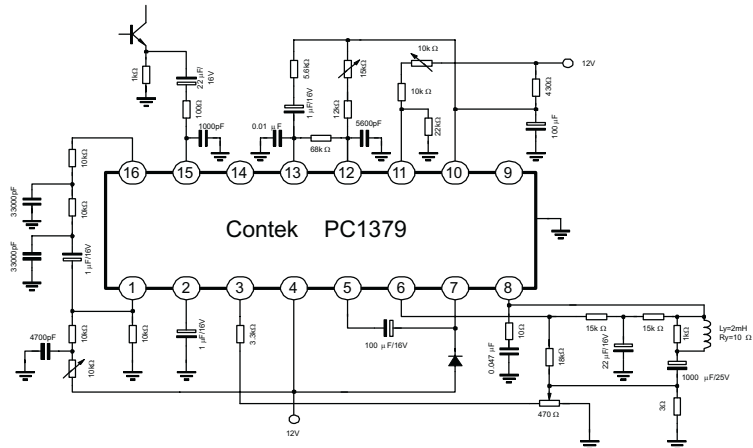
ELECTRONICAL CHARACTERISTICS(Ta=25 C,VCC=12V,I10=12mA, unless otherwise specified)

PARAMETER	SYMBOL	TEST CONDITIONS	MIN	TYP	MAX	UNIT
Recommend Vertical Supply Voltage	Vcc		9.6	12	14	V
Horizontal Supplu Current	I10		6.5	12	18	mA
Vertical Supply Current	Icc(1)	SWA=2		85	100	mA
Vertical Supply Current	Icc(2)	No Input Signal, SWA=2	6	12	20	mA
Vertical Free Running Frequency	Fvo	SWA=1	55	60	65	Hz
Drift of Vertical Free Running Frequency	Fvo/Vcc	Fvo=Fvo(14.4V)-Fvo(9.6V) SWA=2		0.8	2	Hz
	Fvo/Ta	Fvo=Fvo(-20 C)-Fvo(70 C) SWA=2		1.5	2	Hz
Vertical Output Center Voltage	Vmid	SWA=2	5.3	5.8	6.3	V
Vertical Output Current	IB	SWA=2	450	500	550	mAp-p
Horizontal Supply Voltage	V10	SWB=2	6.2	6.7	7.2	V
Horizontal Free Running Frequency	FHO	I10=12mA SWB=1	15	15.75	16.5	KHZ
Horizontal Output Pulse Width	THPW	FHO=15.75KHZ. SWB=2	23	25	27	US
Horizontal Output Current	I9	SWB=2	0.8	1.3	2.0	mA

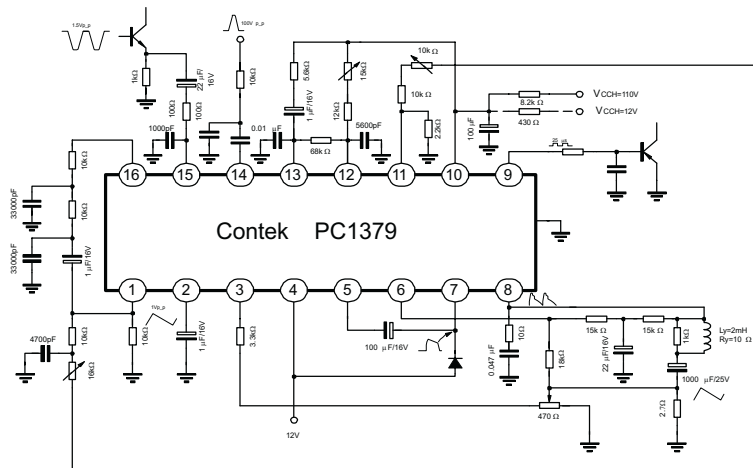
PC1379

LINEAR INTEGRATED CIRCUIT

TEST CIRCUIT



APPLICATION CIRCUIT



Contek Microelectronics Co.,Ltd.

<http://www.contek-ic.com> E-mail:sales@contek-ic.com