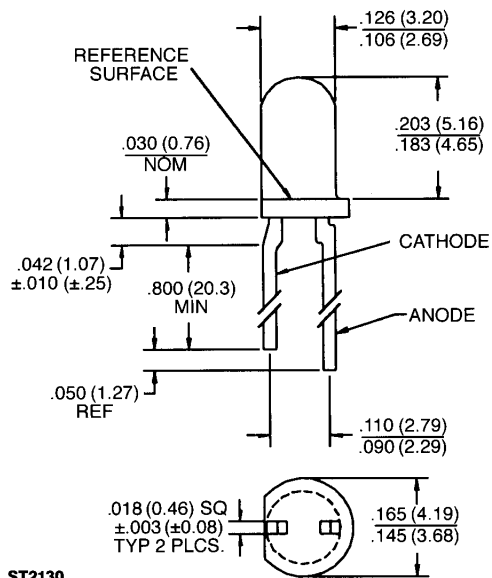




GaAs INFRARED EMITTING DIODE

QEC112/113

PACKAGE DIMENSIONS



ST2130

NOTES:

1. DIMENSIONS ARE IN INCHES (mm).
2. TOLERANCE IS $\pm .010$ (.25) UNLESS OTHERWISE SPECIFIED.
3. FLAT DENOTES CATHODE.

DESCRIPTION

The QEC11X is a 940 nm GaAs LED encapsulated in a clear, peach tinted, plastic T-1 package.

FEATURES

- Tight production E_s distribution.
- Steel lead frames for improved reliability in solder mounting.
- Good optical-to-mechanical alignment.
- Narrow emission angle.
- Mechanically and wavelength matched to QSC11X series phototransistor.
- Plastic package color allows easy recognition from phototransistor.
- High irradiance level.



GaAs INFRARED EMITTING DIODE

ABSOLUTE MAXIMUM RATINGS ($T_A = 25^\circ\text{C}$ Unless Otherwise Specified)	
Storage Temperature	-40°C to + 100°C
Operating Temperature	-40°C to + 100°C
Soldering:	
Lead Temperature (Iron)	240°C for 5 sec. ^(2,3,4,5)
Lead Temperature (Flow)	260°C for 10 sec. ^(2,3,5)
Continuous Forward Current	50 mA
Reverse Voltage	5.0 Volts
Power Dissipation	100 mW ⁽¹⁾

ELECTRICAL CHARACTERISTICS ($T_A = 25^\circ\text{C}$ Unless Otherwise Specified) (All measurements made under pulse conditions.)						
PARAMETER	SYMBOL	MIN.	TYP.	MAX.	UNITS	TEST CONDITIONS
Forward Voltage	V_F	—		1.50	V	$I_F = 20\text{ mA}$
Reverse Leakage Current	I_R	—		10	μA	$V_R = 5.0\text{ V}$
Peak Emission Wavelength	λ_P	—	940	—	nm	$I_F = 20\text{ mA}$
Emission Angle at 1/2 Power	θ	—	± 8	—	Degrees	
Radiant Incidence QSC112	E_s	0.03		0.15	mW/10° Cone	$I_F = 20\text{ mA}$ ^(6,7)
Radiant Incidence QSC113	E_s	0.07		—	mW/10° Cone	$I_F = 20\text{ mA}$ ^(6,7)

NOTES
<ol style="list-style-type: none"> 1. Derate power dissipation linearly 1.33 mW/°C above 25°C. 2. RMA flux is recommended. 3. Methanol or Isopropanol alcohols are recommended as cleaning agents. 4. Soldering iron tip 1/16" (1.6 mm) minimum from housing. 5. As long as leads are not under any stress or spring tension. 6. Measurement is taken at the end of a single 100 μsec pulse. 7. E_s is a measurement of the average apertured radiant energy incident upon a sensing area 0.444" (11.3 mm) in diameter, perpendicular to and centered on the mechanical axis of the lens, and 2.54" (64.4 mm) from the measurement surface. E_s is not necessarily uniform within the measurement area.