

28mm(1-1/8 Inch) diameter, Good near IR response  
with prismatic window, 11-stage, Head-on type

## GENERAL

Parameter		Description / Value	Unit
Spectral Response		300 to 900	nm
Wavelength of Maximum Response		420	nm
Photocathode	Material	Multialkali	–
	Minimum Effective Area	25	mm dia.
Window Material		Borosilicate glass	–
Dynode	Structure	Box-and-grid	–
	Number of Stages	11	–
Direct Interelectrode Capacitances	Anode to Last Dynode	3.0	pF
	Anode to All Other Electrodes	3.5	pF
Base		14-pin glass base	–
Suitable Socket		E678-14C (supplied)	–

## MAXIMUM RATINGS (Absolute Maximum Values)

Parameter		Value	Unit
Supply Voltage	Between Anode and Cathode	1500	Vdc
	Between Anode and Last Dynode	250	Vdc
Average Anode Current		0.1	mA
Ambient Temperature		-80 to +50	°C

## CHARACTERISTICS (at 25 °C)

Parameter		Min.	Typ.	Max.	Unit
Cathode Sensitivity	Luminous (2856K)	130	230	–	$\mu$ A/lm
	Radian at 420nm	–	65	–	mA/W
	Red/White Ratio (R-68)	–	0.25	–	–
Anode Sensitivity	Luminous (2856K)	30	180	–	A/lm
	Radian at 420nm	–	$5.1 \times 10^4$	–	A/W
Gain		–	$7.8 \times 10^5$	–	–
Anode Dark Current (after 30min. storage in darkness)		–	5	25	nA
Time Response	Anode Pulse Rise Time	–	15	–	ns
	Electron Transit Time	–	60	–	ns

**NOTE:** Anode characteristics are measured with the voltage distribution ratio shown below.

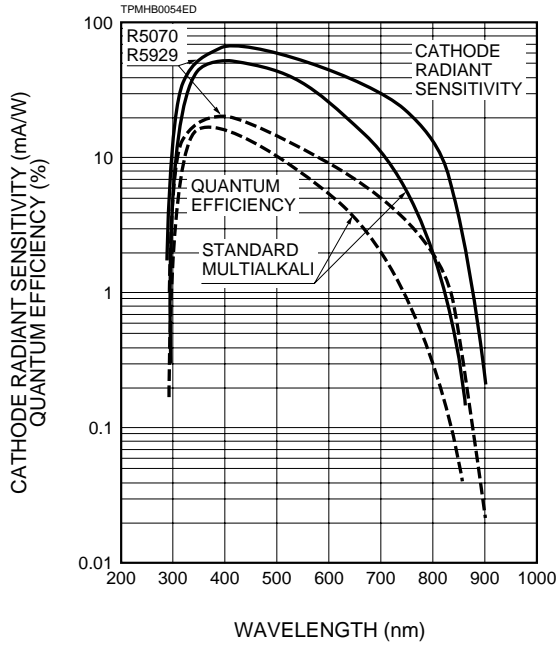
## VOLTAGE DISTRIBUTION RATIO AND SUPPLY VOLTAGE

Electrodes	K	Dy1	Dy2	Dy3	Dy4	Dy5	Dy6	Dy7	Dy8	Dy9	Dy10	Dy11	P
Ratio	1	1	1	1	1	1	1	1	1	1	1	1	1

Supply Voltage : 1000Vdc, K : Cathode, Dy : Dynode, P : Anode

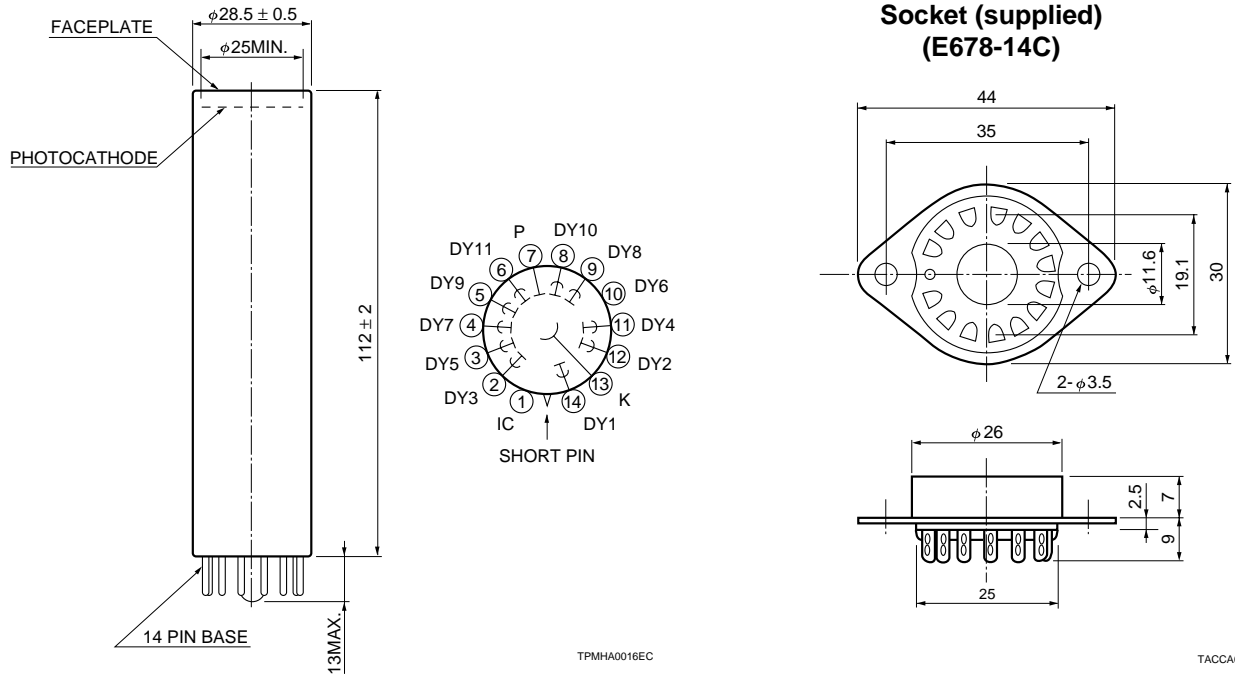
# PHOTOMULTIPLIER TUBE R5929

Figure 1: Typical Spectral Response



Wavelength (nm)	400	500	600	700	800
Ratio of Sensitivity Increase (%)	+30	+35	+70	+150	+500

Figure 2: Dimensional Outline and Basing Diagram (Unit: mm)



# HAMAMATSU

HOME PAGE URL <http://www.hamamatsu.com>

HAMAMATSU PHOTONICS K.K., Electron Tube Center

314-5, Shimokanzo, Toyooka-village, Iwata-gun, Shizuoka-ken, 438-0193, Japan, Telephone: (81)539/62-5248, Fax: (81)539/62-2205

U.S.A.: Hamamatsu Corporation: 360 Foothill Road, P. O. Box 6910, Bridgewater, N.J. 08807-0910, U.S.A., Telephone: (1)908-231-0960, Fax: (1)908-231-1218

Germany: Hamamatsu Photonics Deutschland GmbH: Arzbergerstr. 10, D-82211 Herrsching am Ammersee, Germany, Telephone: (49)8152-375-0, Fax: (49)8152-2658

France: Hamamatsu Photonics France S.A.R.L.: 8, Rue du Saule Trapu, Parc du Moulin de Massy, 91882 Massy Cedex, France, Telephone: (33)1 69 53 71 00, Fax: (33)1 69 53 71 10

United Kingdom: Hamamatsu Photonics UK Limited: Lough Point, 2 Gladbeck Way, Windmill Hill, Enfield, Middlesex EN2 7JA, United Kingdom, Telephone: 44(20)8-367-3560, Fax: 44(20)8-367-6384

North Europe: Hamamatsu Photonics Norden AB: Smidesvägen 12, SE-171-41 SOLNA, Sweden, Telephone: (46)8-509-031-00, Fax: (46)8-509-031-01

Italy: Hamamatsu Photonics Italia: S.R.L.: Strada della Moia, 1/E, 20020 Arese, (Milano), Italy, Telephone: (39)02-935 81 733, Fax: (39)02-935 81 741

TPMH1098E04  
DEC. 1999