

Specification Status: RELEASED

Electrical Rating

Voltage: 16V_{DC} MAX
Current: 100A MAX

INSULATING MATERIAL:

Cured, Flame Retarded Epoxy Polymer
 meets UL94 V-0 Requirements

LEAD MATERIAL:

24 AWG Tin/Lead plated Copper Clad Steel
 (0.5 mm [0.020] nom. diameter)

PART MARKING:

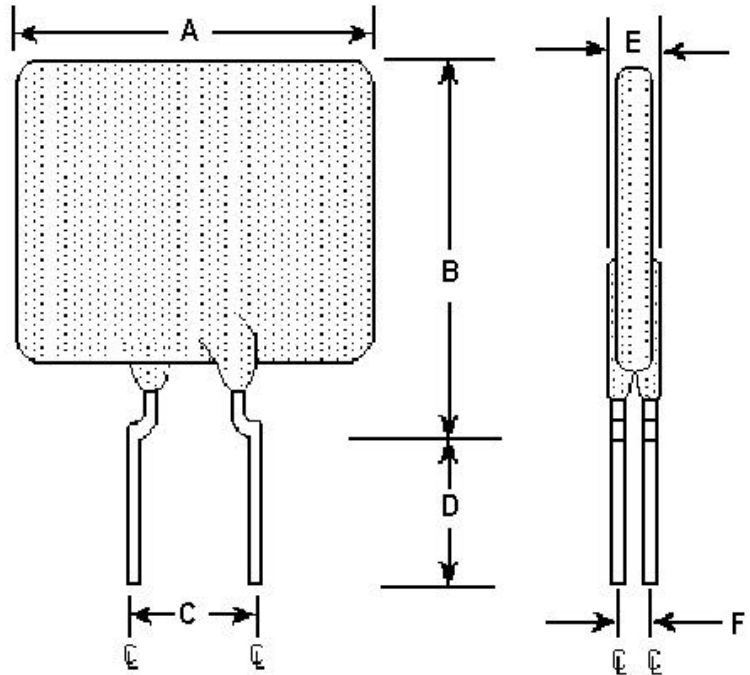
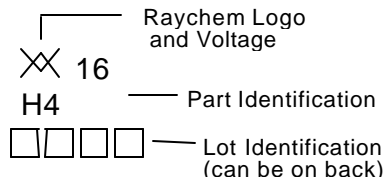


TABLE I. DIMENSIONS:

	A		B		C		D		E		F
	MIN	MAX	MIN	MAX	MIN	MAX	MIN	MAX	MIN	MAX	TYP
mm:	--	11.4	--	18.0	4.3	5.8	7.6	--	--	3.0	1.2
in*:	--	(0.45)	--	(0.71)	(0.17)	(0.23)	(0.30)	--	--	(0.12)	(0.05)

*Rounded off approximation

TABLE II. PERFORMANCE RATINGS:

I HOLD RATED CURRENT	CURRENT TRIP LIMITS						TIME TO TRIP	RESISTANCE VALUES		ONE-HOUR POST-TRIP RESISTANCE STANDARD TRIP	TRIPPED-STATE POWER DISSIPATION
	AMPS AT 0°C		AMPS AT 25°C		AMPS AT 60°C			OHMS AT 25°C			
AMPS 25°C HOLD	AMPS HOLD	AMPS TRIP	AMPS HOLD	AMPS TRIP	AMPS HOLD	AMPS TRIP	SECONDS AT 25°C, 20A MAX	MIN	MAX	SECONDS AT 25°C MAX	WATTS AT 25°C 16V TYP
4.0	----	----	4.0	7.0	----	----	8.0	0.018	0.029	0.044	2.0

Recognitions: UL, TUV, CSA recognized.
 Reference Documents: PS300
 Precedence: This specification takes precedence over documents referenced herein.
 Effectivity: Reference documents shall be the issue in effect on the date of invitation for bid.
 CAUTION: Operation beyond the rated voltage or current may result in rupture, electrical arcing or flame.

Tyco/ Electronics

Raychem Circuit Protection

308 Constitution Drive
Menlo Park, CA 94025-1164
Phone: 800-227-4856
Fax: 800-227-4866

PolySwitch®
PTC Devices
Overcurrent Protection Device

PRODUCT: RHE400

DOCUMENT: SCD 24794

PCN: F70630

REV LETTER: D

REV DATE: OCTOBER 8, 2001

PAGE NO.: 2 OF 1
