

SHINDENGEN

General Purpose Rectifiers

DIL Bridges

S1YB60

600V 0.4A

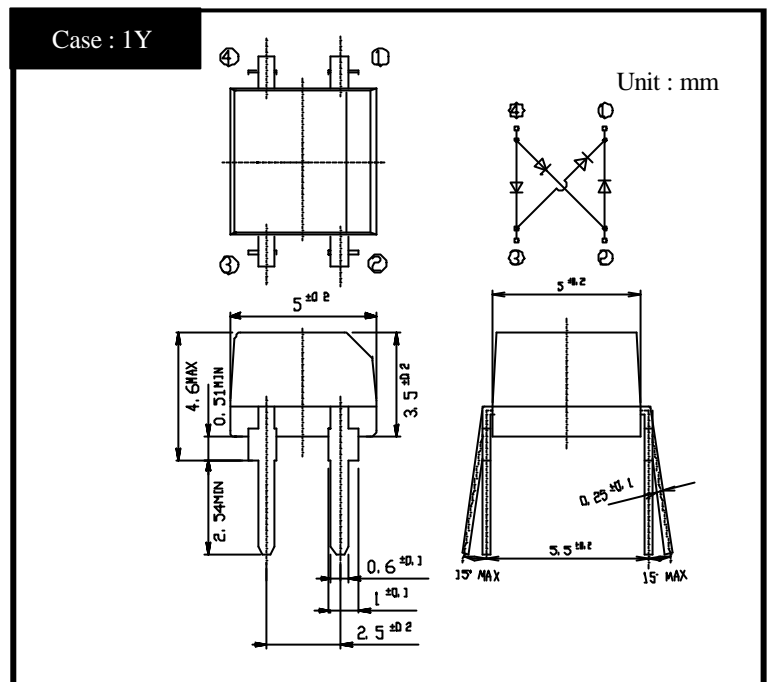
FEATURES

Small Dual In-Line(:DIL) Package
 High reliability with superior
 moisture resistance
 Applicable to Automatic Insertion

APPLICATION

Switching power supply
 Home Appliances, Office Equipment
 Telecommunication, Factory Automation

OUTLINE DIMENSIONS



RATINGS

Absolute Maximum Ratings (If not specified Tl=25)

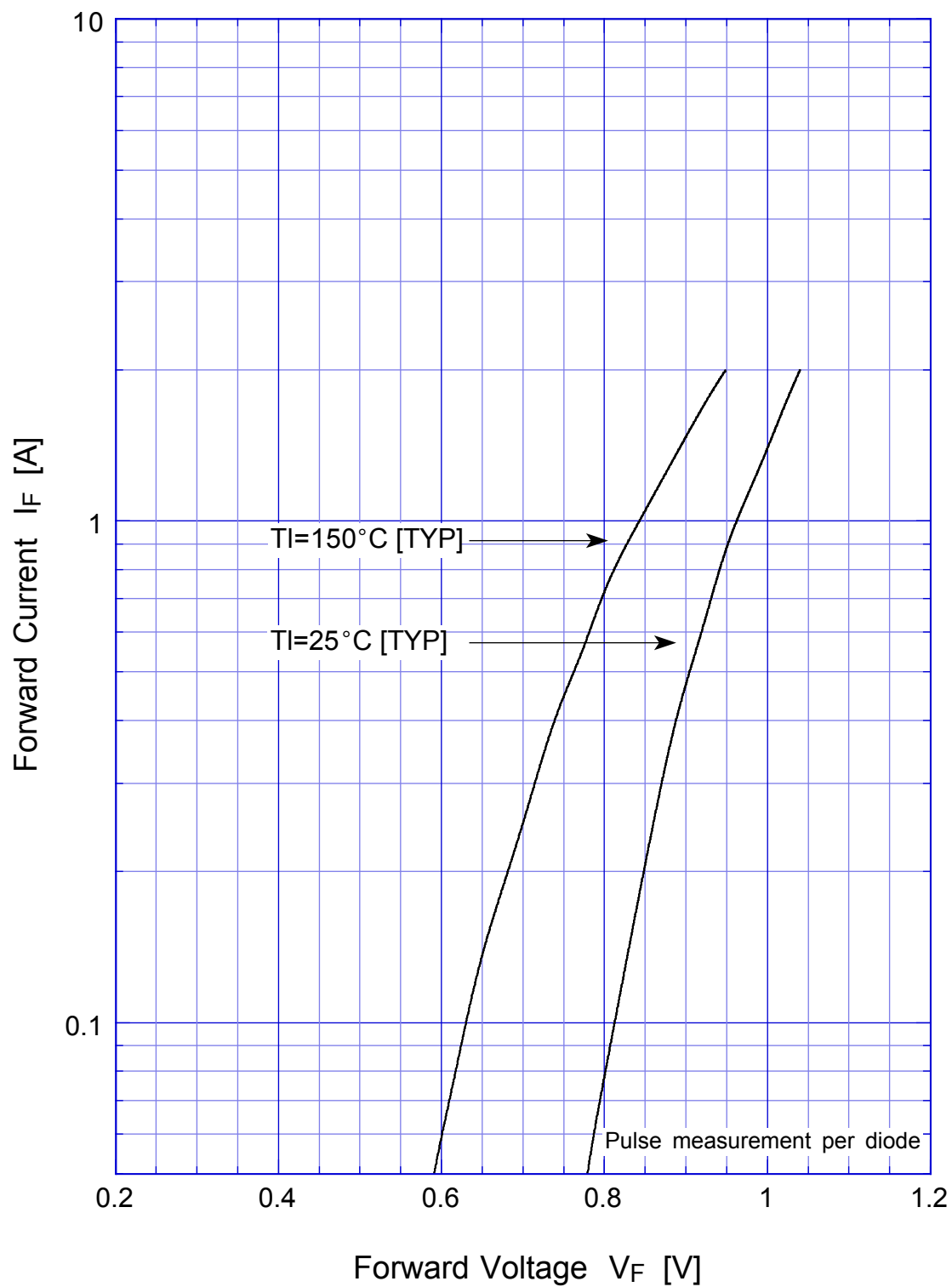
Item	Symbol	Conditions	Ratings	Unit
Storage Temperature	Tstg		-40 ~ 150	
Operating Junction Temperature	Tj		150	
Maximum Reverse Voltage	V _{RM}		600	V
Average Rectified Forward Current	I _O	50Hz sine wave, R-load Ta=40	0.4	A
Peak Surge Forward Current	I _{FSM}	50Hz sine wave, Non-repetitive 1 cycle peak value, Tj=25	30	A
Current Squared Time	I ² t	1ms t < 10ms Tj=25	4.5	A ² s

Electrical Characteristics (If not specified Tl=25)

Item	Symbol	Conditions	Ratings	Unit
Forward Voltage	V _F	I _F =0.2A, Pulse measurement, Rating of per diode	Max.1.05	V
Reverse Current	I _R	V _R =V _{RM} , Pulse measurement, Rating of per diode	Max.10	μA
Thermal Resistance	j-l	junction to lead	Max.20	/W
	j-a	junction to ambient	Max.150	

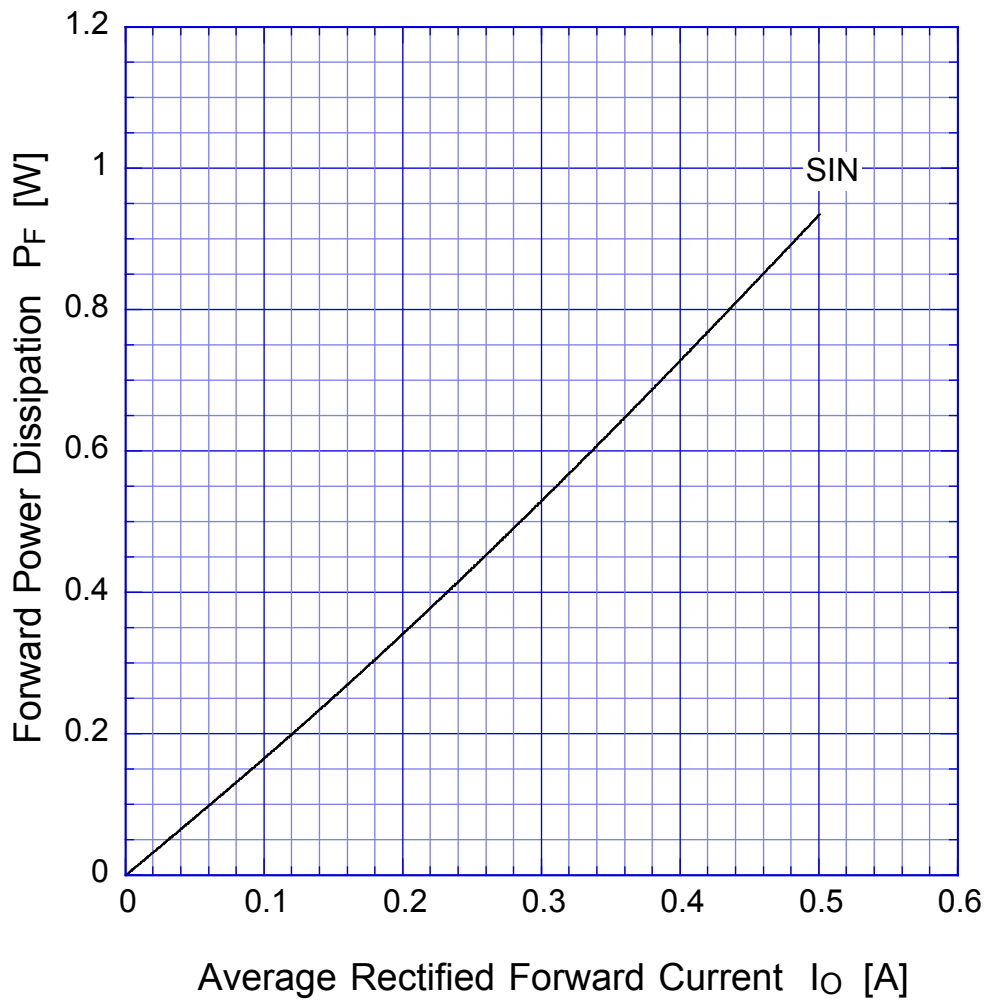
S1YBx

Forward Voltage



S1YBx

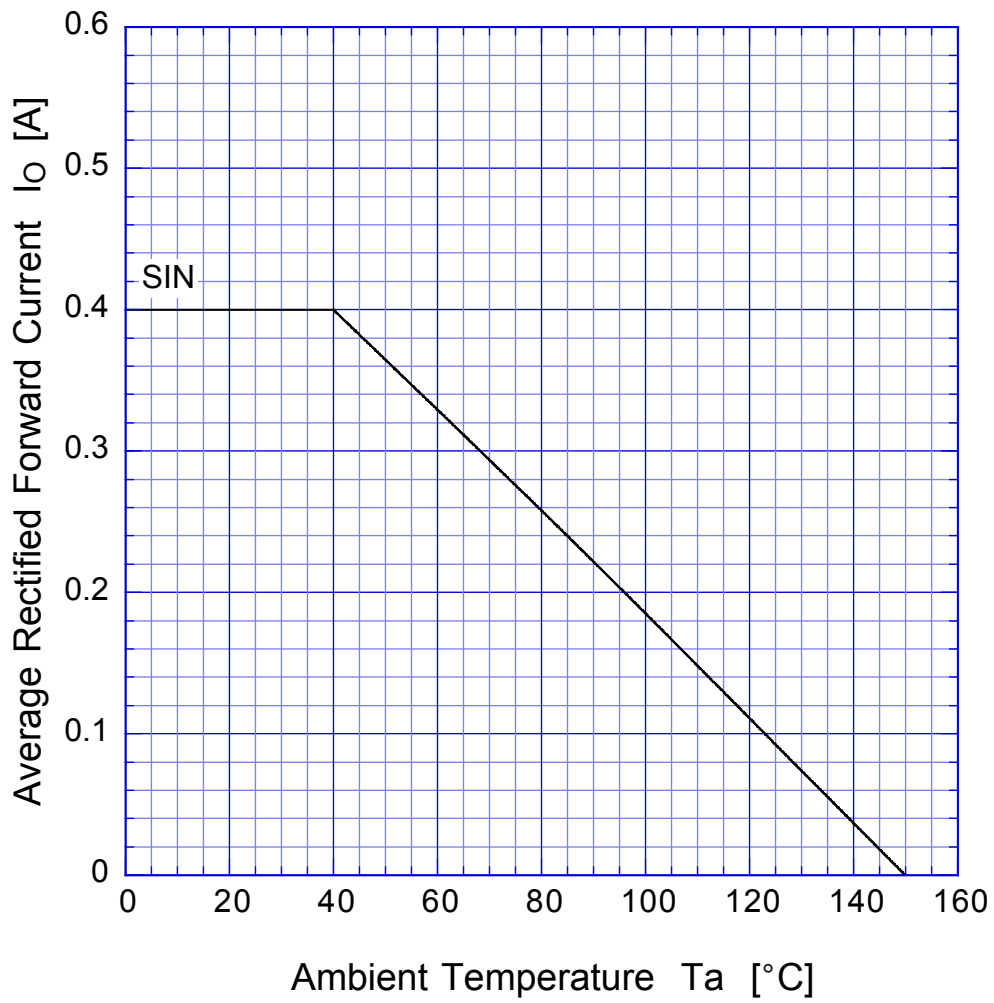
Forward Power Dissipation



$T_j = 150^\circ\text{C}$
Sine wave

S1YBx

Derating Curve



Sine wave
R-load
Free in air

S1YBx

Peak Surge Forward Capability

