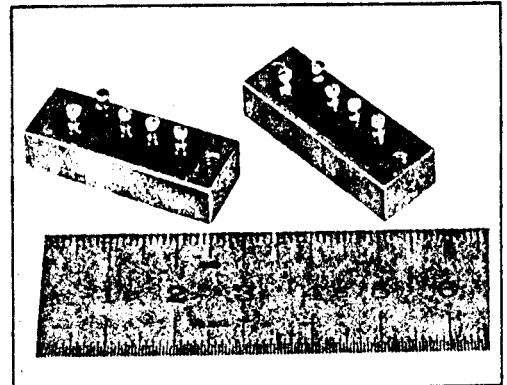


SDA 316A - E

X00177

5 amp rectifier assembly

- * Average Output Current 5 Amps
- * PIV 50 to 600 Volts
- * Aluminum Case
- * Insulated Electrical Connections
- * Efficient Thermal Design
- * Hermetically Sealed



SSDI introduces a new and complete line of three phase bridge rectifier assemblies. These units are designed in cast aluminum cases to provide maximum thermal conductivity and simple installation.

Contact your factory representative for engineering assistance.

Type	PIV per leg	Sine Wave RMS input Voltage Max.	Average DC Output Amps TC = (case temp.)		Peak DC Output (1 sec. max.)	Average DC Output Amps TA = Ambient Temp (No heat Sink)		Peak 1 Cycle Forward Surge	Peak Recurrent Forward	VF Max per leg @ ADC	Reverse Current (IR Max. per leg. @ PIV)	
			55°C	100°C		25°C	55°C				25°C	100°C
	VOLTS	VOLTS	AMPS	AMPS	Amps	AMPS	AMPS	AMPS	AMPS	VOLTS	UA	UA
SDA316A	50	35	5	3	10	2	1.5	50	15	1.2	3	75
SDA316B	100	70	5	3	10	2	1.5	50	15	1.2	3	75
SDA316C	200	140	5	3	10	2	1.5	50	15	1.2	3	75
SDA316D	400	280	5	3	10	2	1.5	50	15	1.2	3	75
SDA316E	600	420	5	3	10	2	1.5	50	15	1.2	3	75



SSDI reserves the right to change specifications without notice.

SOLID STATE DEVICES, INC.

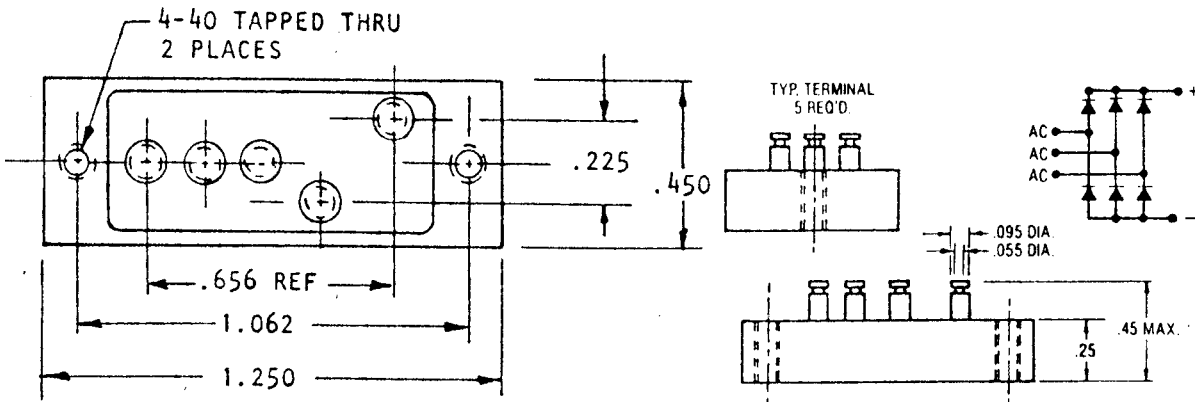
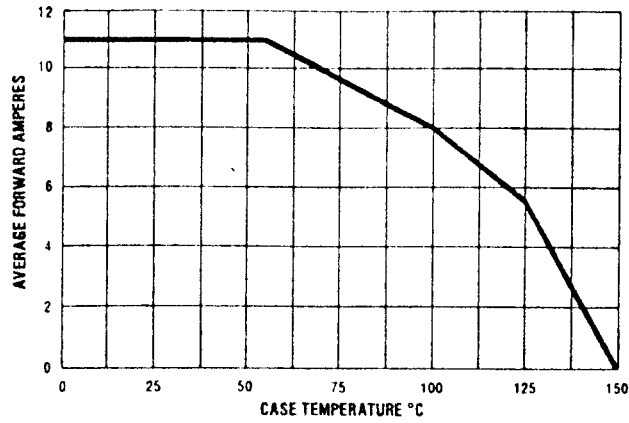
14830 Valley View

Mirada, California 90638

Telephone (213) 921-9660

TWX-910-583-4807

TEMPERATURE DERATING CURVE



TOLERANCE .XX ± .03
 .XXX ± .010