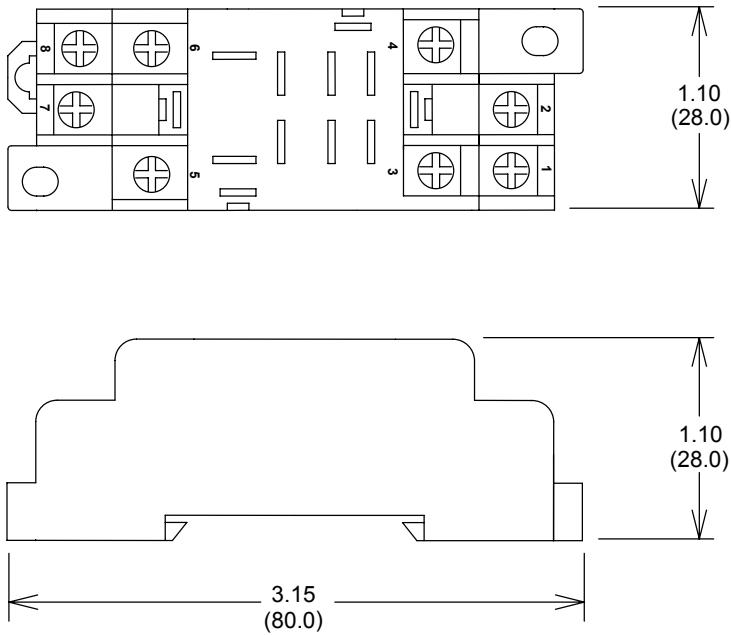


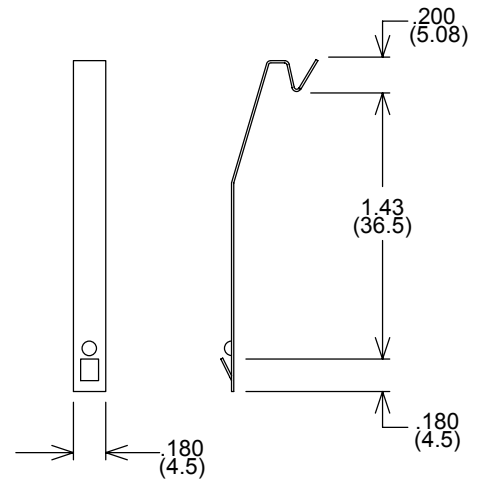
8 Pin Midget Socket for Din Rail or Panel Mount **SK4104L/2Z-F()**

For Use With The PC108 Relay

Socket
Dimensions in inches (MM)



Hold Down Clip



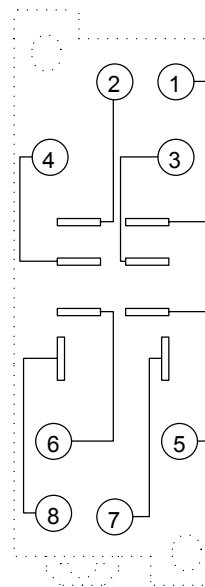
Ordering Information

SK4104L/2Z-F1; Socket with open terminals
SK4104L/2Z-F2; Socket with finger safe terminals

Notes

Two hold down clips included with each socket
All Picker Components sockets have pressure clamp screws
Fits standard 35 mm Din Rail
Tolerances $\pm .010$ unless otherwise noted

Terminal Layout
Top View



Mounting Dimensions
Top View

