



# STSJ100NHS3LL

N-channel 30V - 0.0032Ω - 20A - PowerSO-8™  
STripFET™III Power MOSFET plus monolithic schottky

## General features

Type	V <sub>DSS</sub>	R <sub>DS(on)</sub>	I <sub>D</sub>
STSJ100NHS3LL	30V	0.0042Ω	20A <sup>(1)</sup>

1. This value is rated accordingly to R<sub>thj-pcb</sub>

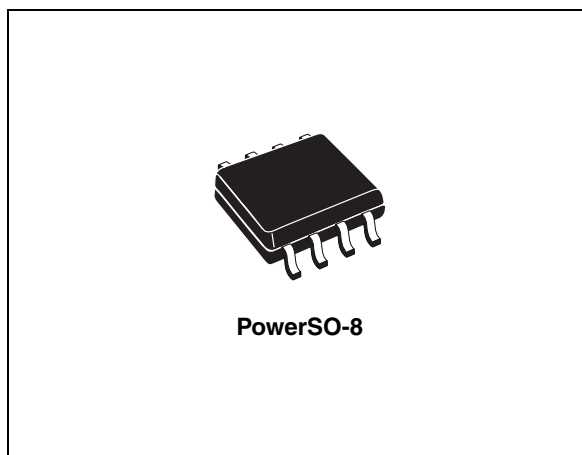
- Optimal R<sub>DS(on)</sub> x Q<sub>g</sub> trade-off @ 4.5V
- Reduced switching losses
- Reduced conduction losses
- Improved junction-case thermal resistance

## Description

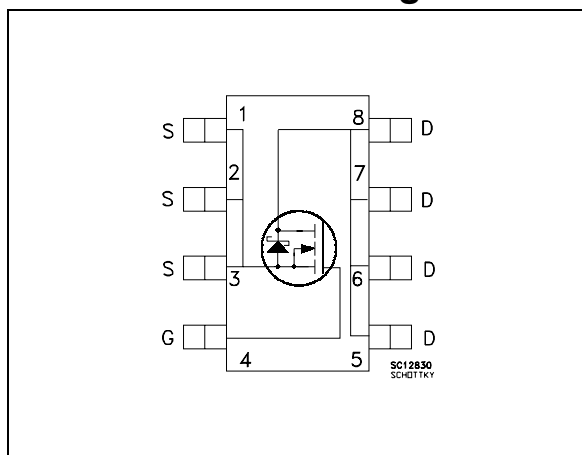
This product utilizes the latest advanced design rules of ST's proprietary STripFET™ technology and a proprietary process for integrating a monolithic schottky diode. The new Power MOSFET is optimized for the most demanding synchronous switch function in DC-DC converter for Computer and Telecom.

## Applications

- Switching application



## Internal schematic diagram



## Order codes

Part number	Marking	Package	Packaging
STSJ100NHS3LL	100HS3L-	PowerSO-8	Tape & reel

## Contents

<b>1</b>	<b>Electrical ratings</b> .....	<b>4</b>
<b>2</b>	<b>Electrical characteristics</b> .....	<b>6</b>
	2.1 Electrical characteristics (curves) .....	8
<b>3</b>	<b>Test circuit</b> .....	<b>11</b>
<b>4</b>	<b>Package mechanical data</b> .....	<b>12</b>
<b>5</b>	<b>Revision history</b> .....	<b>14</b>

# 1 Electrical ratings

**Table 1. Absolute maximum ratings**

Symbol	Parameter	Value	Unit
$V_{DS}$	Drain-source voltage ( $V_{GS} = 0$ )	30	V
$V_{GS}$	Gate-source voltage	$\pm 16$	V
$I_D^{(1)}$	Drain current (continuous) at $T_C = 25^\circ\text{C}$	20	A
$I_D^{(2)}$	Drain current (continuous) at $T_C = 25^\circ\text{C}$	100	A
$I_D$	Drain current (continuous) at $T_C = 100^\circ\text{C}$	12.6	A
$I_{DM}^{(3)}$	Drain current (pulsed)	80	A
$P_{TOT}$	Total dissipation at $T_C = 25^\circ\text{C}^{(2)}$	70	W
	Total dissipation at $T_C = 25^\circ\text{C}^{(1)}$	3	W
$T_J$	Operating junction temperature	-55 to 150	$^\circ\text{C}$
$T_{stg}$	Storage temperature		

1. This value is rated accordingly to  $R_{thj-pcb}$
2. This value is rated according to  $R_{thj-c}$
3. Pulse width limited by safe operating area

**Table 2. Thermal data**

Symbol	Parameter	Value	Unit
$R_{thj-c}$	Thermal resistance junction-case max	1.8	$^\circ\text{C}/\text{W}$
$R_{thj-pcb}^{(1)}$	Thermal resistance junction-pcb max	42	$^\circ\text{C}/\text{W}$

1. When mounted on 1 inch<sup>2</sup> FR-4 board, 2oz Cu ( $t < 10\text{sec.}$ )

**Table 3. Avalanche data**

Symbol	Parameter	Value	Unit
$I_{AV}$	Avalanche current, not repetitive (pulse width limited by $T_{jmax}$ )	10	A
$E_{AS}$	Single pulse avalanche energy (starting $T_j = 25^\circ\text{C}$ , $I_D = I_{AV}$ , $V_{DD} = 24\text{V}$ )	1.8	J

## 2 Electrical characteristics

( $T_{CASE}=25^{\circ}C$  unless otherwise specified)

**Table 4. On/off states**

Symbol	Parameter	Test conditions	Min.	Typ.	Max.	Unit
$V_{(BR)DSS}$	Drain-source breakdown voltage	$I_D = 1mA, V_{GS} = 0$	30			V
$I_{DSS}$	Zero gate voltage drain current ( $V_{GS} = 0$ )	$V_{DS} = 24V$			500	$\mu A$
$I_{GSS}$	Gate body leakage current ( $V_{DS} = 0$ )	$V_{GS} = \pm 16V$			$\pm 100$	nA
$V_{GS(th)}$	Gate threshold voltage	$V_{DS} = V_{GS}, I_D = 1mA$	1		2.5	V
$R_{DS(on)}$	Static drain-source on resistance	$V_{GS} = 10V, I_D = 10A$ $V_{GS} = 4.5V, I_D = 10A$		0.0032 0.004	0.0042 0.0057	$\Omega$ $\Omega$
$R_{DS(on)}$	Static drain-source on resistance	$V_{GS} = 10V, I_D = 10A @ 125^{\circ}C$ $V_{GS} = 4.5V, I_D = 10A @ 125^{\circ}C$		0.005 0.006		$\Omega$ $\Omega$

**Table 5. Dynamic**

Symbol	Parameter	Test conditions	Min.	Typ.	Max.	Unit
$g_{fs}^{(1)}$	Forward transconductance	$V_{DS} = 10V, I_D = 15A$		44		S
$C_{iss}$	Input capacitance	$V_{DS} = 25V, f = 1MHz, V_{GS} = 0$		4200		pF
$C_{oss}$	Output capacitance			700		pF
$C_{rss}$	Reverse transfer capacitance			46.2		pF
$Q_g$	Total gate charge	$V_{DD} = 15V, I_D = 20A$		27	35	nC
$Q_{gs}$	Gate-source charge	$V_{GS} = 4.5V,$		8.5		nC
$Q_{gd}$	Gate-drain charge	(see Figure 13)		7.2		nC

1. Pulsed: pulse duration=300 $\mu s$ , duty cycle 1.5%

**Table 6. Switching times**

Symbol	Parameter	Test conditions	Min.	Typ.	Max.	Unit
$t_{d(on)}$ $t_r$	Turn-on delay time Rise time	$V_{DD}=15V$ , $I_D=10A$ , $R_G=4.7\Omega$ , $V_{GS}=4.5V$ (see Figure 12)		16 45		ns ns
$t_{d(off)}$ $t_f$	Turn-off delay time Fall time	$V_{DD}=15V$ , $I_D=10A$ , $R_G=4.7\Omega$ , $V_{GS}=4.5V$ (see Figure 12)		68 8		ns ns

**Table 7. Source drain diode**

Symbol	Parameter	Test conditions	Min.	Typ.	Max.	Unit
$I_{SD}$ $I_{SDM}^{(1)}$	Source-drain current Source-drain current (pulsed)				20 80	A A
$V_{SD}^{(2)}$	Forward on voltage	$I_{SD}=5A$ , $V_{GS}=0$			0.75	V
$t_{rr}$ $Q_{rr}$ $I_{RRM}$	Reverse recovery time Reverse recovery charge Reverse recovery current	$I_{SD}=20A$ , $di/dt = 100A/\mu s$ , $V_{DD}=25V$ , $T_j=150^\circ C$ (see Figure 17)		30 30 2		ns nC A

1. Pulse width limited by safe operating area
2. Pulsed: pulse duration=300 $\mu s$ , duty cycle 1.5%

## 2.1 Electrical characteristics (curves)

Figure 1. Safe operating area

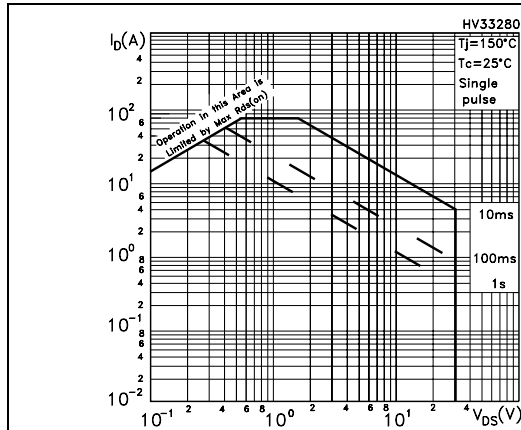


Figure 2. Thermal impedance

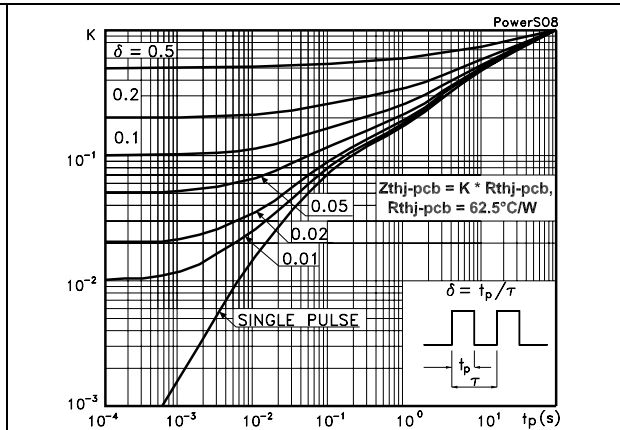


Figure 3. Output characteristics

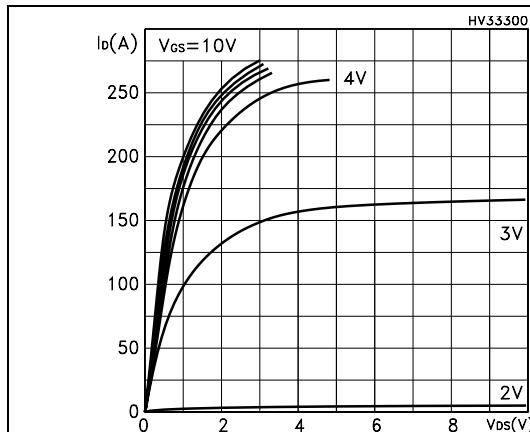


Figure 4. Transfer characteristics

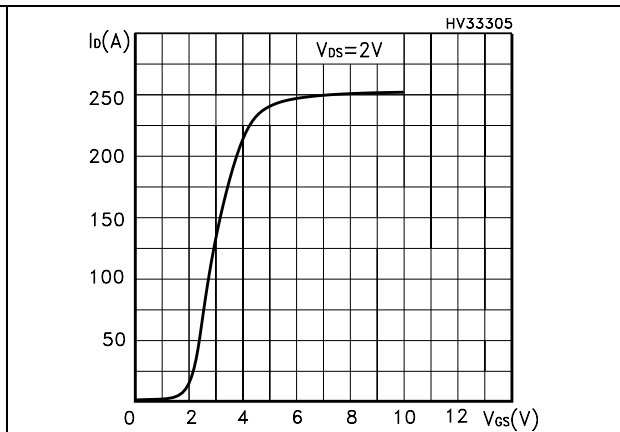


Figure 5. Normalized  $B_{V_{DS}}$  vs temperature

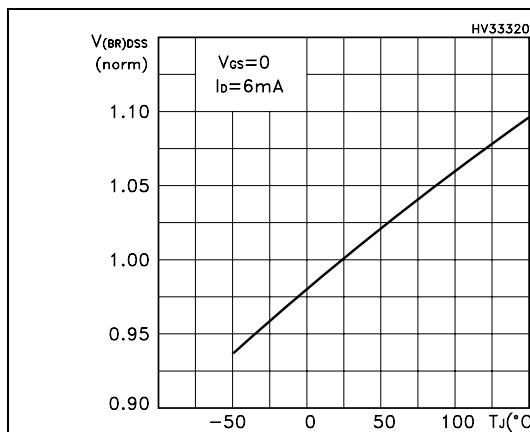


Figure 6. Static drain-source on resistance

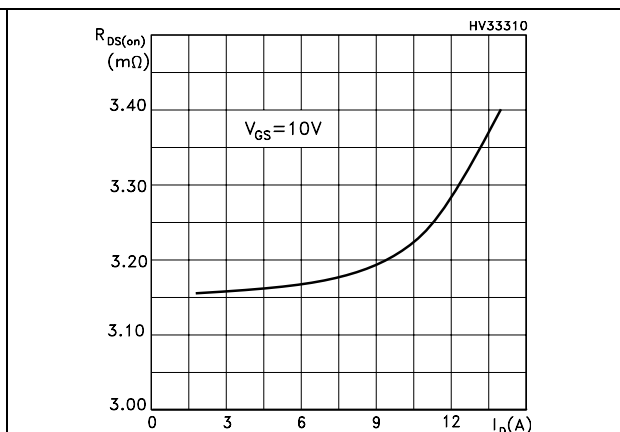


Figure 7. Gate charge vs gate-source voltage Figure 8. Capacitance variations

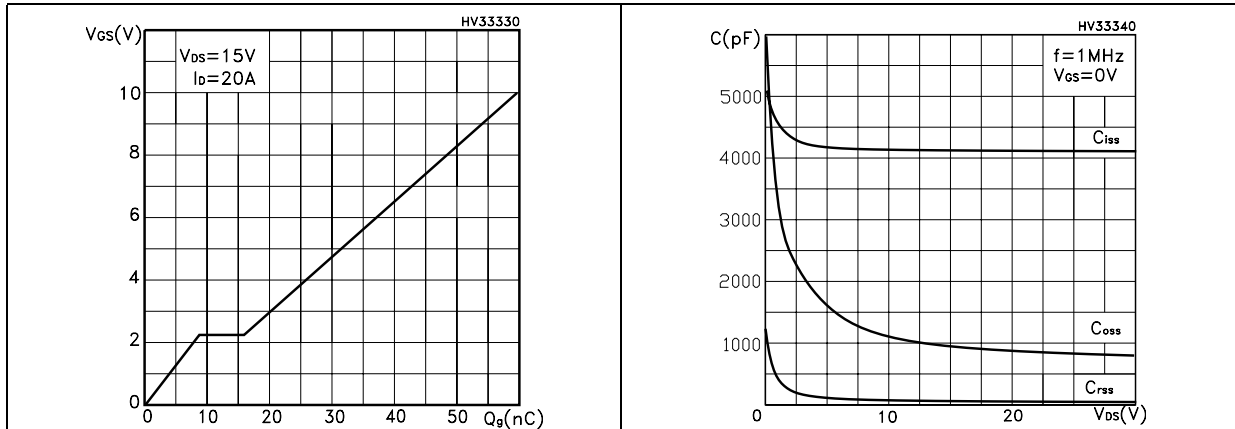


Figure 9. Normalized gate threshold voltage vs temperature Figure 10. Normalized on resistance vs temperature

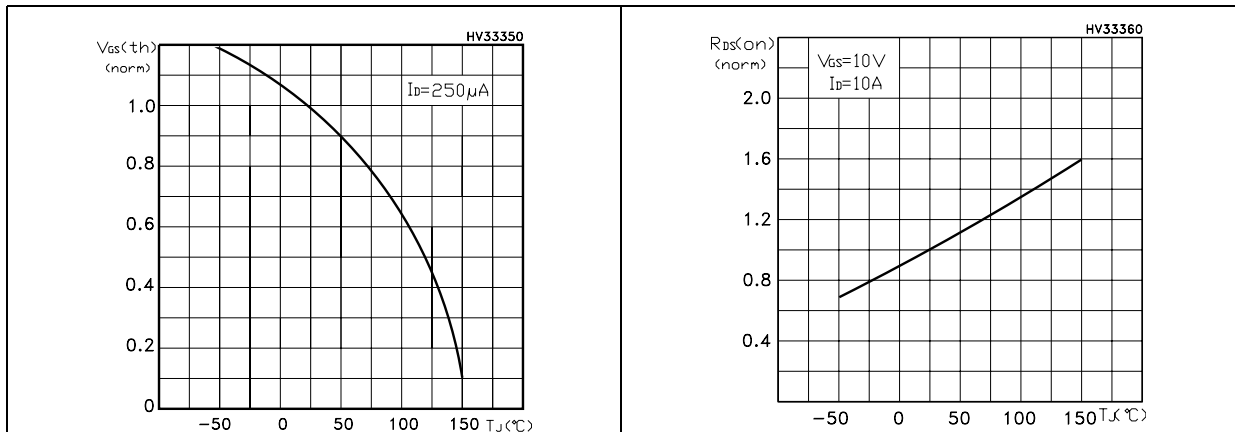
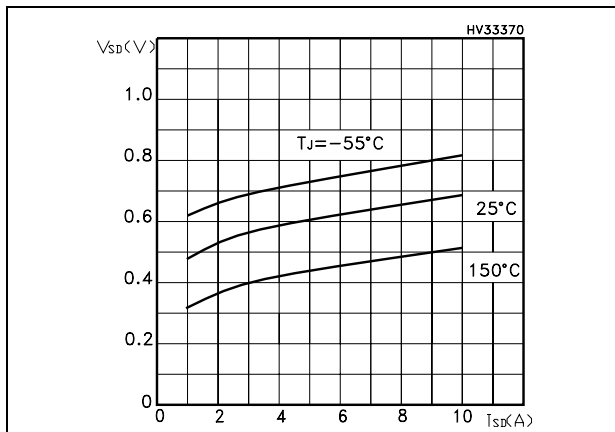


Figure 11. Source-drain diode forward characteristics



### 3 Test circuit

Figure 12. Switching times test circuit for resistive load

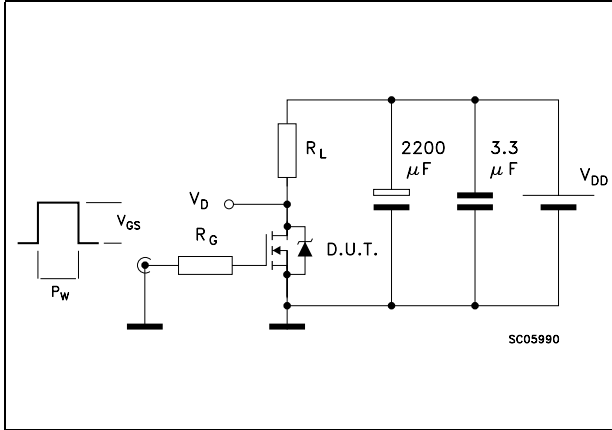


Figure 13. Gate charge test circuit

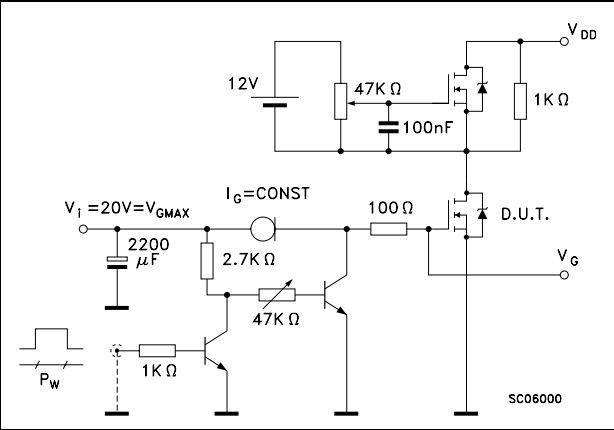


Figure 14. Test circuit for inductive load switching and diode recovery times

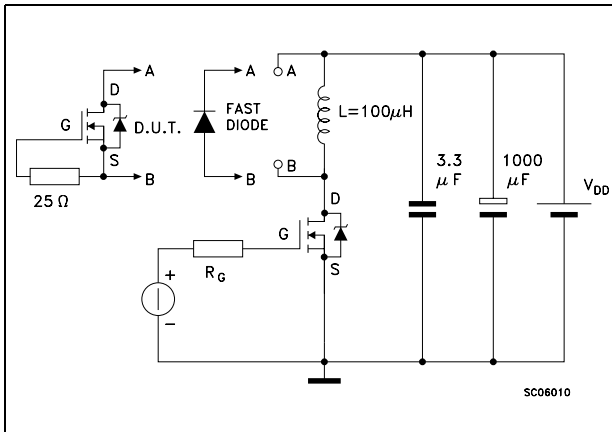


Figure 15. Unclamped inductive load test circuit

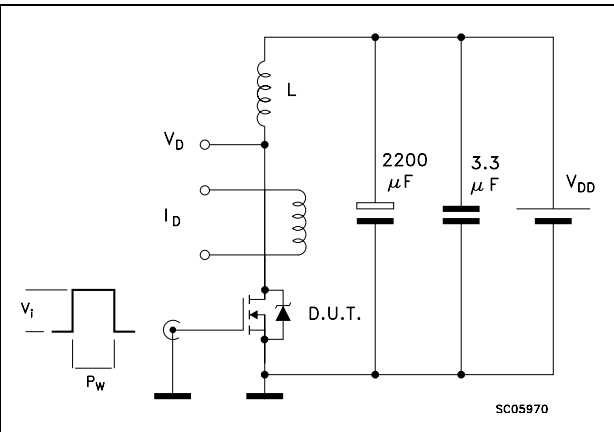


Figure 16. Unclamped inductive waveform

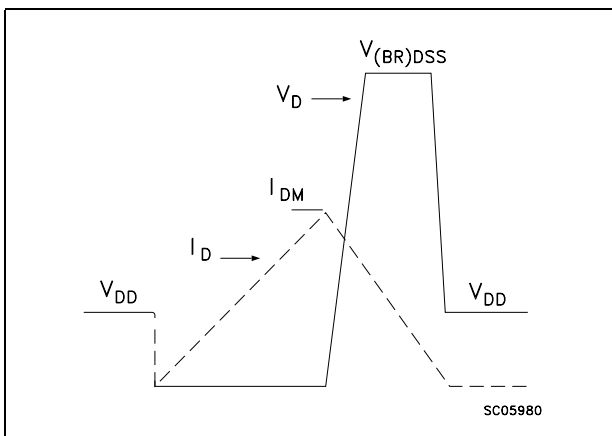
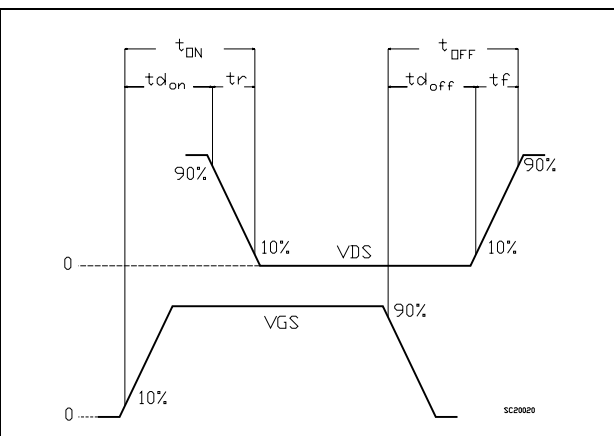


Figure 17. Switching time waveform



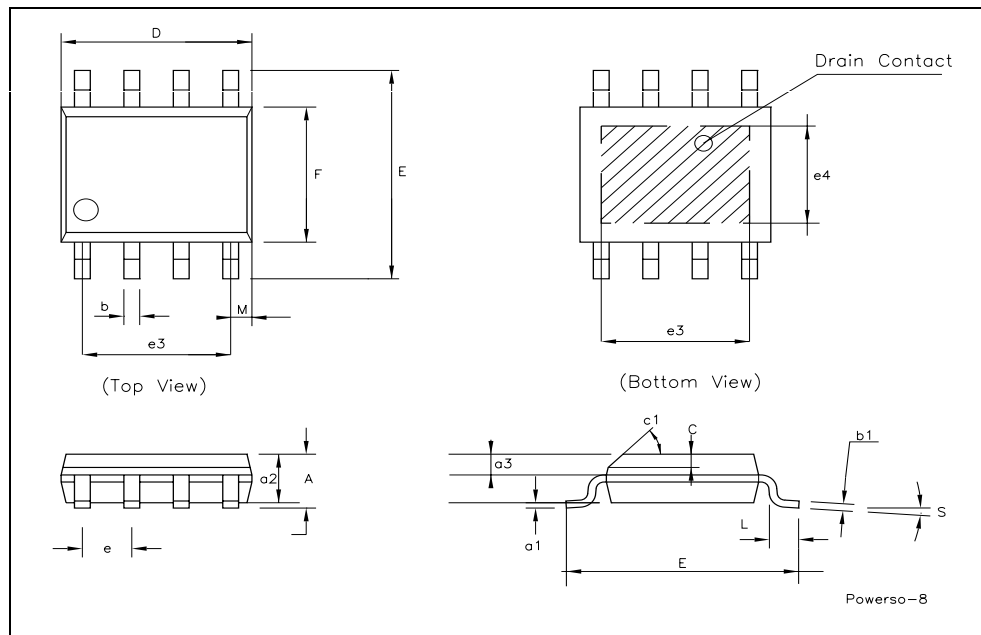


## 4 Package mechanical data

In order to meet environmental requirements, ST offers these devices in ECOPACK® packages. These packages have a Lead-free second level interconnect . The category of second level interconnect is marked on the package and on the inner box label, in compliance with JEDEC Standard JESD97. The maximum ratings related to soldering conditions are also marked on the inner box label. ECOPACK is an ST trademark. ECOPACK specifications are available at : [www.st.com](http://www.st.com)

**PowerSO-8™ MECHANICAL DATA**

DIM.	mm.			inch		
	MIN.	TYP.	MAX.	MIN.	TYP.	MAX.
A			1.75			0.068
a1	0.1		0.25	0.003		0.009
a2			1.65			0.064
a3	0.65		0.85	0.025		0.033
b	0.35		0.48	0.013		0.018
b1	0.19		0.25	0.007		0.010
C	0.25		0.5	0.010		0.019
c1	45° (typ.)					
D	4.8		5.0	0.188		0.196
E	5.8		6.2	0.228		0.244
e		1.27			0.050	
e3		3.81			0.150	
e4		2.79			0.110	
F	3.8		4.0	0.14		0.157
L	0.4		1.27	0.015		0.050
M			0.6			0.023
S	8° (max.)					



## 5 Revision history

**Table 8. Revision history**

Date	Revision	Changes
13-Jan-2006	1	Initial release.
24-Jan-2006	2	Changed unit on <a href="#">Table 7: Source drain diode</a>
18-Jul-2006	3	Complete version

**Please Read Carefully:**

Information in this document is provided solely in connection with ST products. STMicroelectronics NV and its subsidiaries ("ST") reserve the right to make changes, corrections, modifications or improvements, to this document, and the products and services described herein at any time, without notice.

All ST products are sold pursuant to ST's terms and conditions of sale.

Purchasers are solely responsible for the choice, selection and use of the ST products and services described herein, and ST assumes no liability whatsoever relating to the choice, selection or use of the ST products and services described herein.

No license, express or implied, by estoppel or otherwise, to any intellectual property rights is granted under this document. If any part of this document refers to any third party products or services it shall not be deemed a license grant by ST for the use of such third party products or services, or any intellectual property contained therein or considered as a warranty covering the use in any manner whatsoever of such third party products or services or any intellectual property contained therein.

**UNLESS OTHERWISE SET FORTH IN ST'S TERMS AND CONDITIONS OF SALE ST DISCLAIMS ANY EXPRESS OR IMPLIED WARRANTY WITH RESPECT TO THE USE AND/OR SALE OF ST PRODUCTS INCLUDING WITHOUT LIMITATION IMPLIED WARRANTIES OF MERCHANTABILITY, FITNESS FOR A PARTICULAR PURPOSE (AND THEIR EQUIVALENTS UNDER THE LAWS OF ANY JURISDICTION), OR INFRINGEMENT OF ANY PATENT, COPYRIGHT OR OTHER INTELLECTUAL PROPERTY RIGHT.**

**UNLESS EXPRESSLY APPROVED IN WRITING BY AN AUTHORIZED ST REPRESENTATIVE, ST PRODUCTS ARE NOT RECOMMENDED, AUTHORIZED OR WARRANTED FOR USE IN MILITARY, AIR CRAFT, SPACE, LIFE SAVING, OR LIFE SUSTAINING APPLICATIONS, NOR IN PRODUCTS OR SYSTEMS WHERE FAILURE OR MALFUNCTION MAY RESULT IN PERSONAL INJURY, DEATH, OR SEVERE PROPERTY OR ENVIRONMENTAL DAMAGE. ST PRODUCTS WHICH ARE NOT SPECIFIED AS "AUTOMOTIVE GRADE" MAY ONLY BE USED IN AUTOMOTIVE APPLICATIONS AT USER'S OWN RISK.**

Resale of ST products with provisions different from the statements and/or technical features set forth in this document shall immediately void any warranty granted by ST for the ST product or service described herein and shall not create or extend in any manner whatsoever, any liability of ST.

ST and the ST logo are trademarks or registered trademarks of ST in various countries.

Information in this document supersedes and replaces all information previously supplied.

The ST logo is a registered trademark of STMicroelectronics. All other names are the property of their respective owners.

© 2006 STMicroelectronics - All rights reserved

STMicroelectronics group of companies

Australia - Belgium - Brazil - Canada - China - Czech Republic - Finland - France - Germany - Hong Kong - India - Israel - Italy - Japan - Malaysia - Malta - Morocco - Singapore - Spain - Sweden - Switzerland - United Kingdom - United States of America

[www.st.com](http://www.st.com)