

TENTATIVE TOSHIBA CMOS DIGITAL INTEGRATED CIRCUIT SILICON MONOLITHIC

TC74LCXR163245FT**16-BIT DUAL SUPPLY VOLTAGE****INTERFACE BUS TRANSCEIVER WITH SERIES RESISTOR**

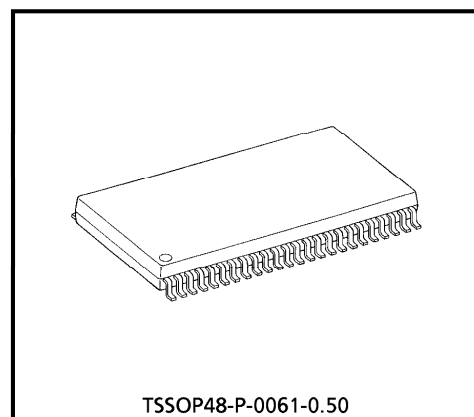
The TC74LCXR163245 is a dual supply, advanced high speed CMOS 16 bit DUAL SUPPLY VOLTAGE INTERFACE BUS TRANSCEIVER fabricated with silicon gate CMOS technology.

Designed for use as an interface between a 3.3 V bus and a 5 V bus in mixed 3.3 V/5 V supply systems' it achieves high speed operation while maintaining the CMOS low power dissipation.

It is intended for 2 way asynchronous communication between data busses. The direction of data transmission is determined by the level of the DIR input. The enable input (\overline{OE}) can be used to disable the device so that the busses are effectively isolated. The B-port interfaces with the 3 V bus, the A-port with the 5 V bus.

The 26- Ω series resistor helps reducing output overshoot and undershoot without external resistor.

All inputs are equipped with protection circuits against static discharge or transient excess voltage.



TSSOP48-P-0061-0.50
Weight : 0.25 g (Typ.)

FEATURES

- Bidirectional interface between 3.3 V and 5 V buses
- 26- Ω series resistors on outputs
- High speed : $t_{pd} = 8.5 \text{ ns (max)}$
($V_{CCB} = 3.3 \pm 0.3 \text{ V} / V_{CCA} = 5 \pm 0.5 \text{ V}$, $T_a = -40 \sim 85^\circ\text{C}$)
- Low power dissipation : $I_{CC} = 80 \mu\text{A (max)}$ ($T_a = -40 \sim 85^\circ\text{C}$)
- Symmetrical output impedance : $I_{OUTA} = \pm 12 \text{ mA (min)}$
 $I_{OUTB} = \pm 12 \text{ mA (min)}$
($V_{CCA} = 4.5 \text{ V} / V_{CCB} = 3.0 \text{ V}$)
- Power Down Protection is provided on all inputs and outputs.
- Package : TSSOP (Thin Shrink Small Outline Package)

APPLICATION NOTES

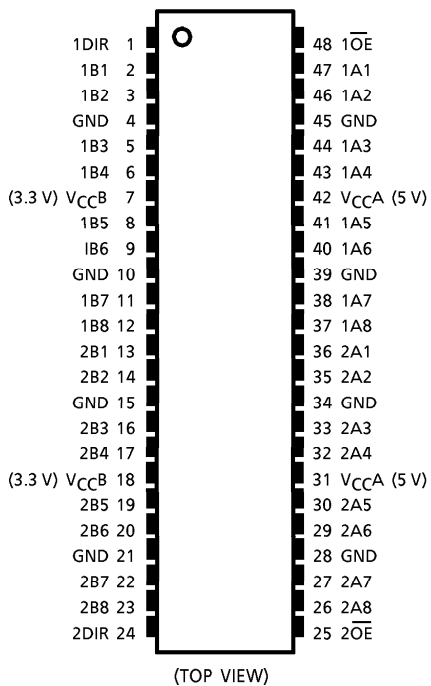
Do not apply a signal to any bus terminal when it is in the output mode. Damage may result.

All floating (high impedance) bus terminals must have their input fixed by means of pull up or pull down resistors.

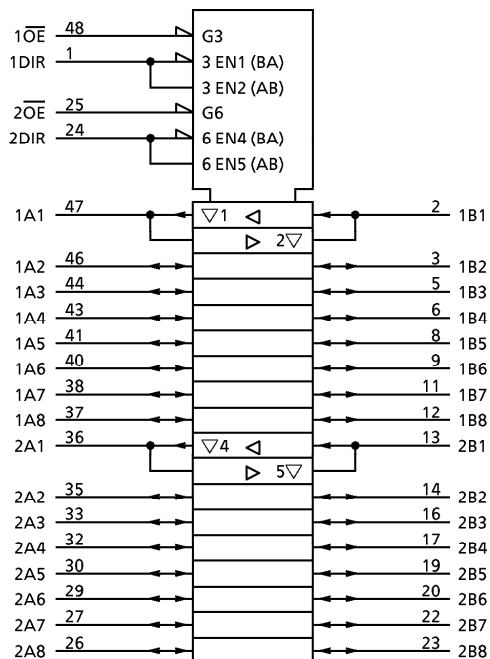
980910EBA2

- TOSHIBA is continually working to improve the quality and the reliability of its products. Nevertheless, semiconductor devices in general can malfunction or fail due to their inherent electrical sensitivity and vulnerability to physical stress. It is the responsibility of the buyer, when utilizing TOSHIBA products, to observe standards of safety, and to avoid situations in which a malfunction or failure of a TOSHIBA product could cause loss of human life, bodily injury or damage to property. In developing your designs, please ensure that TOSHIBA products are used within specified operating ranges as set forth in the most recent products specifications. Also, please keep in mind the precautions and conditions set forth in the TOSHIBA Semiconductor Reliability Handbook.
- The products described in this document are subject to the foreign exchange and foreign trade laws.
- The information contained herein is presented only as a guide for the applications of our products. No responsibility is assumed by TOSHIBA CORPORATION for any infringements of intellectual property or other rights of the third parties which may result from its use. No license is granted by implication or otherwise under any intellectual property or other rights of TOSHIBA CORPORATION or others.
- The information contained herein is subject to change without notice.

PIN CONNECTION



IEC LOGIC SYMBOL



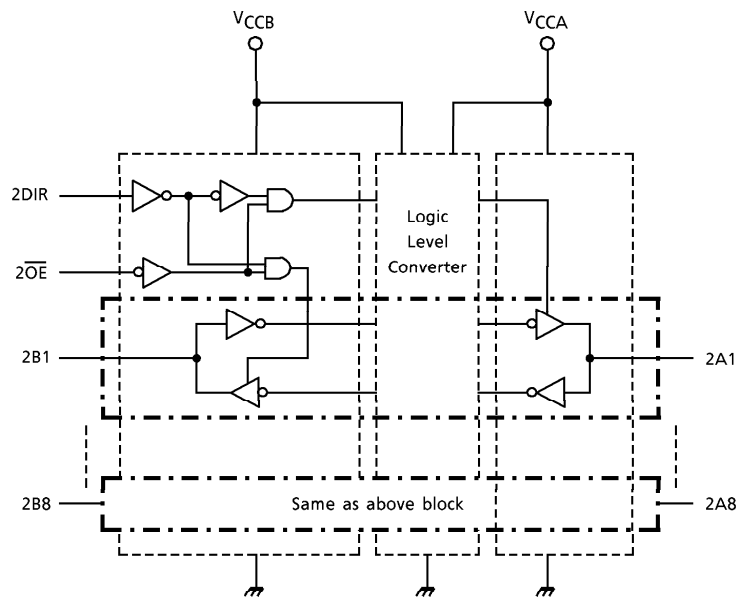
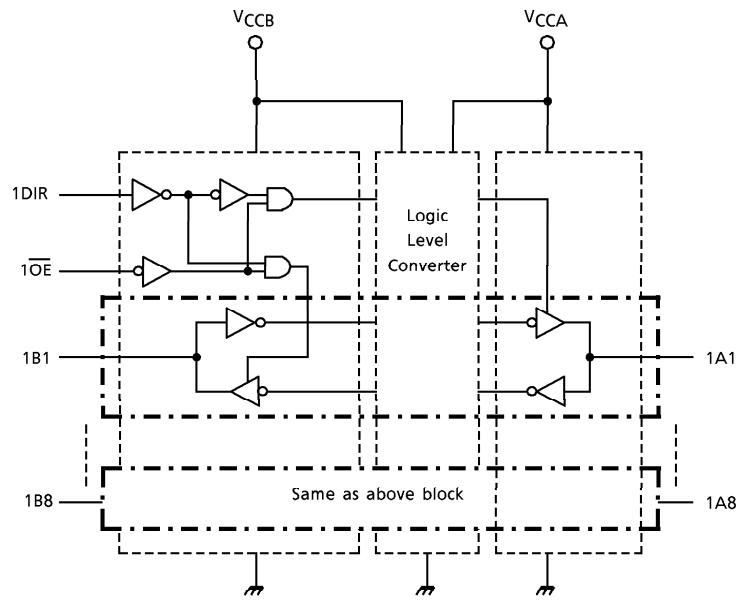
TRUTH TABLE

INPUT		FUNCTION		OUTPUT
1OE	1DIR	BUS 1A1-1A8	BUS 1B1-1B8	
L	L	OUTPUT	INPUT	A = B
L	H	INPUT	OUTPUT	B = A
H	X	High Impedance		Z

INPUT		FUNCTION		OUTPUT
2OE	2DIR	BUS 2A1-2A8	BUS 2B1-2B8	
L	L	OUTPUT	INPUT	A = B
L	H	INPUT	OUTPUT	B = A
H	X	High Impedance		Z

X : Don't Care
 Z : High impedance

BLOCK DIAGRAM



MAXIMUM RATINGS

PARAMETER	SYMBOL	RATING	UNIT
Power Supply Voltage (Note 1)	V_{CCB}	-0.5~7.0	V
	V_{CCA}	-0.5~7.0	
DC Input Voltage	V_{IN}	-0.5~7.0	V
DC Bus I/O Voltage	$V_{I/OB}$	-0.5~7.0 (Note 2)	V
		-0.5~ $V_{CCB} + 0.5$ (Note 3)	
	$V_{I/OA}$	-0.5~7.0 (Note 2)	
		-0.5~ $V_{CCA} + 0.5$ (Note 3)	
Input Diode Current	I_{IK}	-50	mA
Output Diode Current	$I_{I/OK}$	±50 (Note 4)	mA
DC Output Current	I_{OUTB}	±50	mA
	I_{OUTA}	±50	
DC V_{CC} /Ground Current Per Supply Pin	I_{CCB}	±100	mA
	I_{CCA}	±100	
Power Dissipation	P_D	400	mW
Storage Temperature	T_{stg}	-65~150	°C

(Note 1) : Don't supply a voltage to V_{CCA} terminal when V_{CCB} is in the off-state.

(Note 2) : Off-State

(Note 3) : High or Low State. I_{OUT} absolute maximum rating must be observed.

(Note 4) : $V_{OUT} < GND$, $V_{OUT} > V_{CC}$

RECOMMENDED OPERATING RANGE

PARAMETER	SYMBOL	RATING	UNIT
Supply Voltage	V_{CCB}	2.3~3.6	V
	V_{CCA}	4.5~5.5	
Input Voltage (DIR, \overline{OE})	V_{IN}	0~5.5	V
Bus I/O Voltage	$V_{I/OB}$	0~5.5 (Note 5)	V
		-0.5~ $V_{CCB} + 0.5$ (Note 6)	
	$V_{I/OA}$	0~5.5 (Note 5)	
		-0.5~ $V_{CCA} + 0.5$ (Note 6)	
Output Current	I_{OUTB}	±12 (Note 7) ±4 (Note 8)	mA
	I_{OUTA}	±12 (Note 9)	
Operating Temperature	T_{opr}	-40~85	°C
Input Rise and Fall Time	dt/dv	0~10 ($V_{CCB} = 2.3\sim 3.6$ V)	ns/V
		0~10 ($V_{CCA} = 4.5\sim 5.5$ V)	

(Note 5) : Off-State

(Note 6) : High or Low State

(Note 7) : $V_{CCB} = 3.0\sim 3.6$ V

(Note 8) : $V_{CCB} = 2.3\sim 2.7$ V

(Note 9) : $V_{CCA} = 4.5\sim 5.5$ V

ELECTRICAL CHARACTERISTICS

DC Characteristics

PARAMETER	SYM-BOL	TEST CONDITION	V _{CCB} (V)	V _{CCA} (V)	Ta = -40~85°C		UNIT	
					MIN	MAX		
"H" Level Input Voltage	V _{IHB}	DIR, \overline{OE} , Bn	2.5 ± 0.2	5.0 ± 0.5	1.7	—	V	
	V _{IHA}	An	3.3 ± 0.3	5.0 ± 0.5	2.0	—		
"L" Level Input Voltage	V _{ILB}	DIR, \overline{OE} , Bn	2.5 ± 0.2	5.0 ± 0.5	—	0.7	V	
	V _{ILA}	An	3.3 ± 0.3	5.0 ± 0.5	—	0.8		
"H" Level Output Voltage	V _{OHB}	V _{INA} = V _{IHA} or V _{ILA} V _{INB} = V _{IHB} or V _{ILB}	I _{OHB} = -100 μA	2.3~3.6	5.0 ± 0.5	V _{CCB} - 0.2	—	V
			I _{OHB} = -12 mA	3.0	5.0 ± 0.5	2.2	—	
			I _{OHB} = -4 mA	2.3	5.0 ± 0.5	1.8	—	
	V _{OHA}	I _{OHA} = -100 μA	2.3~3.6	5.0 ± 0.5	V _{CCA} - 0.2	—		
I _{OHA} = -12 mA			2.3~3.6	4.5	3.7	—		
"L" Level Output Voltage	V _{OHB}	V _{INA} = V _{IHA} or V _{ILA} V _{INB} = V _{IHB} or V _{ILB}	I _{OHB} = 100 μA	2.3~3.6	5.0 ± 0.5	—	0.2	V
			I _{OHB} = 12 mA	3.0	5.0 ± 0.5	—	0.8	
			I _{OHB} = 4 mA	2.3	5.0 ± 0.5	—	0.6	
	V _{OHA}	I _{OHA} = 100 μA	2.3~3.6	5.0 ± 0.5	—	0.2		
I _{OHA} = 12 mA			2.3~3.6	4.5	—	0.7		
3-State Output Off-State Current	I _{OZB}	V _{IN} = V _{IH} or V _{IL} V _{I/OB} = V _{CCB} or GND	2.3~3.6	5.0 ± 0.5	—	± 5.0	μA	
	I _{OZA}	V _{IN} = V _{IH} or V _{IL} V _{I/OA} = V _{CCA} or GND	2.3~3.6	5.0 ± 0.5	—	± 5.0		
Input Leakage Current	I _{IN}	V _{IN} (DIR, \overline{OE}) = V _{CCB} or GND	3.6	5.5	—	± 5.0	μA	
Power Off Leakage Current	I _{OFF}	V _{INA} , V _{INB} = 0~5.5 V	0	0	—	10	μA	
Quiescent Supply Current	I _{CCB}	V _{INA} = V _{CCA} or GND V _{INB} = V _{CCB} or GND	3.6	5.5	—	50	μA	
	I _{CCA}	V _{INA} = V _{CCA} or GND V _{INB} = V _{CCB} or GND	3.6	5.5	—	80		
	I _{CCTB}	V _{INB} = V _{CCB} - 0.6 V PER INPUT	3.6	5.0 ± 0.5	—	500		
	I _{CCTA}	V _{INA} = 3.4 V PER INPUT	2.3~3.6	5.5	—	2.0	mA	

AC Characteristics (Input $t_r = t_f = 3 \text{ ns}$, $R_L = 500 \Omega$)

$V_{CCB} = 3.3 \pm 0.3 \text{ V}$

PARAMETER	SYMBOL	TEST CONDITION	CL (pF)	VCCA (V)	Ta = -40~85°C		UNIT				
					MIN	MAX					
Propagation Delay Time (Bn \Rightarrow An)	t_{pLH} t_{pHL}	Input : Bn Ouptut : An (DIR = "L")	50	5.0 ± 0.5	1.0	7.5	ns				
3-State Output Enable Time ($\overline{OE} \Rightarrow$ An)	t_{pZL} t_{pZH}							50	5.0 ± 0.5	1.0	9.5
3-State Output Disable Time ($\overline{OE} \Rightarrow$ An)	t_{pLZ} t_{pHZ}										
Propagation Delay Time (An \Rightarrow Bn)	t_{pLH} t_{pHL}	Input : An Ouptut : Bn (DIR = "H")	50	5.0 ± 0.5	1.0	8.5	ns				
3-State Output Enable Time ($\overline{OE} \Rightarrow$ Bn)	t_{pZL} t_{pZH}							50	5.0 ± 0.5	1.0	9.5
3-State Output Disable Time ($\overline{OE} \Rightarrow$ Bn)	t_{pLZ} t_{pHZ}										
Output to Output Skew	t_{osLH} t_{osHL}	(Note 10)	50	5.0 ± 0.5	—	1.0	ns				

$V_{CCB} = 2.5 \pm 0.2 \text{ V}$

PARAMETER	SYMBOL	TEST CONDITION	CL (pF)	VCCA (V)	Ta = -40~85°C		UNIT				
					MIN	MAX					
Propagation Delay Time (Bn \Rightarrow An)	t_{pLH} t_{pHL}	Input : Bn Ouptut : An (DIR = "L")	50	5.0 ± 0.5	1.0	9.0	ns				
3-State Output Enable Time ($\overline{OE} \Rightarrow$ An)	t_{pZL} t_{pZH}							50	5.0 ± 0.5	1.0	13.0
3-State Output Disable Time ($\overline{OE} \Rightarrow$ An)	t_{pLZ} t_{pHZ}										
Propagation Delay Time (An \Rightarrow Bn)	t_{pLH} t_{pHL}	Input : An Ouptut : Bn (DIR = "H")	30	5.0 ± 0.5	1.0	9.5	ns				
3-State Output Enable Time ($\overline{OE} \Rightarrow$ Bn)	t_{pZL} t_{pZH}							30	5.0 ± 0.5	1.0	12.5
3-State Output Disable Time ($\overline{OE} \Rightarrow$ Bn)	t_{pLZ} t_{pHZ}										
Output to Output Skew	t_{osLH} t_{osHL}	(Note 10)	30 or 50	5.0 ± 0.5	—	1.0	ns				

(Note 10) : Parameter guaranteed by design.

$$(t_{osLH} = |t_{pLHm} - t_{pLHn}|, t_{osHL} = |t_{pHLm} - t_{pHLn}|)$$

Capacitive characteristics (Ta = 25°C)

V_{CCB} = 2.5, 3.3 V

PARAMETER	SYMBOL	TEST CONDITION	V _{CCA} (V)	TYP.	UNIT
Input Capacitance	C _{I/N}	DIR, \overline{OE}	5.0	TBD	pF
Output Capacitance	C _{I/O}	An, Bn	5.0	TBD	pF
Power Dissipation Capacitance (Note 11)	C _{PD A}	A ⇒ B (DIR = "H")	5.0	20	pF
		B ⇒ A (DIR = "L")	5.0	66	
	C _{PD B}	A ⇒ B (DIR = "H")	5.0	34	
		B ⇒ A (DIR = "L")	5.0	4	

(Note 11) : C_{PD} is defined as the value of the internal equivalent capacitance which is calculated from the operating current consumption without load.

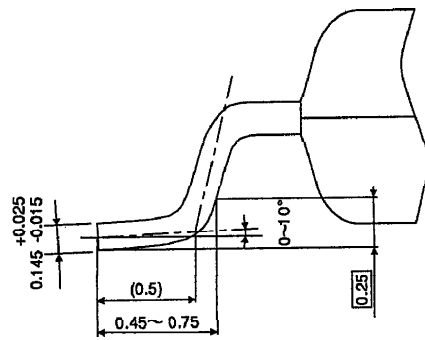
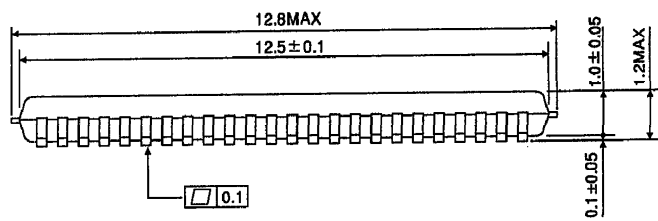
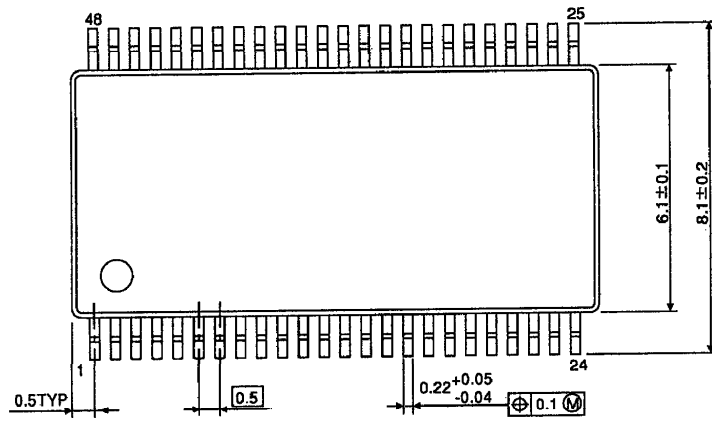
Average operating current can be obtained by the equation :

$$I_{CC(opr.)} = C_{PD} \cdot V_{CC} \cdot f_{IN} + I_{CC} / 16 \text{ (per bit)}$$

OUTLINE DRAWING

TSSOP48-P-0061-0.50

Unit : mm



Weight : 0.25 g (Typ.)