

VI TELEFILTER**Resonator Specification****TFR 433 G1****1/5****Measurement condition**

Ambient temperature: 25 °C
 Input power level: 0 dBm
 Terminating impedance
 for input: 50Ω || 0pF
 for output: 50Ω || 0pF

Characteristics**Remark:**

The minimum of the pass band attenuation a_{\min} is defined as the insertion loss a_e . The centre frequency f_C is the frequency of the minimum of the passband attenuation a_{\min} . The tolerance for the centre frequency also includes a frequency shift due to the temperature coefficient of frequency TC_f in the operating temperature range and a production tolerance for the centre frequency f_C .

D a t a		typ. value	tolerance/limit
Insertion loss (Reference level)	$a_e = a_{\min}$	1,2 dB	max. 1,8 dB
Centre frequency	f_C	433,870 MHz	± 75 kHz
Ageing of centre frequency	f_C		max. ± 50 ppm
Parallel capacitance	C_0	2,5 pF	-
Motional resistance	R_1	14,5 Ω	-
Motional inductance	L_1	94,8 μH	-
Motional capacitance	C_1	1,4 fF	-
Operating temperature range		-	- 10..... + 70 °C
Storage temperature range		-	- 30..... + 85 °C
Turnover temperature	T_o	30 °C	-
Temperature Coefficient of frequency	TC_f^{**}	- 0,036 ppm / K ²	-
Phase	φ	-	-20 + 20 °

***) $\Delta f(\text{Hz}) = TC_f(\text{ppm/K}^2) \times (T-T_o)^2 \times f_{T_o}(\text{MHz})$

generated:

checked / approved:

TELEFILTER GmbH
Potsdamer Straße 18
D 14 513 TELTOW / Germany
Tel: (+49) 3328 4784-0 / Fax: (+49) 3328 4784-30
E-Mail: tft@telefilter.com

VI TELEFILTER reserves the right to make changes to the product(s) and/or information contained herein without notice. No liability is assumed as a result of their use or application. No rights under any patent accompany the sale of any such product(s) or information.

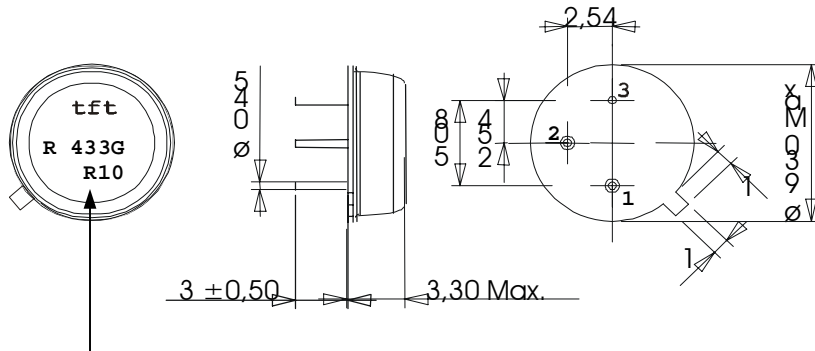
VI TELEFILTER

Resonator Specification

TFR 433 G1

Construction, pin configuration and 50 Ω - matching network

(All dimensions in mm)

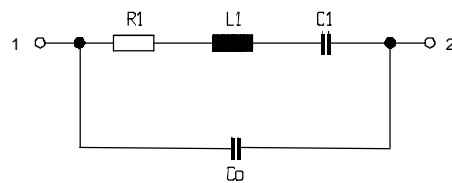
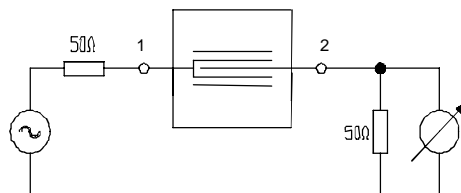


date code: year + week

N 2001
 P 2002
 R 2003

Pin 1 Input
 Pin 2 Output
 Pin 3 Package Ground

50 Ohm Test circuit



TELEFILTER GmbH
 Potsdamer Straße 18
 D 14 513 TELTOW / Germany
 Tel: (+49) 3328 4784-0 / Fax: (+49) 3328 4784-30
 E-Mail: tft@telefilter.com

VI TELEFILTER reserves the right to make changes to the product(s) and/or information contained herein without notice. No liability is assumed as a result of their use or application. No rights under any patent accompany the sale of any such product(s) or information.

Stability Characteristics

After the following tests the filter shall meet the whole specification:

1. Shock: 500g, 18 ms, half sine wave, 3 shocks each plane;
DIN IEC 68 T2 - 27
2. Vibration: 10 Hz to 500 Hz, 0,35 mm or 5g respectively, 1 octave per min, 10 cycles per plan, 3 plans;
DIN IEC 68 T2 - 6
3. Change of temperature: -55 °C to 125°C / 30 min. each / 10 cycles
DIN IEC 68 part 2 – 14 Test N
4. Resistance to solder heat (reflow): reflow possible: twice max.;
for temperature conditions, please refer to the attached "Air reflow temperature conditions" on page 4;

VI TELEFILTER**Resonator Specification****TFR 433 G1****4/5****Air reflow temperature conditions**

1st and 2nd air reflow profile

Name:	pre-heating periods	main-heating periods	peak temperature
Temperature:	150 °C - 170 °C	over 200 °C	255 °C ± 5 °C
Time:	60 sec. - 90 sec.	20 sec. - 25 sec.	

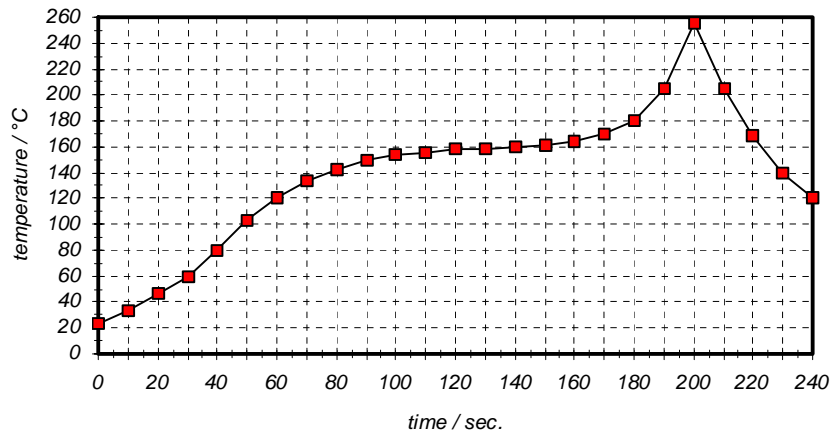
Chip-mount air reflow profile

Table for temperature vs. time during the air reflow process

Tolerance of temperatures: ± 5 °C

time / sec.	temperature / °C	time / sec.	temperature / °C
0	23	140	160
10	34	150	161
20	46	160	164
30	60	170	170
40	80	180	180
50	103	190	205
60	121	195	230
70	134	200	255
80	143	205	230
90	150	210	205
100	154	215	180
110	156	220	165
120	158	230	140
130	159	240	120

History

TELEFILTER GmbH
 Potsdamer Straße 18
 D 14 513 TELTOW / Germany
 Tel: (+49) 3328 4784-0 / Fax: (+49) 3328 4784-30
 E-Mail: tft@telefilter.com

VI TELEFILTER reserves the right to make changes to the product(s) and/or information contained herein without notice. No liability is assumed as a result of their use or application. No rights under any patent accompany the sale of any such product(s) or information.

