

**VI TELEFILTER****Preliminary Specification****TFS 1842****1/5****Measurement condition**

Ambient temperature: 23 °C  
 Input power level: 13 dBm  
 Terminating impedances  
     for input: 50 Ohm  
     for output: 50 Ohm

**Characteristics****Remark:**

The maximum attenuation in the pass band is defined as the insertion loss. The nominal frequency  $f_N$  is fixed at 1842,5 MHz without any tolerance or limit. The values of absolute attenuation  $a_{rel}$  are guaranteed for the whole operating temperature range. The frequency shift of the filter in the operating temperature range is included in the production tolerance scheme.

<b>D a t a</b>		<b>typ. value</b>		<b>tolerance/limit</b>	
<b>Insertion loss</b>	within PB	-		max. 3,9	dB
<b>Nominal frequency</b>	$f_N$	-		1842,5	MHz
<b>Centre frequency</b>	$f_C$	1842,5	MHz	-	
<b>Pass band</b>	PB	-		$f_N \pm 37,5$	MHz
<b>Pass-band ripple</b>	within PB	-		max. 1,9	dB
<b>Absolute attenuation</b>	$a_{abs}$				
10 MHz ... 370 MHz		-		min. 40	dB
370 MHz ... 1300 MHz		-		min. 37	dB
1300 MHz ... 1705 MHz		-		min. 30	dB
1705 MHz ... 1785 MHz		-		min. 10	dB
1920 MHz ... 1980 MHz		-		min. 10	dB
1980 MHz ... 2530 MHz		-		min. 23	dB
2530 MHz ... 2680 MHz		-		min. 31	dB
2680 MHz ... 3400 MHz		-		min. 28	dB
3400 MHz ... 3975 MHz		-		min. 24	dB
3975 MHz ... 4200 MHz		-		min. 23	dB
4200 MHz ... 4920 MHz		-		min. 10	dB
4920 MHz ... 5200 MHz		-		min. 7	dB
5200 MHz ... 6000 MHz		-		min. 5	dB
<b>VSWR</b>	within PB				
input		2,3	: 1		
output		2,5	: 1		
<b>Operating temperature range</b>		-		- 20 °C ... + 80 °C	
<b>Storage temperature range</b>		-		- 40 °C ... + 85 °C	
<b>Temperature coefficient of frequency</b>	TCf	t.b.d.		-	
<b>Input power level</b>		-		max. 15	dBm

generated: \_\_\_\_\_

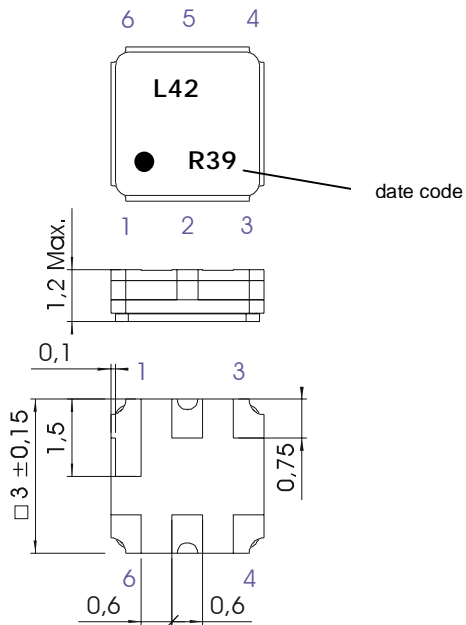
checked / approved: \_\_\_\_\_

Tele Filter GmbH  
 Potsdamer Straße 18  
 D 14 513 TELTOW / Germany  
 Tel: (+49) 3328 4784-0 / Fax: (+49) 3328 4784-30  
 E-Mail: [tft@telefilter.com](mailto:tft@telefilter.com)

VI TELEFILTER reserves the right to make changes to the product(s) and/or information contained herein without notice. No liability is assumed as a result of their use or application. No rights under any patent accompany the sale of any such product(s) or information.

**Construction and pin configuration**

(All dimensions in mm)



Date code: Year+week

N	2001
P	2002
R	2003
	...

Pin 1	Ground
Pin 2	Input
Pin 3	Ground
Pin 4	Ground
Pin 5	Output
Pin 6	Ground

**Tele Filter GmbH**  
**Potsdamer Straße 18**  
**D 14 513 TELTOW / Germany**  
**Tel: (+49) 3328 4784-0 / Fax: (+49) 3328 4784-30**  
**E-Mail: [tft@telefilter.com](mailto:tft@telefilter.com)**

VI TELEFILTER reserves the right to make changes to the product(s) and/or information contained herein without notice. No liability is assumed as a result of their use or application. No rights under any patent accompany the sale of any such product(s) or information.

**Stability Characteristics**

After the following tests the filter shall meet the whole specification:

1. Shock: 500g, 18 ms, half sine wave, 3 shocks each plane;  
DIN IEC 68 T2 - 27
2. Vibration: 10 Hz to 500 Hz, 0,35 mm or 5g respectively, 1 octave per min, 10 cycles per plan, 3 plans;  
DIN IEC 68 T2 - 6
3. Change of temperature: -55 °C to 125 °C / 30 min. each / 10 cycles  
DIN IEC 68 part 2 – 14 Test N
4. Resistance to solder heat (reflow): reflow possible: twice max.;  
for temperature conditions, please refer to the attached "Air reflow temperature conditions" on page 4

**Packing**

Tape & Reel:

IEC 286 - 3, with exception of value for N and minimum bending radius;  
tape type II, embossed carrier tape with top cover tape on the upper side;

max. pieces of filters per reel:

9000

reel of empty components at start:

min 300 mm

reel of empty components at start including leader:

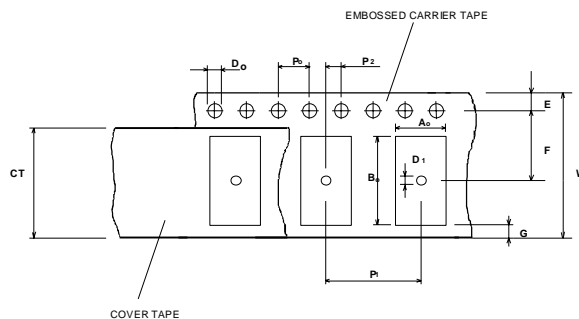
min 500 mm

trailer

min 300 mm

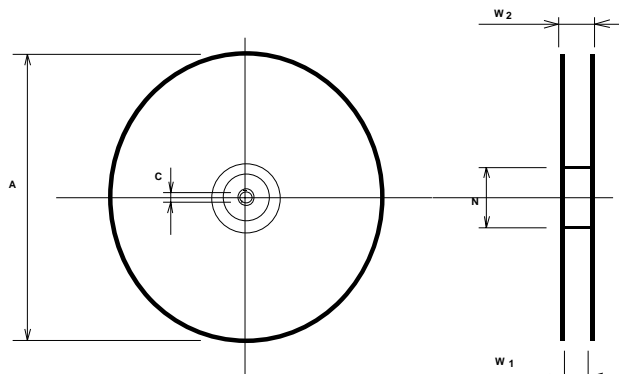
Tape (all dimensions in mm)

W	: 8	± 0,3
Po	: 4	± 0,1
Do	: 1,5	+ 0,1
E	: 1,75	± 0,1
F	: 3,5	± 0,05
G (min)	: 0,75	
P2	: 2	± 0,05
P1	: 4	± 0,1
D1(min)	: 1,5	
Ao	: 3,25	± 0,1
Bo	: 3,25	± 0,1
CT	: 5,5	± 0,2



Reel (all dimensions in mm):

A	: 330
W1	: 8,4 + 2,0
W2 (max)	: 14,4
N (min)	: 50
C	: 13 +0,5/ -0,2



The minimum bending radius is 45 mm. The mounting surface of the filters faces the bottom side of the embossed carrier tape. Markings on the filters can be read if the upper side of the carrier tape is regarded with the sprocket holes on its right.

Tele Filter GmbH

Potsdamer Straße 18

D 14 513 TELTOW / Germany

Tel: (+49) 3328 4784-0 / Fax: (+49) 3328 4784-30

E-Mail: [ftf@telefilter.com](mailto:ftf@telefilter.com)

VI TELEFILTER reserves the right to make changes to the product(s) and/or information contained herein without notice. No liability is assumed as a result of their use or application. No rights under any patent accompany the sale of any such product(s) or information.

**Air reflow temperature conditions**

1st and 2nd air reflow profile

<b>Name:</b>	pre-heating periods	main-heating periods	peak temperature
<b>Temperature:</b>	150 °C - 170 °C	over 200 °C	255 °C ± 5 °C
<b>Time:</b>	60 sec. - 90 sec.	20 sec. - 25 sec.	

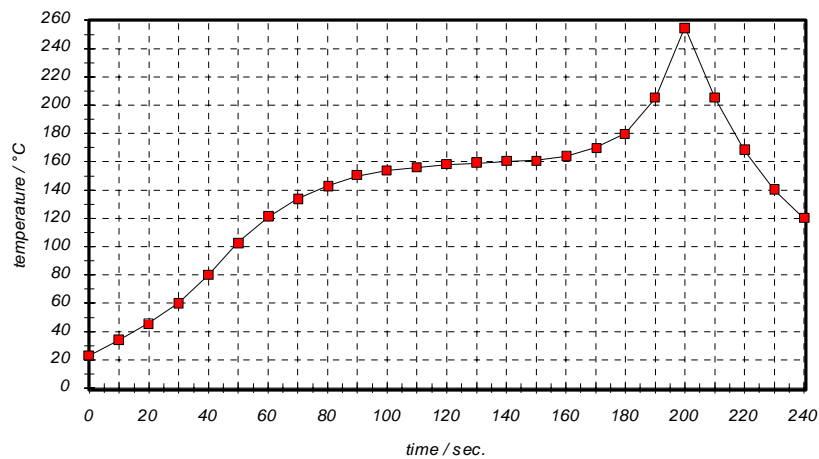
**Chip-mount air reflow profile**

Table for temperature vs. time during the air reflow process

Tolerance of temperatures: ± 5 °C

time / sec.	temperature / °C	time / sec.	temperature / °C
0	23	140	160
10	34	150	161
20	46	160	164
30	60	170	170
40	80	180	180
50	103	190	205
60	121	195	230
70	134	200	255
80	143	205	230
90	150	210	205
100	154	215	180
110	156	220	165
120	158	230	140
130	159	240	120

**History**

<b>Version</b>	<b>Reason of Change</b>	<b>Name</b>	<b>Date</b>
1.0	generation of "Development specification" according to customer requirements	Steiner	24.07.2003
1.1	generate preliminary specification. change rejections 4200.0 ... 4920.0 MHz : from 15 dB to 10 dB 4920.0 ... 5200.0 MHz : from 10 dB to 7 dB	Konietzko	16.09.2003
1.2	package corrected	Pfeiffer	24.09.2003
1.3	change pass band change relative attenuation to absolute attenuation	Roizengaft	14.10.2003
1.4	typical values for VSWR added	Steiner	22.10.2003
1.5	definition of packing	Roizengaft	30.10.2003