

## 75 Ω VIDEO LINE DRIVER

### FEATURES

- Superimpose Circuit for Character (140 IRE) and Border (70 IRE) Generation
- Fixed Gain (6 dB)
- Internal 75 Ω Driver with Clamp Circuit
- Very Small Output Capacitor Using SAG Function Pin
- Active High ON/OFF Control
- Very Low Standby Current (typ.  $I_{STBY} \leq 25 \mu A$ )
- Single +5 V Power Supply Operation

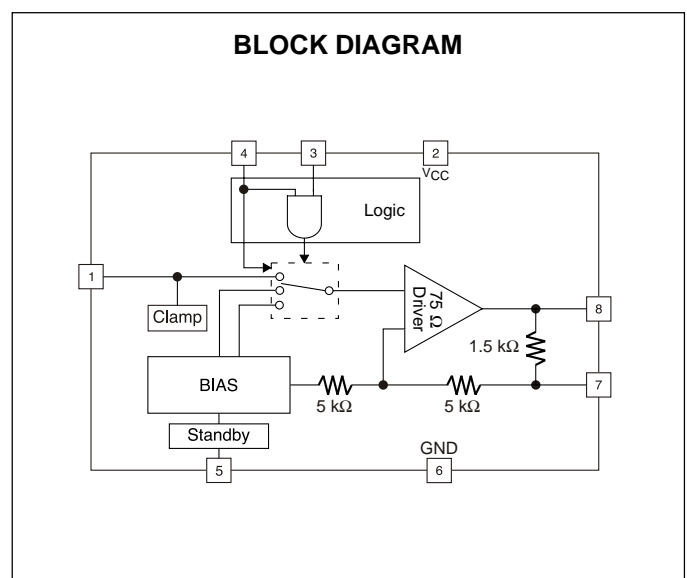
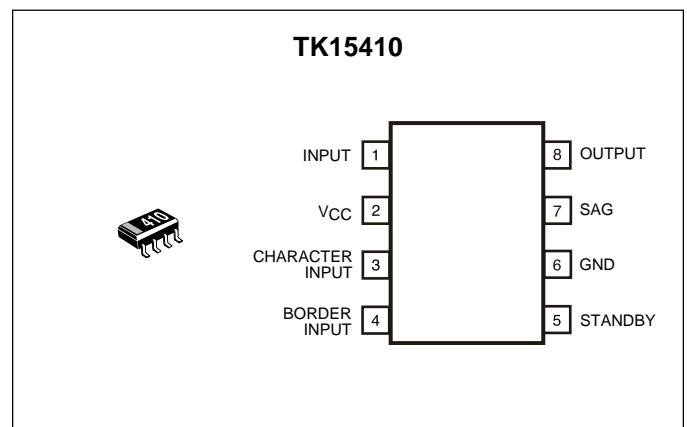
### DESCRIPTION

Operating from a single +5 V supply, the TK15410 is a single-channel video line driver IC that takes a standard video analog input and provides a buffered analog output for driving a 150 Ω load. The standard video input signal ( $1 V_{P-P}$  typical) is internally clamped to 1.25 V and amplified 6 dB to produce  $2 V_{P-P}$  (typical) into a series 75 Ω resistor and 75 Ω cable load. The internal 1.5 k SAG function resistor provides gain compensation for low frequency signals. The built-in superimpose circuit provides the addition of character (140 IRE) and border (70 IRE) generation to the video signal. During standby (Pin 5 grounded), the TK15410 consumes only 125 μW of power. Nominal power dissipation (no input) is typically 73 mW.

The TK15410M is available in the SOT23L-8 surface mount package.

### APPLICATIONS

- Video Equipment
- Digital Cameras
- CCD Cameras
- TV Monitors
- Video Tape Recorders
- LCD Projectors



### ORDERING INFORMATION

TK15410M □□

Tape/Reel Code

TAPE/REEL CODE  
TL: Tape Left

# TK15410

## ABSOLUTE MAXIMUM RATINGS

Supply Voltage ..... 6 V      Storage Temperature Range ..... -55 to +150 °C  
 Operating Voltage Range ..... 4.5 to 5.5 V      Operating Temperature Range ..... -25 to +85 °C  
 Power Dissipation (Note 1) ..... 200 mW

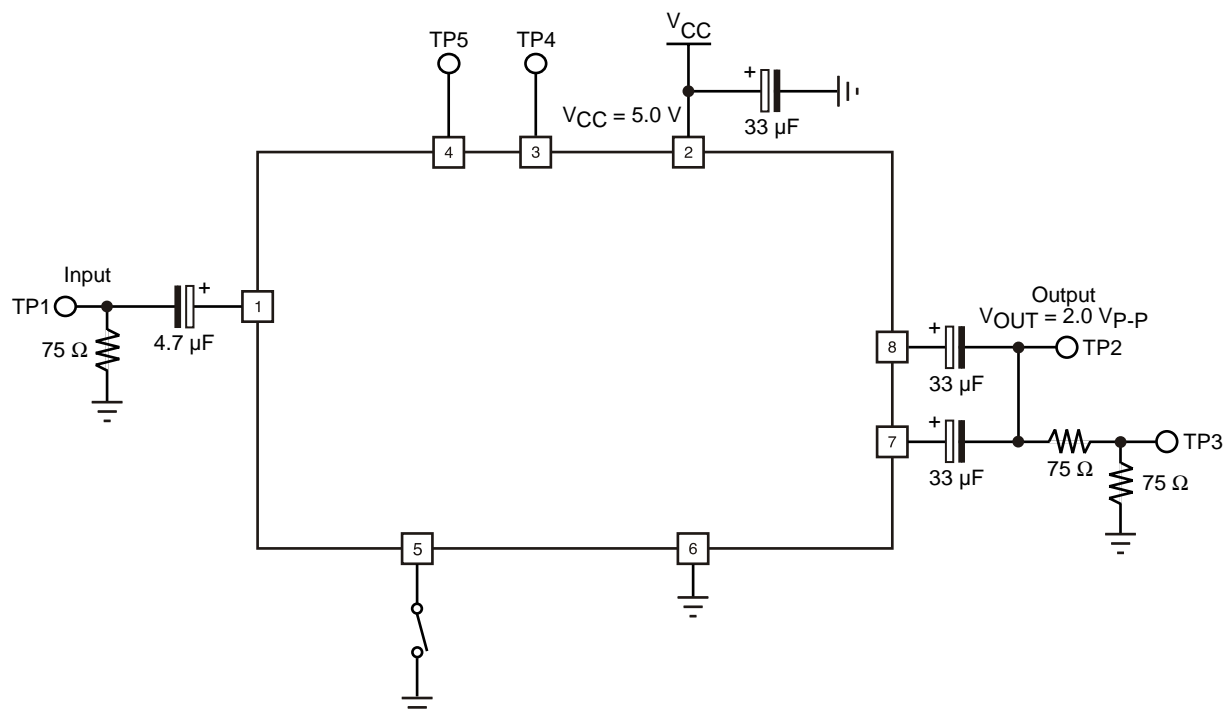
## TK15410M ELECTRICAL CHARACTERISTICS

Test conditions:  $V_{CC} = 5.0\text{ V}$ ,  $V_{IN} = 1.0\text{ V}_{P-P}$ ,  $R_L = 150\ \Omega$ ,  $T_A = 25\ ^\circ\text{C}$  unless otherwise specified.

SYMBOL	PARAMETER	TEST CONDITIONS	MIN	TYP	MAX	UNITS
$I_{CC}$	Supply Current	No input		14.5	20.0	mA
$I_{STBY}$	Standby Supply Current	Pin 5 Grounded		25.0	50.0	$\mu\text{A}$
$I_{OS}$	Standby Terminal Current	Pin 5 in Standby mode		25.0	50.0	$\mu\text{A}$
$V_{THL(SUPER)}$	Superimpose Threshold Voltage (High to Low)	Pin 3, Pin 4	GND		0.80	V
$V_{TLH(SUPER)}$	Superimpose Threshold Voltage (Low to High)	Pin 3, Pin 4	2.00		$V_{CC}$	V
$V_{THL(STBY)}$	Standby Threshold Voltage (High to Low)	Pin 5 Operating to Standby mode	GND		0.60	V
$V_{TLH*STBY)}$	Standby Threshold Voltage (Low to High)	Pin 5 Standby to Operating mode	2.00		$V_{CC}$	V
$V_{CMP}$	Clamp Voltage	Pin 1 Input terminal	1.05	1.25	1.45	V
$V_{CHA}$	Character Level	Pin 7 SAG terminal	130	140	150	IRE
$V_{BOR}$	Border Level	Pin 7 SAG terminal	60	70	80	IRE
GVA	Voltage Gain	$f_{in} = 1\text{ MHz}$	5.45	5.95	6.45	dB
DG	Differential Gain	Staircase signal input	-3.0	+1.3	+3.0	%
DP	Differential Phase	Staircase signal input	-3.0	+0.2	+3.0	deg
fr	Frequency Response	$f_{in} = 1\text{ MHz} / 5\text{ MHz}$		-0.4		dB

Note 1: Power dissipation is 200 mW in free air. Derate at 1.6 mW/°C for operation above 25°C.

## TEST CIRCUIT



Output Truth Table

Pin 3	Pin 4	Output
L	L	Pin 1
L	H	$V_{BOR}$
H	L	Pin 1
H	H	$V_{CHA}$

## MEASUREMENT METHOD

1. Supply Current ( $I_{CC}$ )

The Pin 2 current is measured with no input signal and the Standby Pin (Pin 5) open.

2. Standby Supply Current ( $I_{STBY}$ )

The Pin 2 current is measured when the Standby Pin (Pin 5) is connected to ground.

3. Standby Terminal Current ( $I_{OS}$ )

The Pin 5 current is measured when the Standby Pin (Pin 5) is connected to ground.

4. Standby Threshold Voltage (High to Low) ( $V_{THL(STBY)}$ )

The Pin 5 voltage is measured at the point which changes the device from operating mode into standby mode.

# TK15410

---

## MEASUREMENT METHOD (CONT.)

### 5. Standby Threshold Voltage (Low to High) ( $V_{TLH(STBY)}$ )

The Pin 5 voltage is measured at the point which changes the device from standby mode into operating mode.

### 6. Superimpose Threshold Voltage (High to Low) ( $V_{THL(SUPER)}$ )

The voltage at TP4 and/or TP5 is slowly decreased. The TP4 and TP5 voltage level is measured at the point at which the video signal is applied to TP2.

### 7. Superimpose Threshold Voltage (Low to High) ( $V_{TLH(SUPER)}$ )

The voltage at TP5 and/or TP4 is slowly increased. The TP4 and TP5 voltage level is measured at the point at which the character signal or the border signal (in accordance with the Output Truth Table) is applied to TP2.

### 8. Clamp Voltage ( $V_{CMP}$ )

The DC voltage at Pin 1 is measured with no input signal.

### 9. Character Level ( $V_{CHA}$ )

The character level equation is as follows:

$$V_{CHA} = (V2 - V1)/(1/140)$$

Where V1 is the measured voltage at TP3 when TP4 and TP5 are at a low level and V2 is the measured voltage at TP3 when TP4 and TP5 are at a high level.

### 10. Border Level ( $V_{BOR}$ )

The border level equation is as follows:

$$V_{BOR} = (V2 - V1)/(1/140)$$

Where V1 is the measured voltage at TP3 when TP4 and TP5 are at a low level and V2 is the measured voltage at TP3 when TP4 is at a low level and TP5 is at a high level.

### 11. Voltage Gain (GVA)

The voltage gain equation is as follows:

$$GVA = 20 \log_{10} V2/V1$$

Where V1 is the input voltage at TP1 and V2 is the measured voltage at TP2.

### 12. Differential Gain (DG)

The differential gain is measured at TP3 when a staircase waveform of 10 steps is applied to TP1.

### 13. Differential Phase (DP)

The differential phase is measured at TP3 when a staircase waveform of 10 steps is applied to TP1.

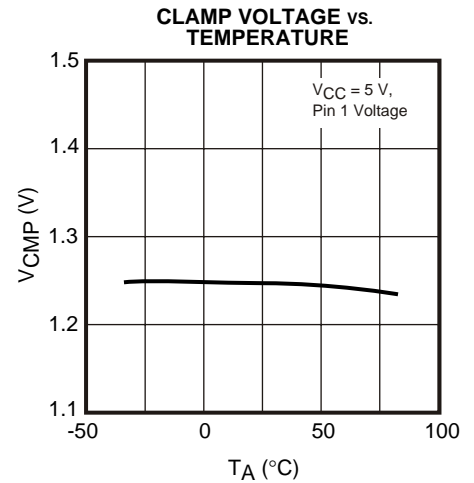
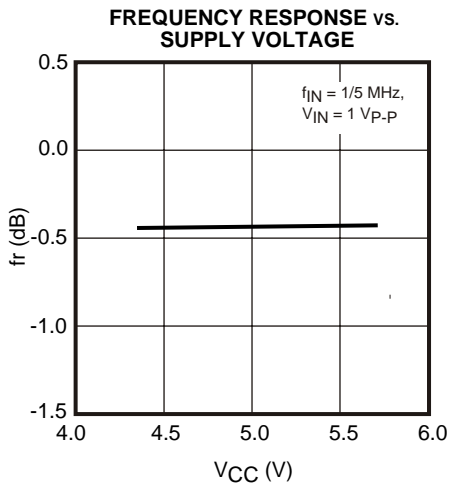
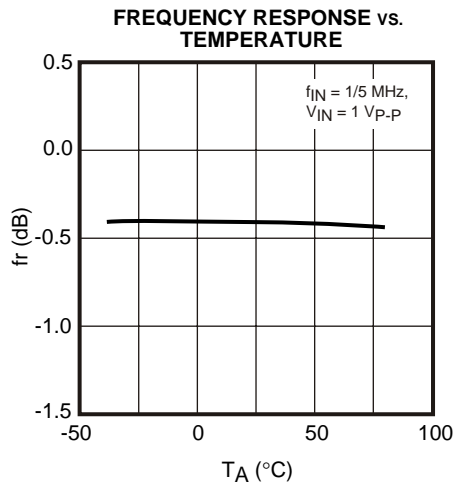
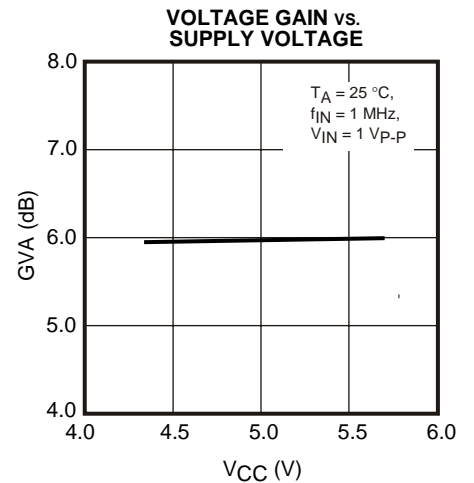
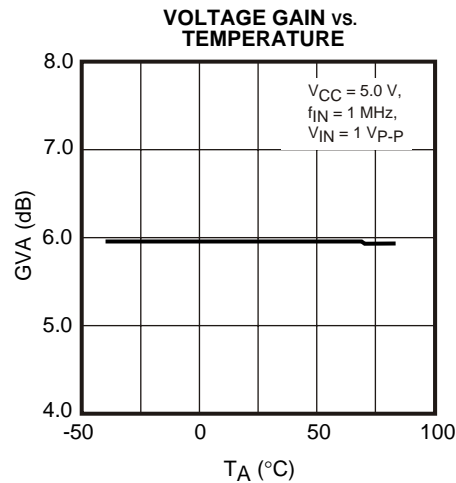
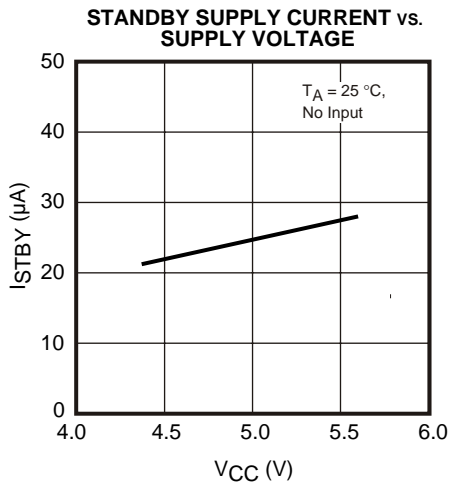
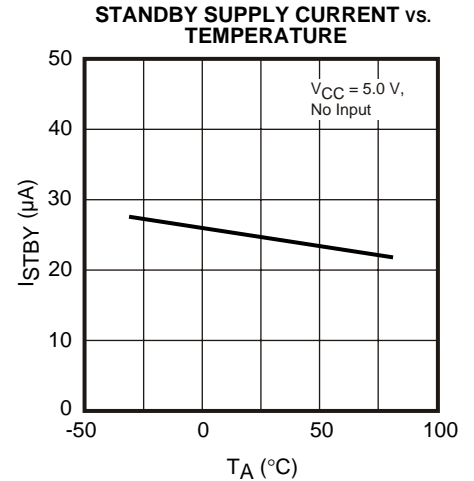
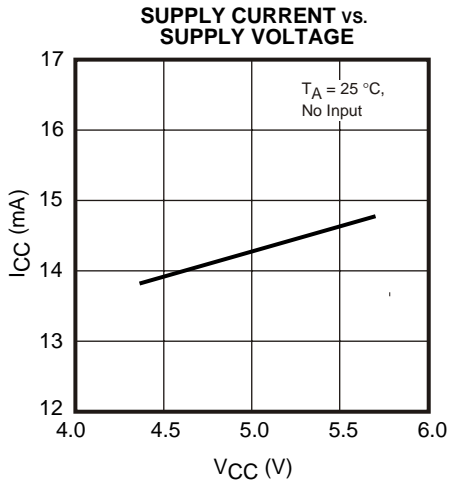
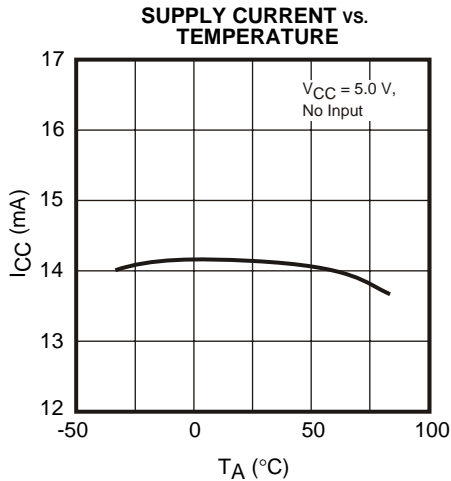
### 14. Frequency Response (fr)

The frequency response equation is as follows:

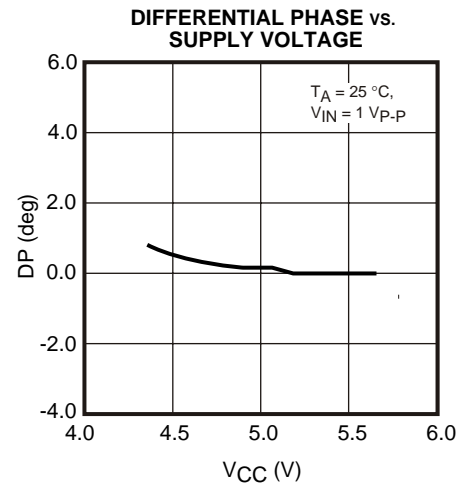
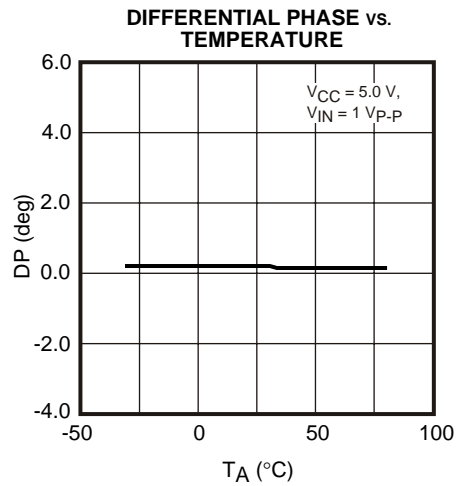
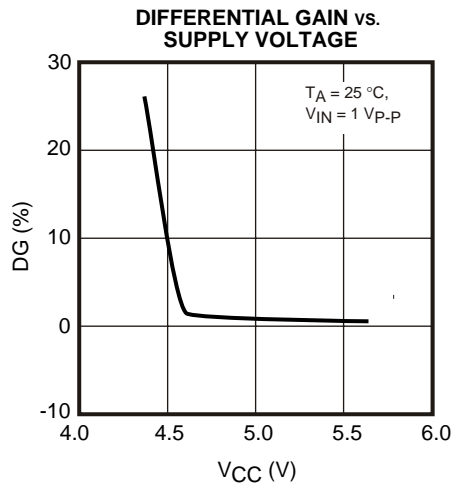
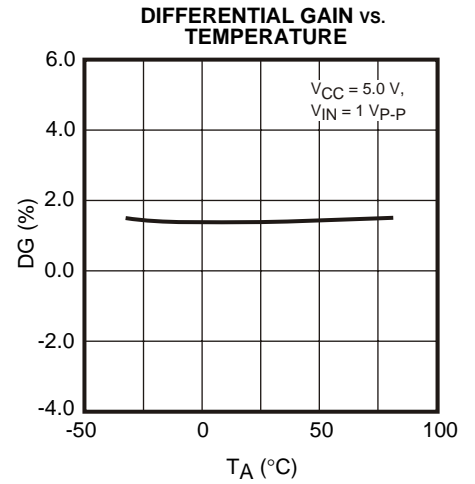
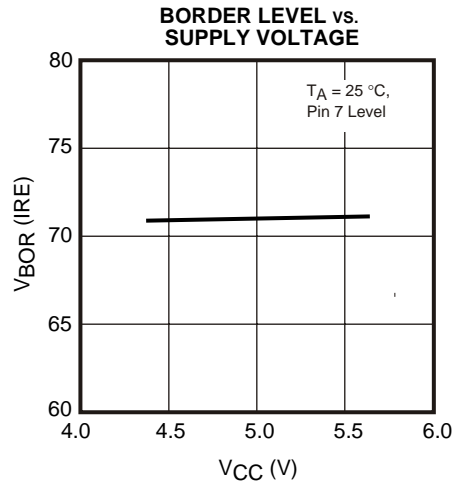
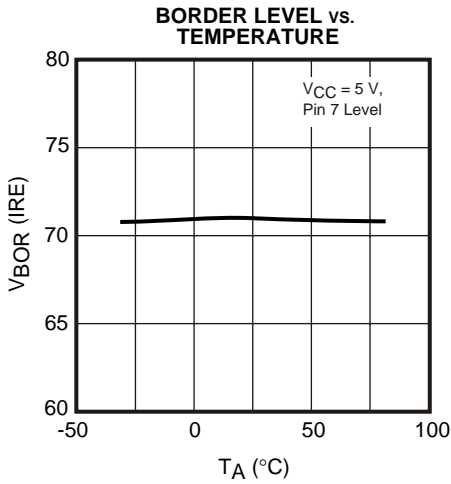
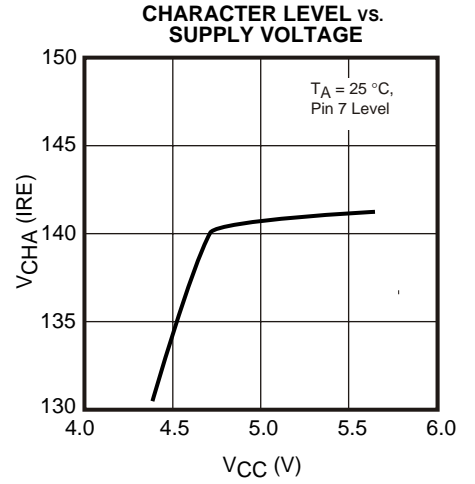
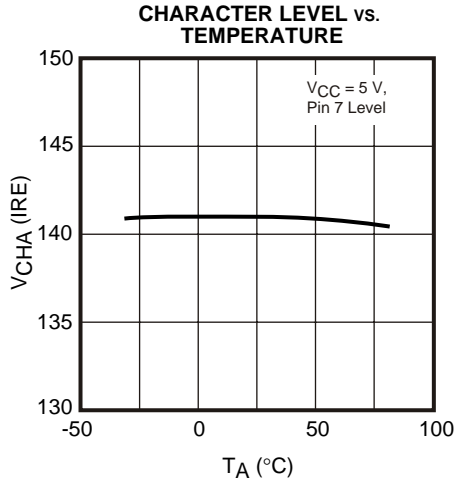
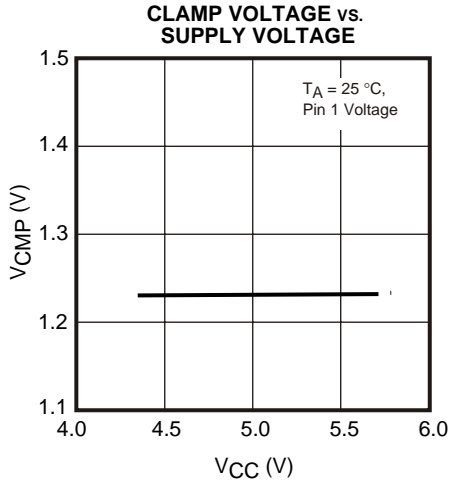
$$fr = 20 \log_{10} V2/V1$$

Where V1 is the measured TP3 voltage when the input frequency is set to 1 MHz and V2 is the measured TP3 voltage when the input frequency is set to 5 MHz.

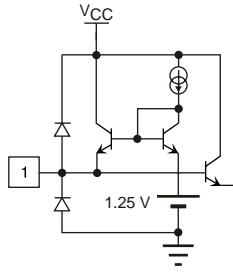
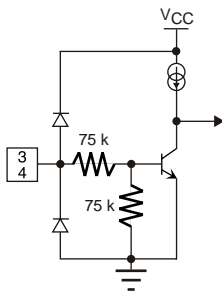
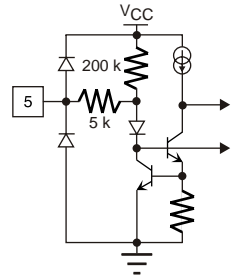
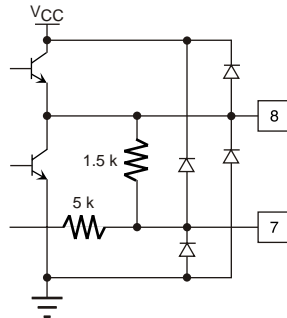
TYPICAL PERFORMANCE CHARACTERISTICS



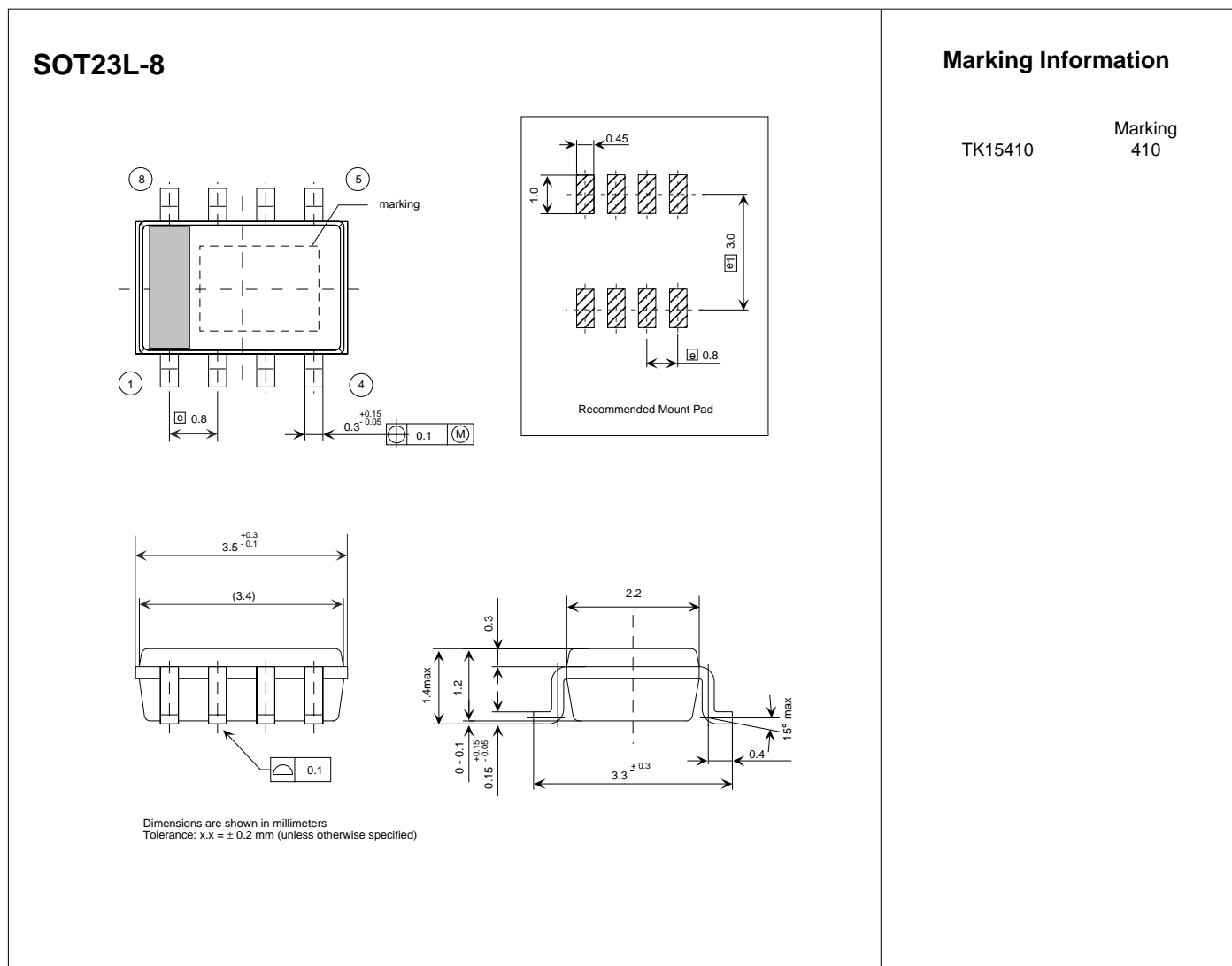
TYPICAL PERFORMANCE CHARACTERISTICS (CONT.)



## PIN FUNCTION DESCRIPTION

TERMINAL			INTERNAL EQUIVALENT CIRCUIT	DESCRIPTION
PIN NO.	SYMBOL	VOLTAGE		
1	INPUT	1.25 V		Luminance Input Terminal. The luminance input signal is clamped at 1.25 V.
2	$V_{CC}$	$V_{CC}$		Power Supply Terminal
3	CHARACTER INPUT			Pin 3: Character Signal Input Terminal.
4	BORDER INPUT			Pin 4: Border Signal Input Terminal. A video signal, a character signal, and a border signal can be selected by combining the logic levels of these two terminals.
5	STANDBY	2.1 V		Standby Logic Terminal. The device is in the standby mode when Pin 5 is connected to Low. The device is in the operating mode when Pin 5 is connected to High or Open.
6	GND	GND		GND Terminal
7	SAG OUTPUT	1.25 V		Pin 7: SAG Terminal.
8	OUTPUT	1.25 V		Pin 8: Output Terminal. The output is available to drive a $75\ \Omega + 75\ \Omega$ load.

## PACKAGE OUTLINE



**Toko America, Inc. Headquarters**  
 1250 Feehanville Drive, Mount Prospect, Illinois 60056  
 Tel: (847) 297-0070 Fax: (847) 699-7864

### TOKO AMERICA REGIONAL OFFICES

**Midwest Regional Office**  
 Toko America, Inc.  
 1250 Feehanville Drive  
 Mount Prospect, IL 60056  
 Tel: (847) 297-0070  
 Fax: (847) 699-7864

**Western Regional Office**  
 Toko America, Inc.  
 2480 North First Street, Suite 260  
 San Jose, CA 95131  
 Tel: (408) 432-8281  
 Fax: (408) 943-9790

**Eastern Regional Office**  
 Toko America, Inc.  
 107 Mill Plain Road  
 Danbury, CT 06811  
 Tel: (203) 748-6871  
 Fax: (203) 797-1223

**Semiconductor Technical Support**  
 Toko Design Center  
 4755 Forge Road  
 Colorado Springs, CO 80907  
 Tel: (719) 528-2200  
 Fax: (719) 528-2375

Visit our Internet site at <http://www.tokoam.com>

The information furnished by TOKO, Inc. is believed to be accurate and reliable. However, TOKO reserves the right to make changes or improvements in the design, specification or manufacture of its products without further notice. TOKO does not assume any liability arising from the application or use of any product or circuit described herein, nor for any infringements of patents or other rights of third parties which may result from the use of its products. No license is granted by implication or otherwise under any patent or patent rights of TOKO, Inc.