

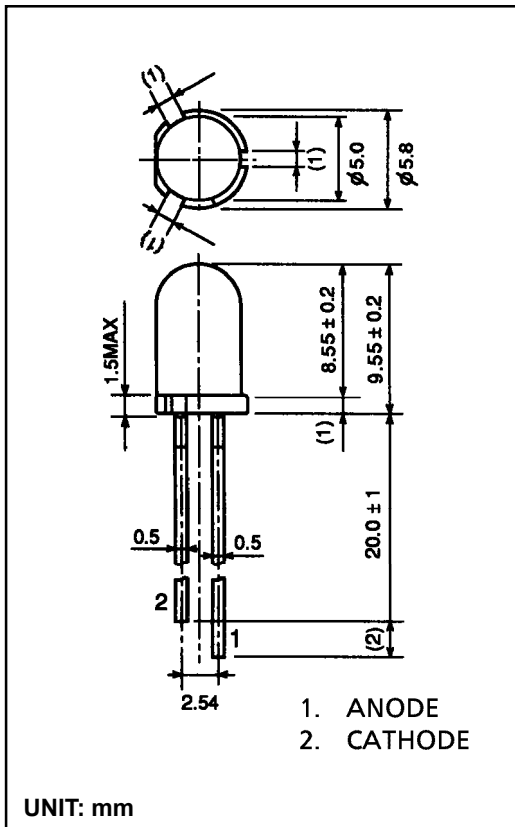
# TLGE159P

## Product Features -

- InGaAlP Technology
- 5mm Diameter T-1 $\frac{3}{4}$  Package
- High Luminous Intensity
- Water Clear Lens
- Fast Response Time, Capable of Pulse Operation

### MAXIMUM RATINGS (Ta = 25°C)

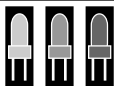
CHARACTERISTIC	SYMBOL	RATING	UNIT
Forward Current	I <sub>F</sub>	50	mA
Reverse Voltage	V <sub>R</sub>	4	V
Power Dissipation	P <sub>D</sub>	140	mW
Operating Temperature	T <sub>opr</sub>	-30 ~ 85	°C
Storage Temperature	T <sub>stg</sub>	-40 ~ 120	°C



### OPTO-ELECTRICAL CHARACTERISTICS (Ta = 25°C)

CHARACTERISTIC	SYMBOL	TEST CONDITION	MIN.	TYP.	MAX.	UNIT
Forward Voltage	V <sub>F</sub>	IF = 20mA	—	2.27	2.8	V
Reverse Current	I <sub>R</sub>	VR = 4V	—	—	50	μA
Luminous Intensity	I <sub>v</sub>	IF = 20mA	476	1400	—	mcd
Viewing Angle	2θ $\frac{1}{2}$	—	—	20	—	°
Peak Wavelength	λ <sub>p</sub>	IF = 20mA	—	574	—	nm
Dominant Wavelength	λ <sub>d</sub>	IF = 20mA	—	571	—	nm
Spectral Line Half Width	Δλ	IF = 20mA	—	11	—	nm

\* Luminous Ranks: (R : 560-1120mcd), (S : 1000-2000mcd), (T : 1800-3600mcd) Upper and lower limit tolerance ±15%  
Available in One Bin Combination: (RS)



**marktech**  
**optoelectronics**

120 Broadway • Menands, New York 12204

Toll Free: **(800) 98-4LEDS** • Fax: (518) 432-7454

## TLGE159P Graphs -

