

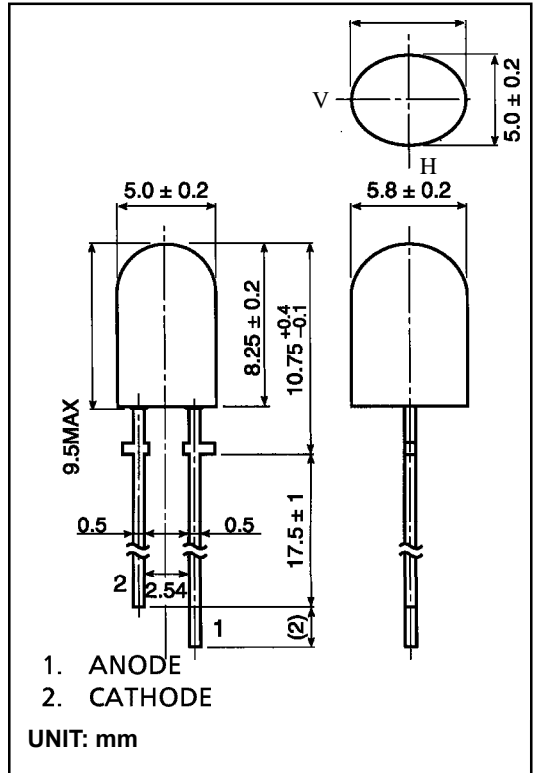
TLGE247

Product Features -

- InGaAlP Technology
- T-1¾ (5 mm) Elliptical Package
- High Intensity Green Light ($\lambda_p = 574 \text{ nm}$) Emission
- Water Clear Lens
- Elliptical Radiation Pattern (60° Vertical, 30° Horizontal)

MAXIMUM RATINGS ($T_a = 25^\circ\text{C}$)

CHARACTERISTIC	SYMBOL	RATING	UNIT
Forward Current	I_F	50	mA
Reverse Voltage	V_R	4	V
Power Dissipation	P_D	140	mW
Operating Temperature	T_{opr}	-30 ~ 85	°C
Storage Temperature	T_{stg}	-40 ~ 120	°C

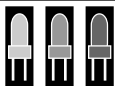


OPTO-ELECTRICAL CHARACTERISTICS ($T_a = 25^\circ\text{C}$)

CHARACTERISTIC	SYMBOL	TEST CONDITION	MIN.	TYP.	MAX.	UNIT
Forward Voltage	V_F	$I_F = 20\text{mA}$	—	2.27	2.8	V
Reverse Current	I_R	$V_R = 4\text{V}$	—	—	50	μA
Luminous Intensity	I_v	$I_F = 20\text{mA}$	150	400	—	mcd
Viewing Angle	$2\theta_{1/2}$	—	—	Note 1	—	°
Peak Wavelength	λ_p	$I_F = 20\text{mA}$	—	574	—	nm
Dominant Wavelength	λ_d	$I_F = 20\text{mA}$	—	571	—	nm
Spectral Line Half Width	$\Delta\lambda$	$I_F = 20\text{mA}$	—	11	—	nm

Note 1: Elliptical Radiation Pattern 60° Vertical, 30° Horizontal

* Luminous Ranks: (P : 180-360mcd), (Q : 320-640mcd), (R : 560-1120mcd) Upper and lower limit tolerance $\pm 15\%$
Available in One Bin Combination: (PQ)



marktech
optoelectronics

120 Broadway • Menands, New York 12204

Toll Free: (800) 98-4LEDS • Fax: (518) 432-7454

TLGE247 Graphs -

