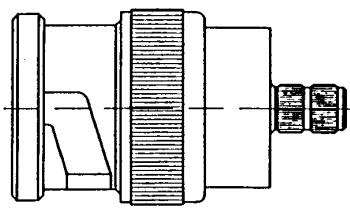
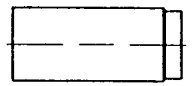


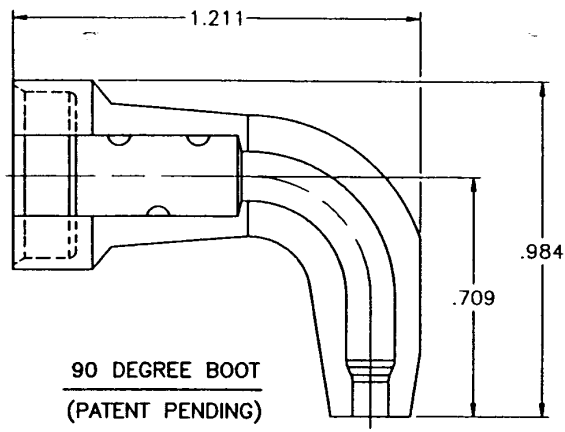
REVISIONS				
REV	DESCRIPTION	DATE		
01	RELEASED PER ERN 98143	08/28/98	YT	



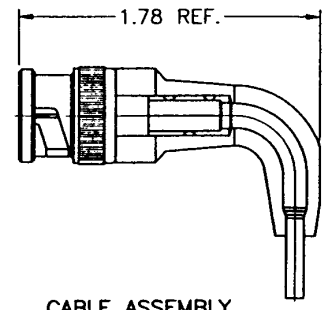
75 Ohm, QT BNC PLUG



CRIMP FERRULE



90 DEGREE BOOT  
(PATENT PENDING)



CABLE ASSEMBLY

THIS IS ISSUED IN STRICT CONFIDENCE ON CONDITION THAT IT IS NOT USED AS A BASIS FOR MANUFACTURE OR SALE, AND THAT IT IS NOT COPIED, REPRINTED OR DISCLOSED TO A THIRD PARTY EITHER WHOLLY OR IN PART WITHOUT THE PRIOR WRITTEN CONSENT OF ITT CANNON.

DO NOT SCALE DRAWING - WORK TO DIMENSIONS SHOWN

NOTES:  
1. 13th DIGIT OF PART NUMBER IS:  
S - FOR SINGLE PACKAGING  
R - FOR BULK PACKAGING

UNLESS OTHERWISE SPECIFIED DIMENSIONS ARE IN INCHES TOLERANCES ON		APPROVALS		DATE	 585 EAST MAIN STREET RF PRODUCTS NEW BRITAIN, CT 06051				
2 PLACE DEC ± .010		PREPARED	YT	08/27/98		<b>QT BNC, 75 OHM R/A PLUG</b> (735 TYPE CABLE)			
3 PLACE DEC ± .005		CHECKED	JDS	08/31/98					
FRACTIONS ± 1/64		ENGINEER	YT	08/31/98					
ANGLE ± 1°		MFR	L.S.	08/31/98					
124S9019.DWG		ASSEMBLY	BLC	08/31/98	SIZE	FSCM NO.	DWG. NO.	91R	REV.
CUST. SPEC. NO.		Q.A.	BCG	08/31/98	B	98291	W58-124-9019-91S	01	
					See: electro	SCALE	SHEET	1 OF 1	

Dwg. No. W58-124-9019-91S 1