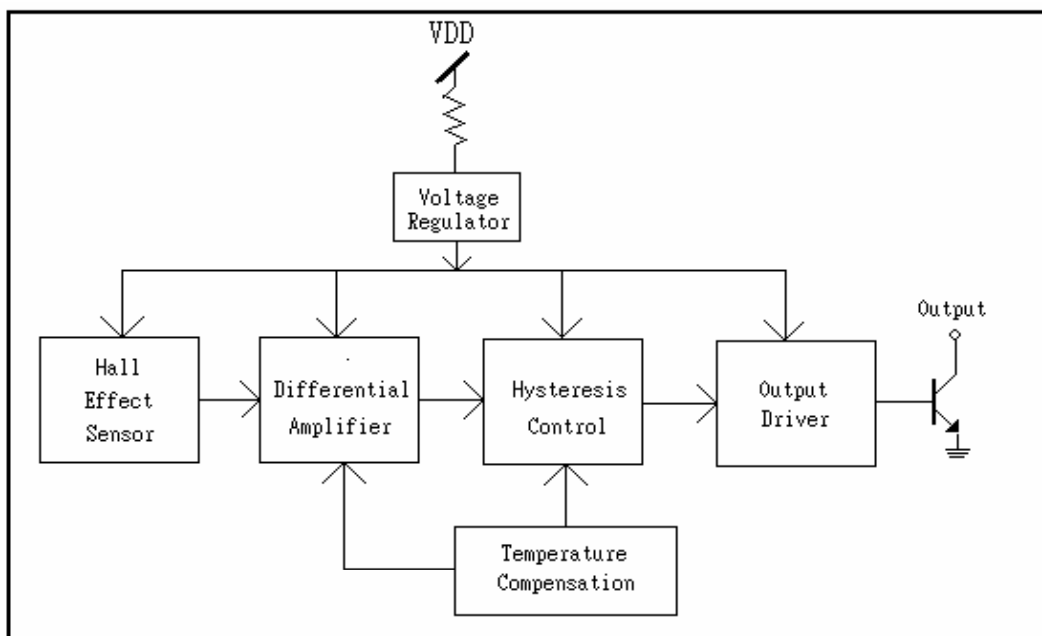


Magnetic flux density	B	-----	Unlimited
Reverse Protection Voltage	Vr	-----	26V
Output ON Current (continuous)	Ic	-----	25mA
Operating Temperature Range	Ta	-----	(-40°C to +125°C)
Storage Temperature Range	Ts	-----	(-65°C to +150°C)
Package Power Dissipation	Pd	-----	500mw

Electrical Characteristics: (T=+25°C, Vcc=2.4V to 26V)

Characteristic	Symbol	Test Conditions	Min	Typ	Max	Units
Supply Voltage	Vcc	—	2.4	—	26	V
Output Saturation Voltage	Vout (sat)	Vcc=12V, Ic=10mA B > Bop	—	0.2	0.6	V
Output Leakage Current	Ileakage	Vcc=12V, B<Brp	—	<0.1	10	uA
Supply Current	Isupply	Vcc=12V, Output Open	—	4.0	8	mA
Output Rise Time	Tr	Vcc=12V, RL=2K Ω CL=20Pf	—	1.0	10	μs
Output Falling Time	Tf	Vcc=12V, RL=2K Ω CL=20Pf	—	0.3	1.5	μs

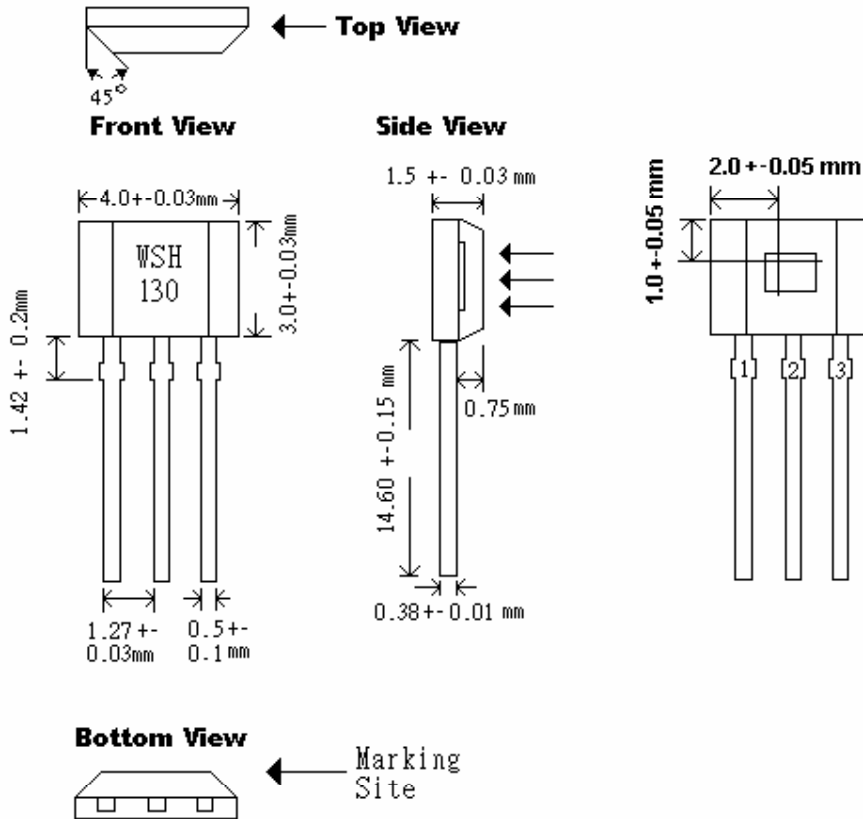
Function Block:


Winson reserves the right to make changes to improve reliability or manufacturability.

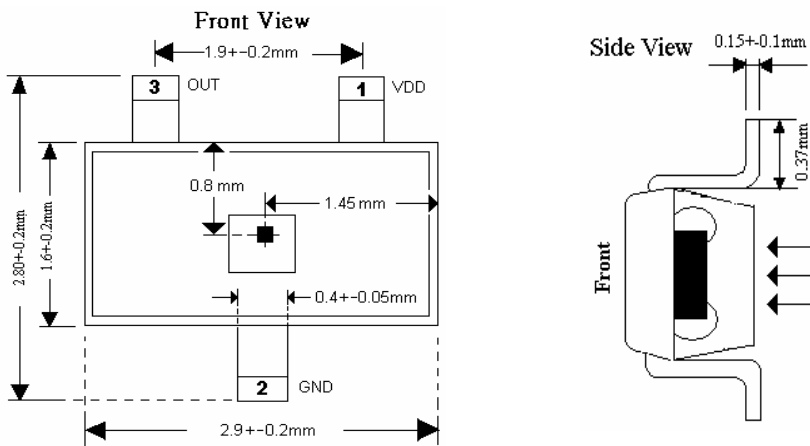
Package Information:

Package Dimension

Hall Sensor Location



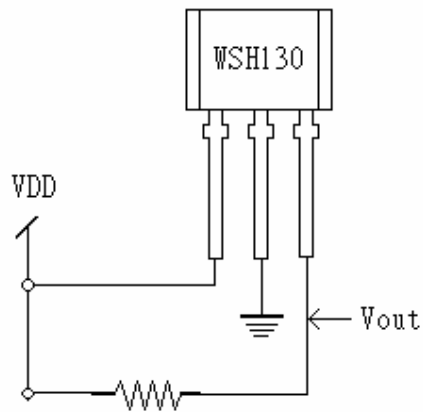
SOT23:



Winson reserves the right to make changes to improve reliability or manufacturability.

Application Circuit:

Magnetic detector:



Winson reserves the right to make changes to improve reliability or manufacturability.