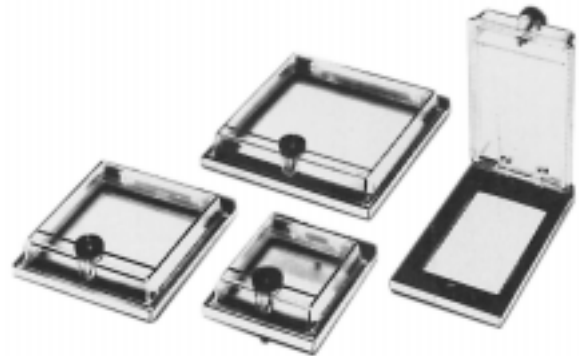


Watertight Panel Covers

Y92A-□□N

Covers Meet NEMA 4 Requirements for Hose-down Protection of Panel Mounted Devices

- Ideal for food processing and preparation machines and other control panels exposed to wash-down
- Four sizes available: 1/16 DIN, 1/8 DIN, 1/4 DIN and 72 x 72 mm
- Conforms to NEMA 4 (indoor use) and IP66



Ordering Information

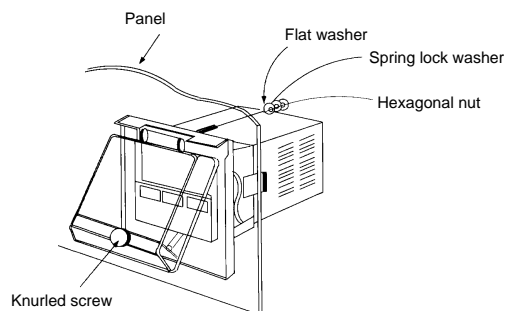
Device face size	1/4 DIN	72 x 72 mm	1/8 DIN	1/16 DIN
Part number	Y92A-96N	Y92A-72N	Y92A-49N	Y92A-48N

Specifications

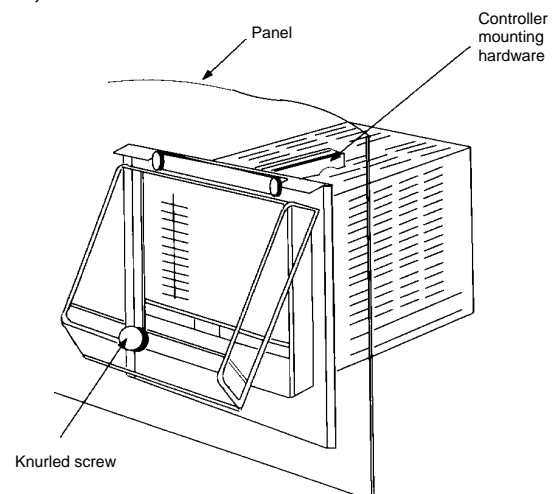
Part number		Y92A-96N	Y92A-72N	Y92A-49N	Y92A-48N
Applicable products	Temperature controllers	E5AF, E5AJ	—	E5EF, E5EJ	E5CJ, E5CS-X, E5C4, E5C2
	Process controllers	ES100X, ES100P, E5AK	—	E5EK	E5CK
Materials	Front cover	94V-2 polycarbonate			
	Gasket	Chloroprene rubber			
	Panel	304 stainless steel			

Nomenclature

■ COVER Y92A-48N 1/16 DIN



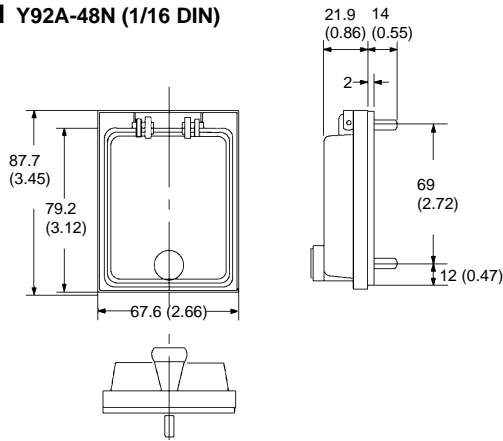
■ COVERS Y92A-96N, Y92A-72N, Y92A-49N 1/4 DIN, 72 x 72 mm, 1/8 DIN



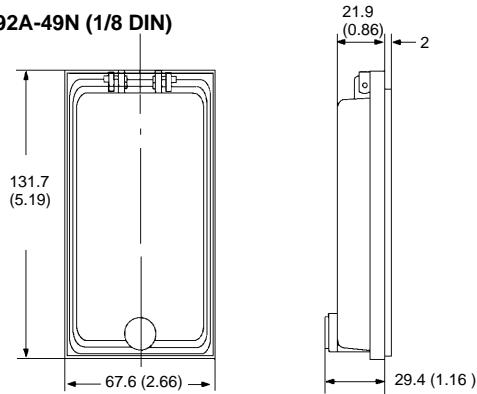
Dimensions

Unit: mm (inch)

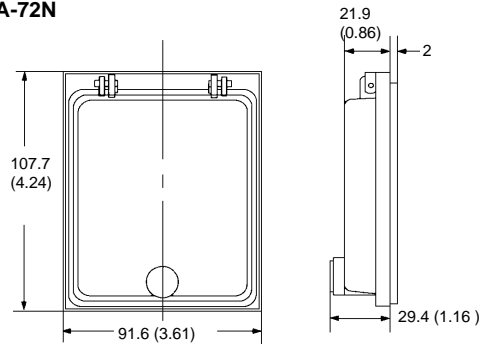
■ **Y92A-48N (1/16 DIN)**



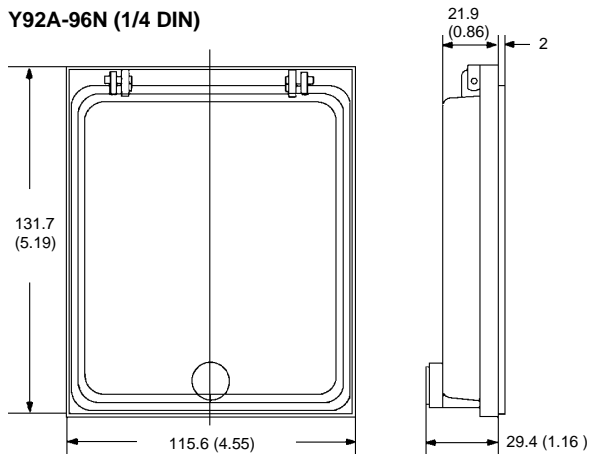
■ **Y92A-49N (1/8 DIN)**



■ **Y92A-72N**



■ **Y92A-96N (1/4 DIN)**



NOTE: DIMENSIONS ARE IN MILLIMETERS. To convert millimeters to inches, divide by 25.4



OMRON ELECTRONICS, INC.
 One East Commerce Drive
 Schaumburg, IL 60173
1-800-55-OMRON

OMRON CANADA, INC.
 885 Milner Avenue
 Scarborough, Ontario M1B 5V8
416-286-6465