



TMX W332

Low Loss SAW Bandpass Filter - WIRELESS AUDIO - RF
Specification (Rev-2)

- Technical overviewP01
- Matching Network ConfigurationP01
- Typical ResponseP02
- Package Drawing.....P03

TMX W332

Low Loss SAW Bandpass Filter - WIRELESS AUDIO - RF Specification (Rev 2)

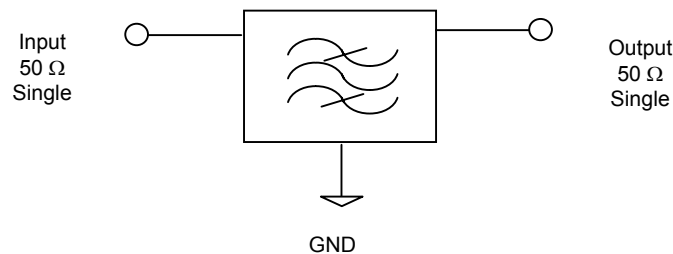
June 10th, 2005

Electrical Parameters	Unit	Minimum	Typical ⁽¹⁾	Maximum
Source Impedance (single ended)	Ω	-	50 ⁽²⁾	-
Load Impedance (single ended)	Ω	-	50 ⁽²⁾	-
Center Frequency f_0	MHz	-	864	-
Absolute Attenuation				
300 MHz to 848 MHz	dB	39	45	-
848 MHz to 853.3 MHz	dB	30	35	-
878 MHz to 882 MHz	dB	35	40	-
882 MHz to 1200 MHz	dB	48	55	-
Insertion Loss in 862.5 MHz-865.5 MHz	dB	-	2.5	3.4
Amplitude Ripple in 862.5 MHz-865.5 MHz	dB	-	0.5	1.5
VSWR	dB	-	-	2.2
Temperature Coefficient of Frequency	ppm/k	-	-30	-
Package type & size				
Length x Width	mm ²	-	3.8 x 3.8	-
Height	mm	-	1.3	1.5
Pin Out				
Input	2	Output	5	
Case Ground	1, 3, 4, 6	To Be Grounded	1, 3, 4, 6	

Notes :

- (1) Typical values are nominal performances at room temperature
- (2) No external matching circuit is required

50 Ω / 50 Ω CONFIGURATION



Maximum Ratings

Rating	Unit	Value
Operating Temperature Range	-40 to +80	$^{\circ}\text{C}$
Storage Temperature Range	-40 to +85	$^{\circ}\text{C}$
DC Permissive Voltage	10	V
Maximum RF Power	10	dBm

TMX W332

Low Loss SAW Bandpass Filter - WIRELESS AUDIO - RF
Specification (Rev 2)

June 10th, 2005

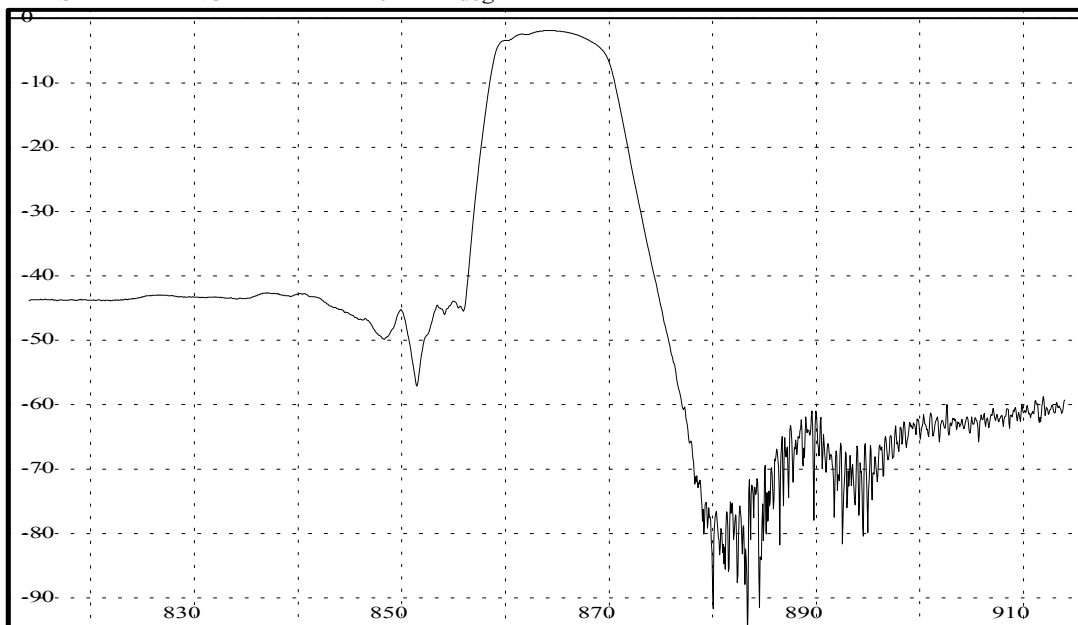
TYPICAL S21 RESPONSE

References

CENTER FREQUENCY = 0 MHz
LOSS REFERENCE = 0 dB
DELAY REFERENCE = 0 μ s
PHASE REFERENCE = 0 deg

Scales

SCALE_FREQUENCY = 10 MHz/div

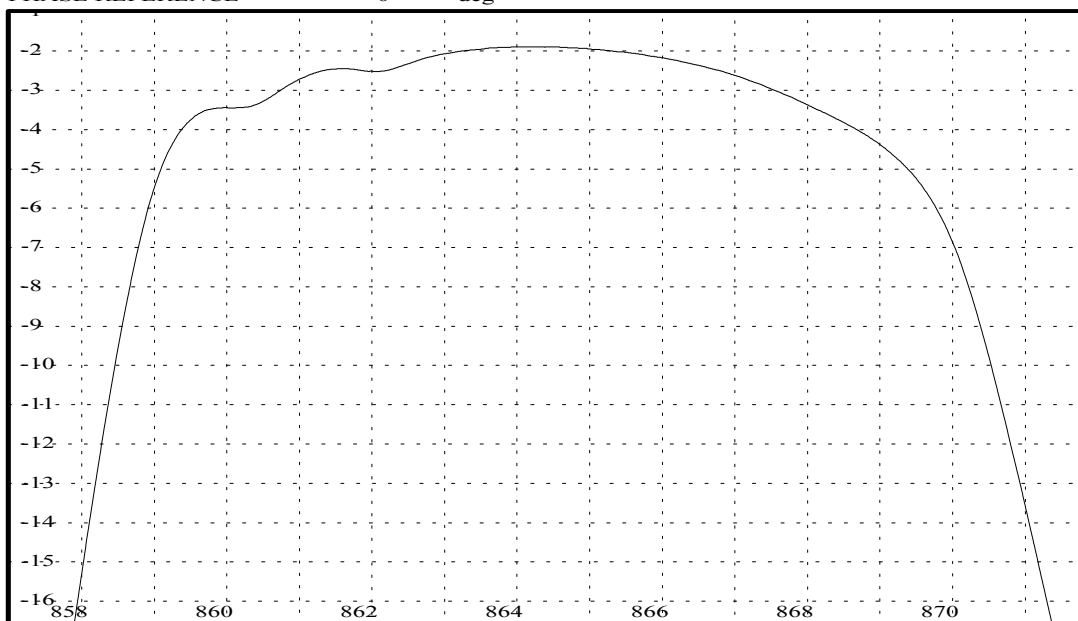


References

CENTER FREQUENCY = 0 MHz
LOSS REFERENCE = 0 dB
DELAY REFERENCE = 0 μ s
PHASE REFERENCE = 0 deg

Scales

SCALE_FREQUENCY = 1 MHz/div



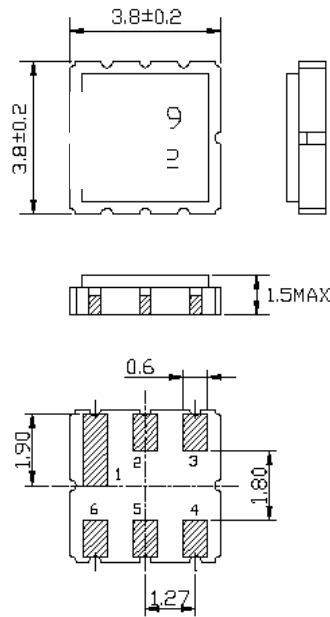
TMX W332

Low Loss SAW Bandpass Filter - WIRELESS AUDIO - RF
 Specification (Rev 2)

June 10th, 2005

PACKAGE DRAWING

Unit: mm



Pin No.	Function
2,5	Signal
other	Ground